

# CONSOLE WITH GAUGES KIT



**P/N 2881843-156, 2883447-156**

## APPLICATION

Indian® Heavy Weight with Infotainment

### NOTE

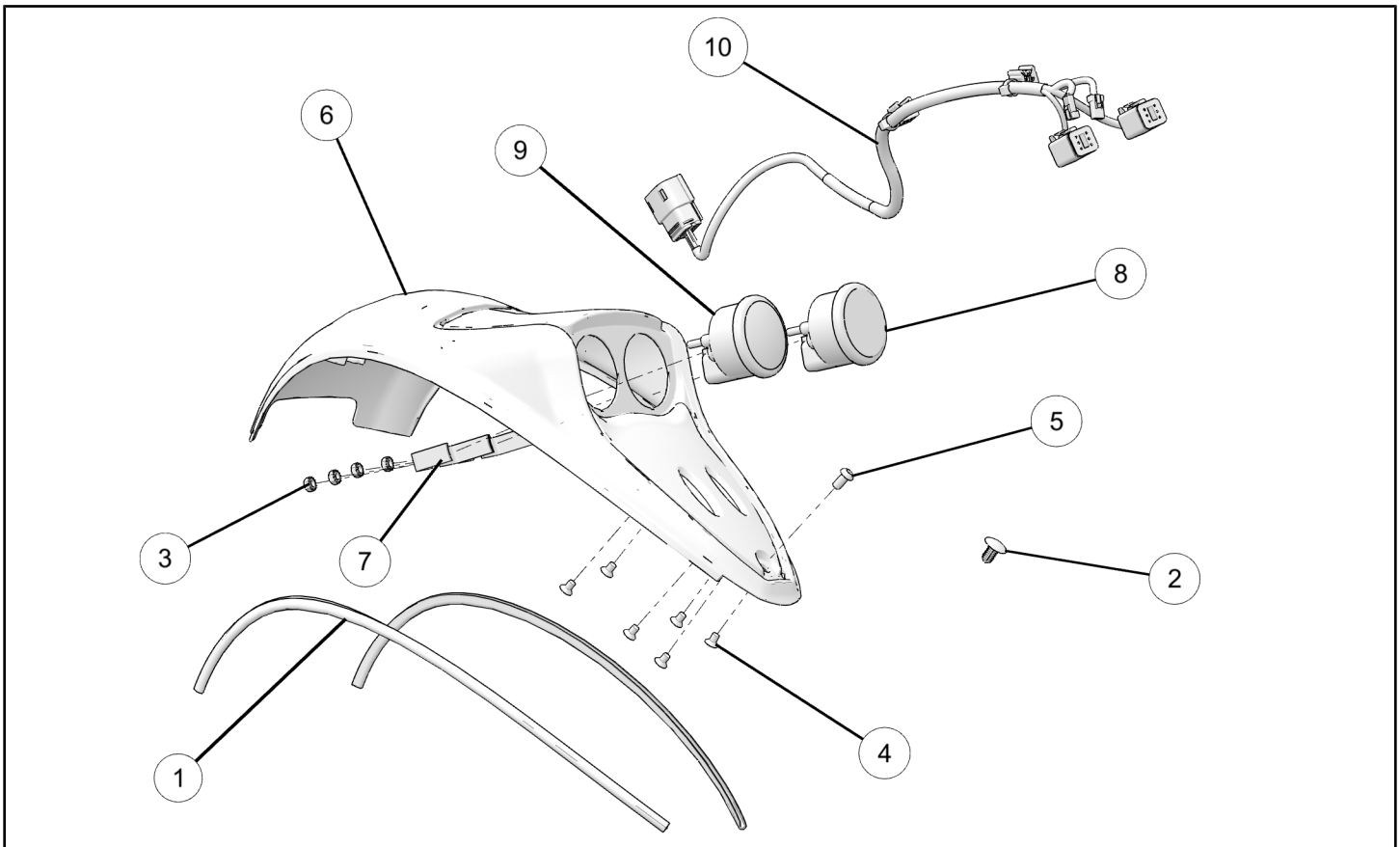
To complete this installation, the additional kits are needed:  
Applique Kit, Console, Gauges - PN 2881847-XX in optional color

## BEFORE YOU BEGIN

Read these instructions and check to be sure all parts and tools are accounted for. Please retain these installation instructions for future reference and parts ordering information.

## KIT CONTENTS

This Kit includes:



### NOTE

XXX = Indian® Color Code (For Example 166 = Black)

REF	QTY	PART DESCRIPTION	PART NUMBER
1	2	Trim Edge, Console, 450 mm	8360133
2	1	Clip, Plastic, Dart, Nylon	7670088

REF	QTY	PART DESCRIPTION	PART NUMBER
3	4	Hex Nut - 8 X 32	7547613
4	6	Screw Flange head - M5 X 0.8 X 8	7519876
5	1	Screw - Hex Button Head - M6 X 1.0 X 12	7519000
6	1	Console, Outer, ZN (Kit PN 2881843-156) Console, Outer, ZN, Chrome (Kit PN 2883447-156)	5633477 563477-156
7	2	Fuel Gauge Bracket	5258186
8	1	Gauge, Volt, Indian, Beige (Kit PN 2881843-156) Gauge, Volt, Indian, Black (Kit PN 2883447-156)	3280639 3280720
9	1	Gauge, Fuel, Indian, Beige (Kit PN 2881843-516) Gauge, Fuel, Indian, Black (Kit PN 2883447-156)	3280668 3280721
10	1	Harness, Console, 7"	2413261
	1	Instructions	9926958

## TOOLS REQUIRED

- Safety Glasses
- Socket Set, Metric
- Socket Set, Hex Bit, Metric
- Socket Set, Torx® Bit
- Torque Wrench

## IMPORTANT

Your Indian Console With Gauges Kit is exclusively designed for your vehicle. Please read the installation instructions thoroughly before beginning. Installation is easier if the vehicle is clean and free of debris. For your safety, and to ensure a satisfactory installation, perform all installation steps correctly in the sequence shown.

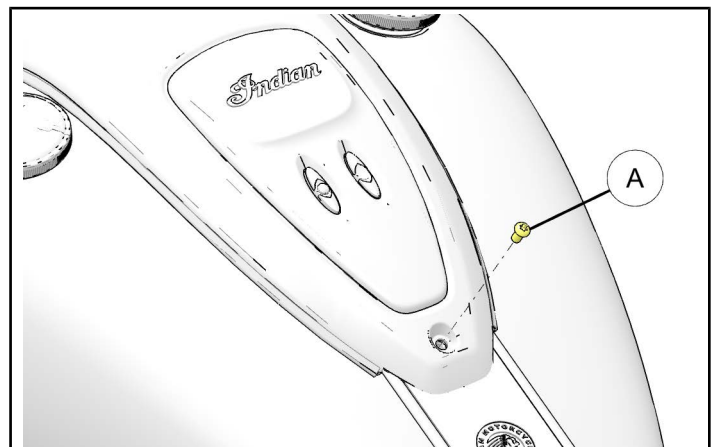
## ASSEMBLY TIME

Approximately 48 minutes

## INSTALLATION INSTRUCTIONS

### VEHICLE PREPARATION INSTRUCTIONS

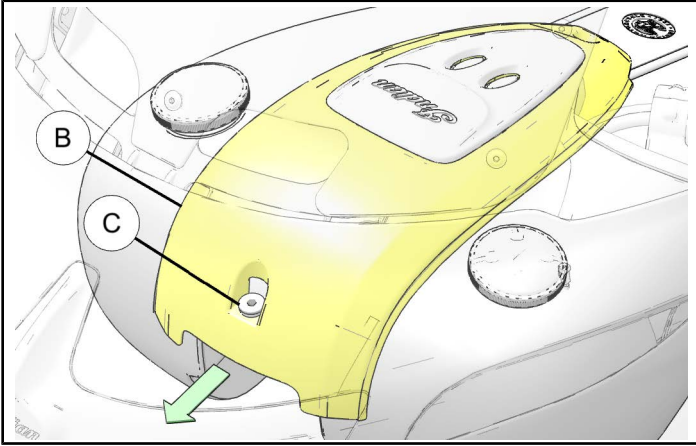
1. Turn key or ignition switch to "OFF" position and remove key. If equipped with keyless fob, remove fob from proximity of vehicle.
2. Ensure motorcycle is parked on a flat surface, kickstand is fully extended, and vehicle is stable prior to installation.
2. Remove and discard rear console mounting screw (A).



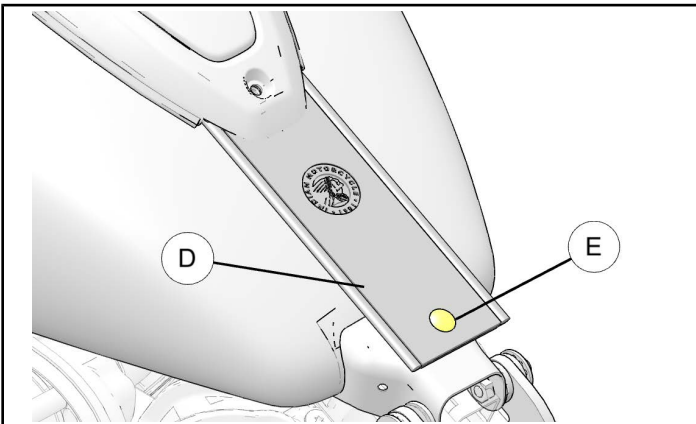
### REMOVAL

1. Remove seat as per owner's manual.

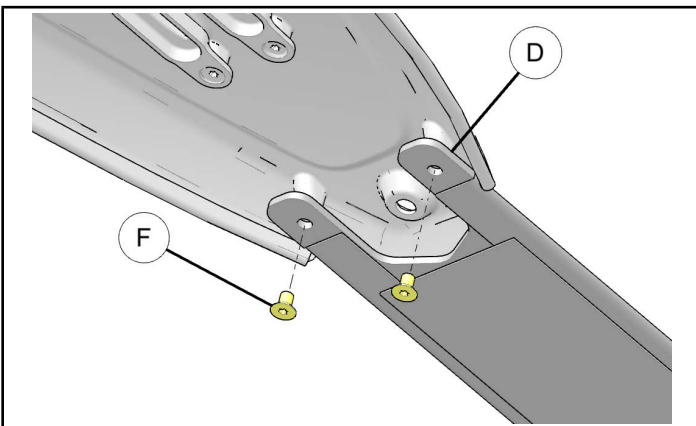
- Turn handlebars and pull front of the console **B** forward to release it from grommet **C** at front mounting location.



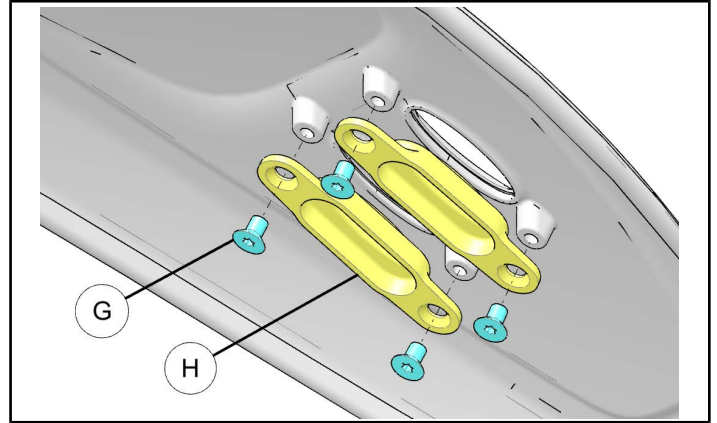
- Unplug harnesses (switches). Remove back of leather strap **D** from plastic retainer **E** on fuel tank as if removing a shirt button. Remove console from motorcycle and place on a cloth to protect from damage.



- Remove two screws **F** and remove leather tank strap **D** from back of console.

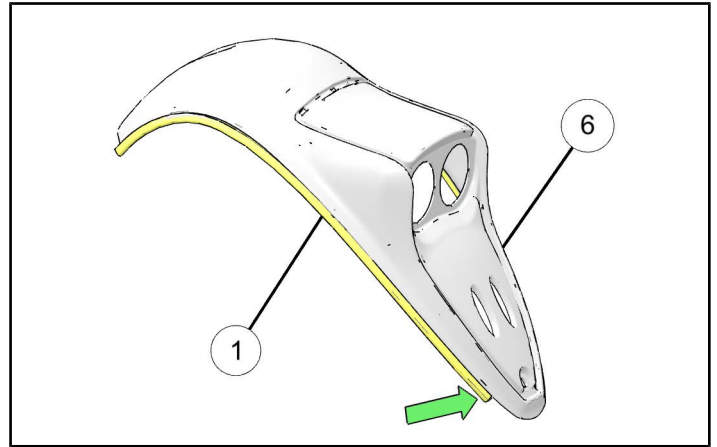


- Make note of switch locations. Remove four screws **G** and remove switches and/or blanks **H** from underside of console.



## INSTALLATION

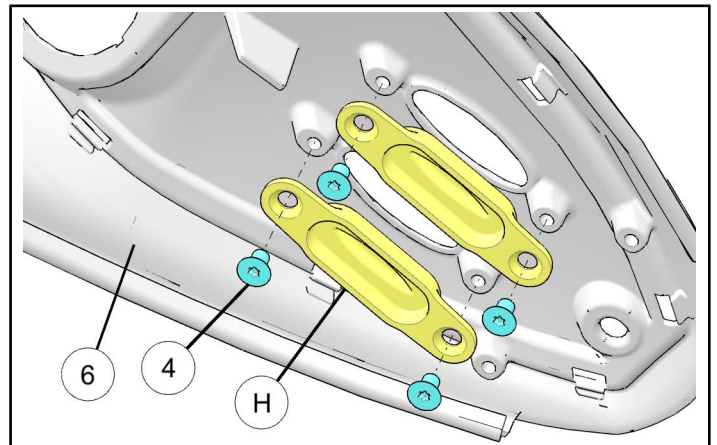
- Install trim **1** along edges of new console **6**. Start at back edge, at cutout for leather strap, and move forwards.



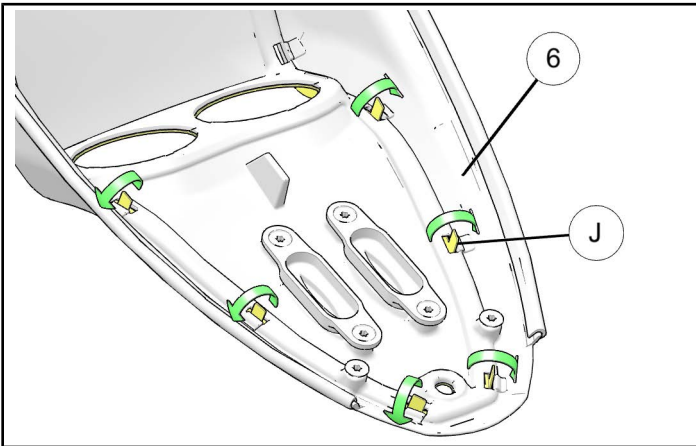
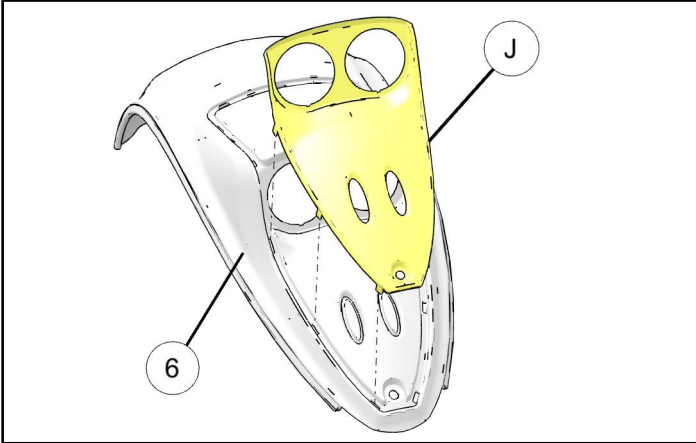
- Install switches/blanks **H** (removed in **Step 6** of **Removal** section) to new console **6**. Use four new screws **4** and torque to specification.

## TORQUE

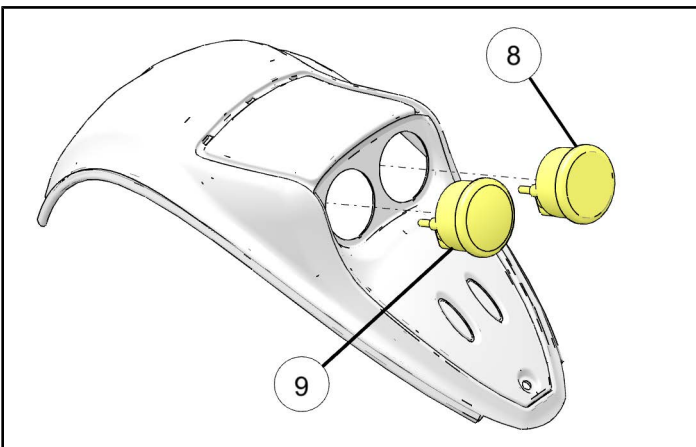
20 in. lbs. (2 Nm)



3. Install lower applique ① from kit PN 2881847-XX onto console ⑥. Tabs on applique fit into slots on console. Ensure openings for switches are properly aligned and bend tabs of applique outward onto backside of console.



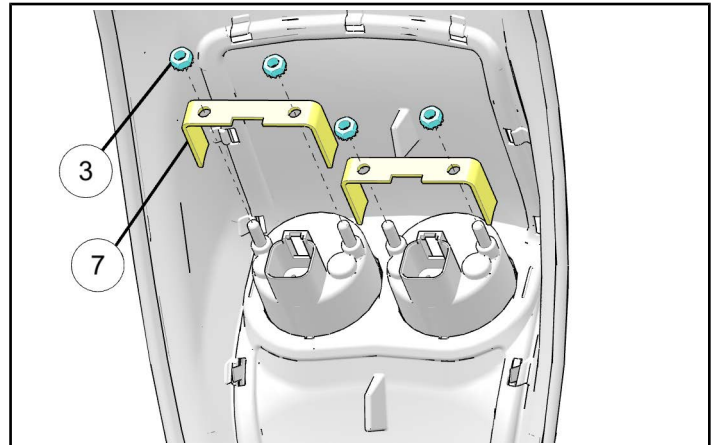
4. Install gauges. Fuel gauge ⑨ installs in left hand opening when A-side of the console is viewed from above, and voltage gauge ⑧ installs in right opening.



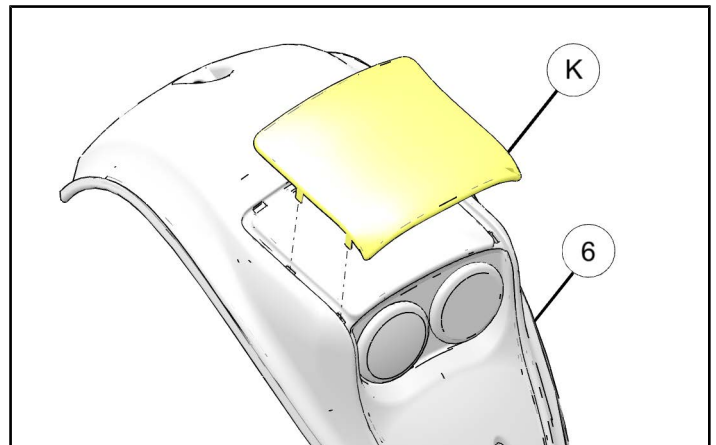
5. Use new brackets ⑦ and nuts ③ to secure gauges from backside of console. Torque nuts to specification.

### TORQUE

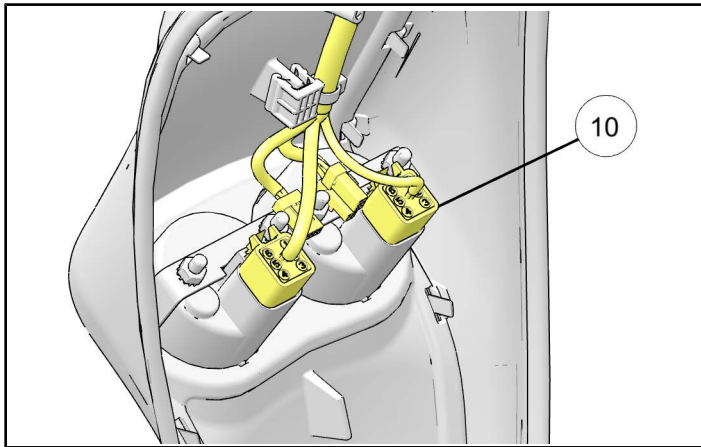
10 in. lbs (1 Nm)



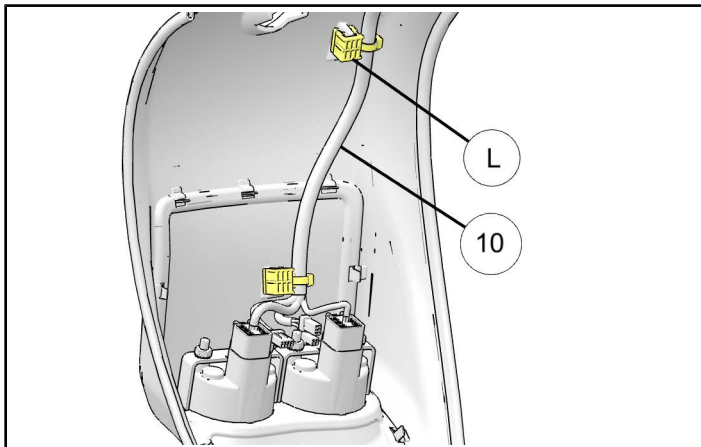
6. Install new upper applique ① from kit PN 2881847-XX onto console ⑥ by first removing backing paper from adhesive foam on inside of part. Tabs on applique fit into slots on console. Use tabs to guide part into place until it is fully seated, and then apply even pressure, being careful not to dent part.



7. Install harness ⑩. If applicable, connect leads on heated grip switch and saddlebag lock switch. Plug in fuel and volt meter to larger connectors on harness; connectors are interchangeable.

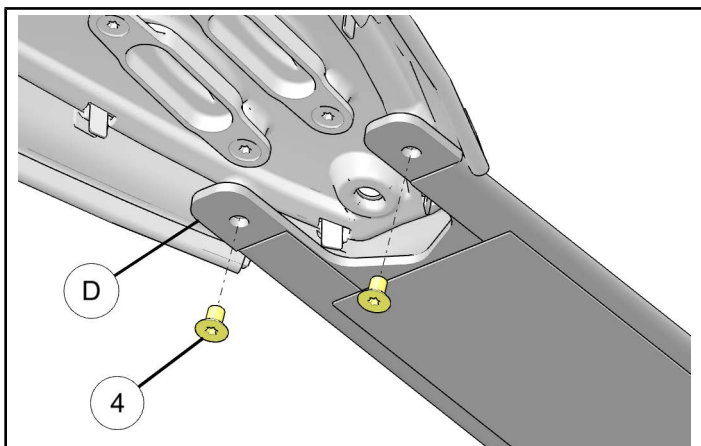


8. Press edge clips ① onto ribs on backside of console as shown.

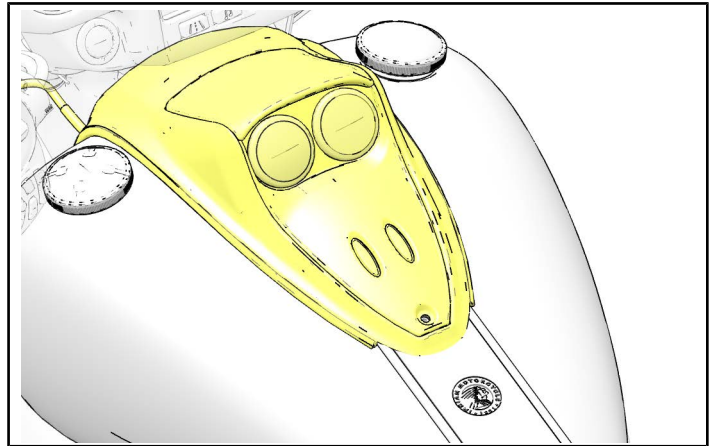


9. Use two new screws ④ to attach leather strap ① to console. Torque screws to specification.

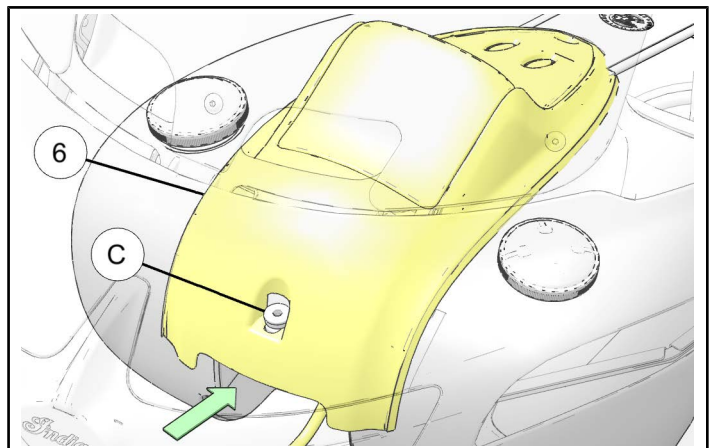
**TORQUE**  
20 in. lbs. (2 Nm)



10. Being careful not to damage paint on fuel tank, set console onto tank. Ensure console harness, fuel line and vent lines are routed out of front of console without being pinched.

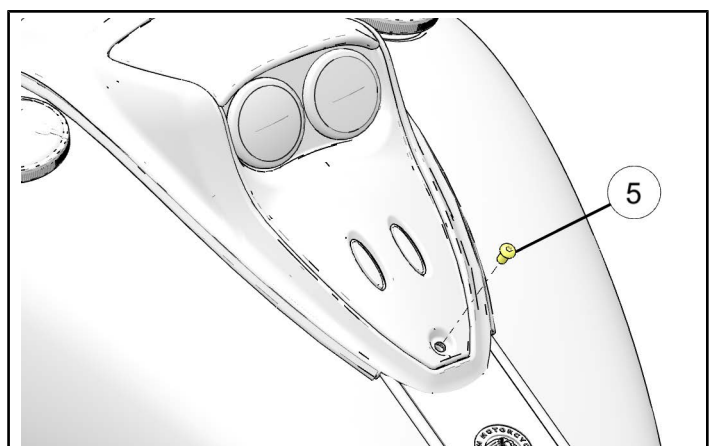


11. Push console ⑥ rearward onto front mounting grommet ③ until fully seated.

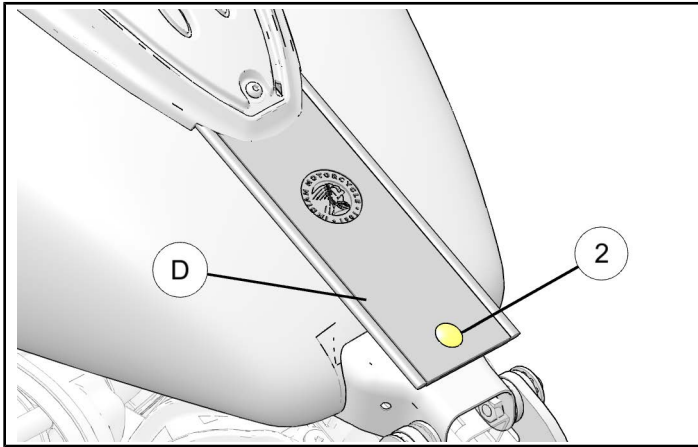


12. Install new rear mounting screw ⑤. Adjust console front to rear to align screw hole. Torque screw to specification.

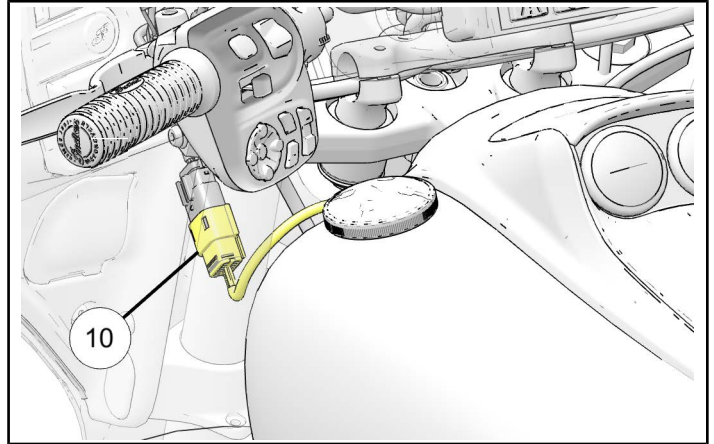
**TORQUE**  
84 in. lbs. (9.5 Nm)



13. Fasten tank strap ①, (removed in **Step 4** in **Removal** section), to plastic retainer at rear of fuel tank. Pull leather strap over plastic retainer as if buttoning a shirt. If plastic retainer was damaged, remove old part completely from hole, and use new clip ②.



14. Attach 16-pin connector at end of console harness ⑩ to open 16-pin connector near front of left fork tube.



15. Replace seat as per owner's manual.

## FEEDBACK FORM

A feedback form has been created for the installer to provide any comments, questions or concerns about the installation instructions. The form is viewable on mobile devices by scanning the QR code or by clicking [HERE](#) if viewing on a PC.

### FEEDBACK FORM

