

# QUICK RELEASE TRUNK KIT



**P/N 2884046-XXX**

## APPLICATION

2014 and newer Indian® Chieftain® and Indian Springfield® only.

Verify accessory fitment at [www.indianmotorcycle.com](http://www.indianmotorcycle.com).

### IMPORTANT

This kit is not compatible with the Pinnacle Solo Luggage Rack Kit PN 2883403-XXX

## BEFORE YOU BEGIN

Read these instructions and check to be sure all parts and tools are accounted for. Please retain these installation instructions for future reference and parts ordering information.

## REQUIRED SOLD SEPARATELY

The Indian Quick Release Trunk Kit contains parts for installation of the Indian Quick Release Trunk Kit only. Installation of the following addition kit is also required (sold separately):

- Trunk Frame Kit **PN 2884048-XXX**

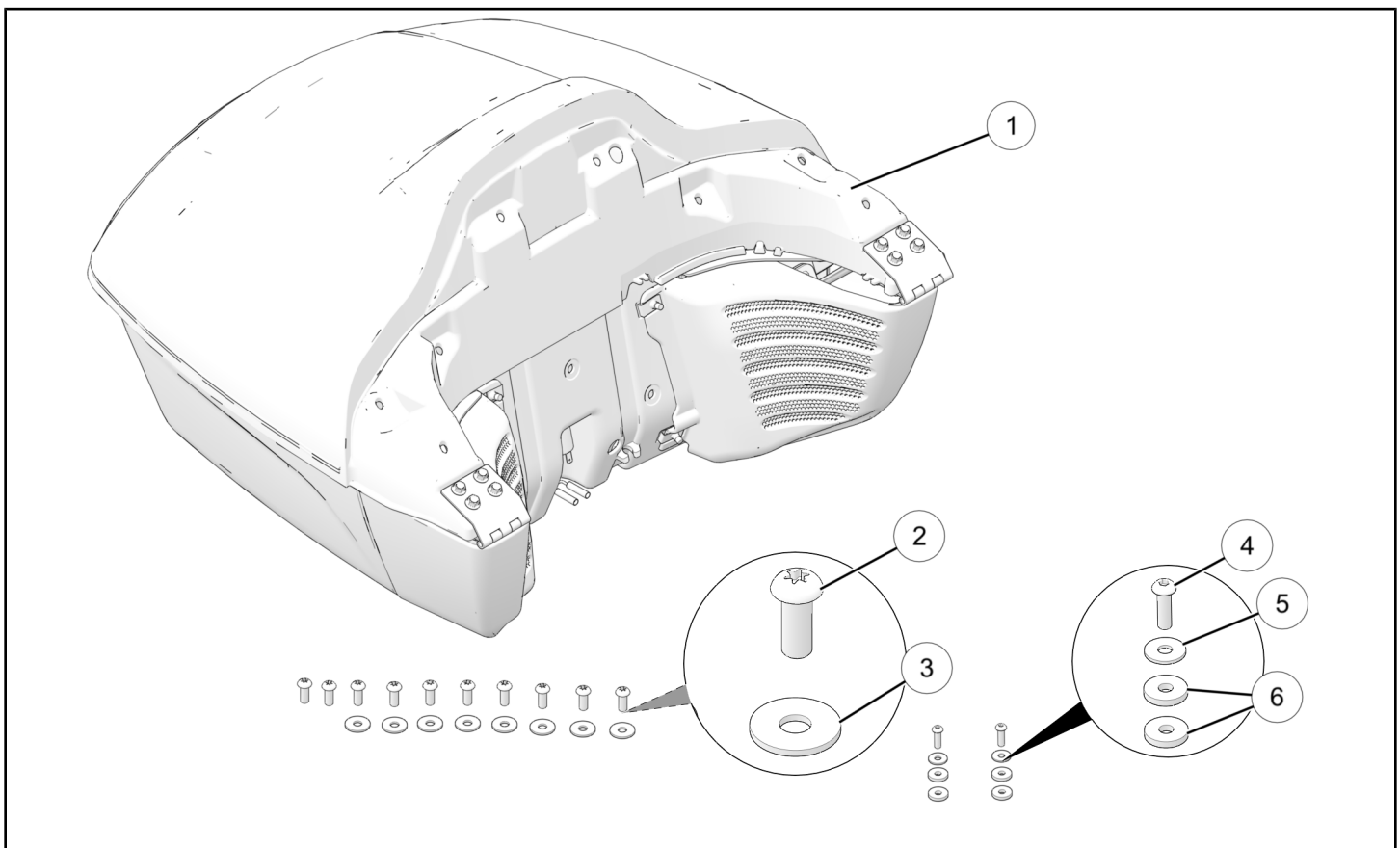
MY 14-18	MY 19 and newer
Trunk Installation Kit <b>PN 2884008</b>	Trunk Installation Kit <b>PN 2884007</b>

- Trunk Backrest Pad Kit **PN 2880284-XX, 2881009-XXX**

### NOTE

XXX = Indian Motorcycle® color code (For example: 266 = Black)

## KIT CONTENTS



### NOTE

XXX = Indian Motorcycle® color code (For example: 266 = Black)

### NOTE

Contact your **Authorized Indian Motorcycle® Dealer** for serviceable parts not identified below.

REF	QTY	PART DESCRIPTION	P/N AVAILABLE SEPARATELY
1	1	Assembly, Trunk	-
2	10	Screw, Torx® Bit Head, M8 X 1.25 X 20	7520127
3	8	Washer, Steel, M8	7556459
4	2	Screw, Hex Bit Head, M6 X 1.0 X 20	7517782
5	2	Washer, 6.4 X 18 X 1.6	7556064
6	4	Washer, Rubber, 6.35 X 19 X 3.2	5814206
	1	Instructions	9929357

## TOOLS REQUIRED

- Safety Glasses
- Socket Set, Torx® Bit
- Socket Set, Hex Bit, Metric
- Torque Wrench

## IMPORTANT

Your Indian Quick Release Trunk Kit is exclusively designed for your vehicle. Please read the installation instructions thoroughly before beginning. Installation is easier if the vehicle is clean and free of debris. For your safety, and to ensure a satisfactory installation, perform all installation steps correctly in the sequence shown.

## INSTALLATION INSTRUCTIONS

### VEHICLE PREPARATION

#### GENERAL

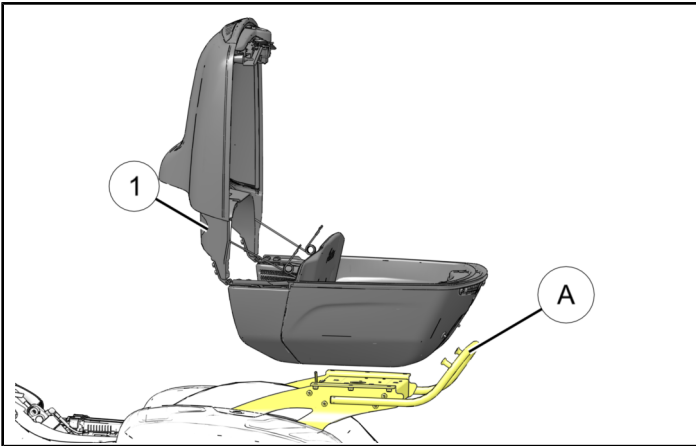
1. Turn key or ignition switch to "OFF" position and remove key. If equipped with keyless fob, remove fob from proximity of vehicle.
2. Ensure motorcycle is parked on a flat surface, kickstand is fully extended, and vehicle is stable prior to installation.
3. Install trunk mounting spools from **Trunk Installation Kit PN 2884007 or 2884008**
4. Install **Trunk Frame Kit PN 2884048-XXX** onto bike.

### ACCESSORY INSTALLATION

1. Set trunk assembly ① onto frame ④.

#### TIP

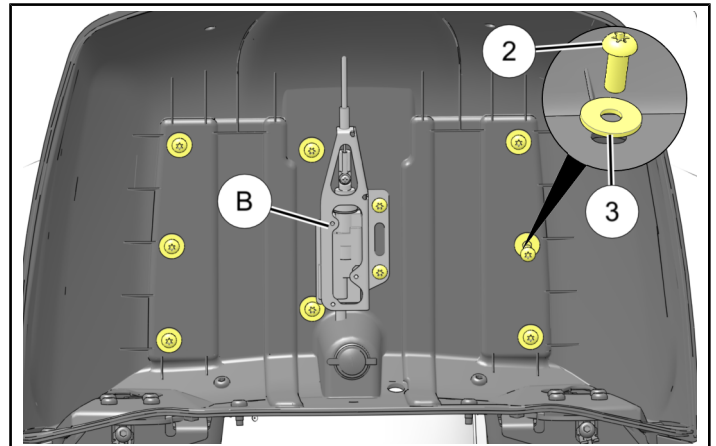
Have a second person hold the bin in place for steps 1 and 2.



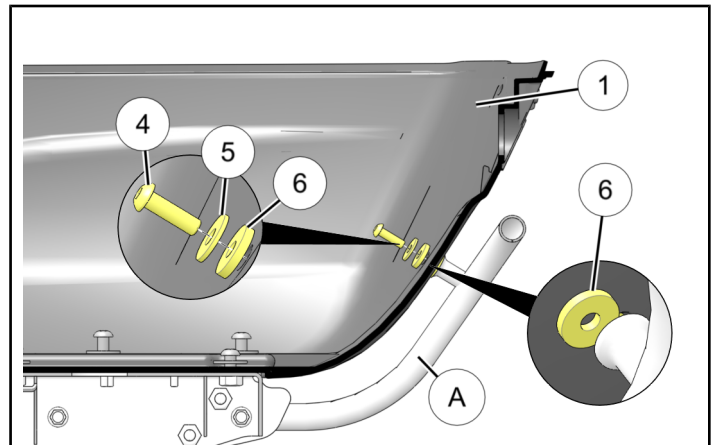
2. Loosely install ten screws ② and eight washers ③. **DO NOT** torque screws at this time.

#### NOTE

Two screws ② that mount into lock motor bracket ⑧ do not require washers.



3. Slide rubber washer ⑥ between post on rear bumper frame ④ and lower trunk ①. Loosely install screw ④, steel washer ⑤, and rubber washer ⑥. **DO NOT** torque fastener at this time.

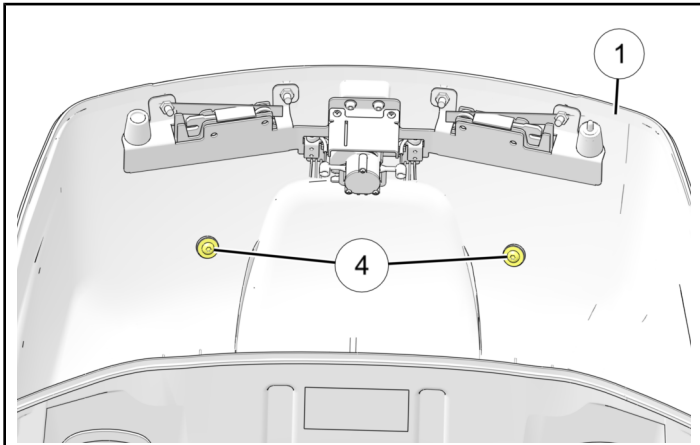


4. Repeat previous step for opposite bumper frame post.

5. Tighten two bumper screws ④ to specification.

### TORQUE

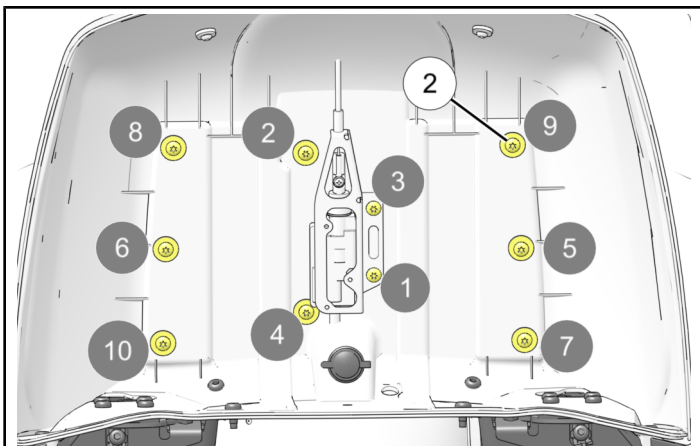
12 in. lbs. (1.5 Nm)



6. Torque all screws in base to specification in sequence shown.

### TORQUE

13 ft. lbs. (17.5 Nm)



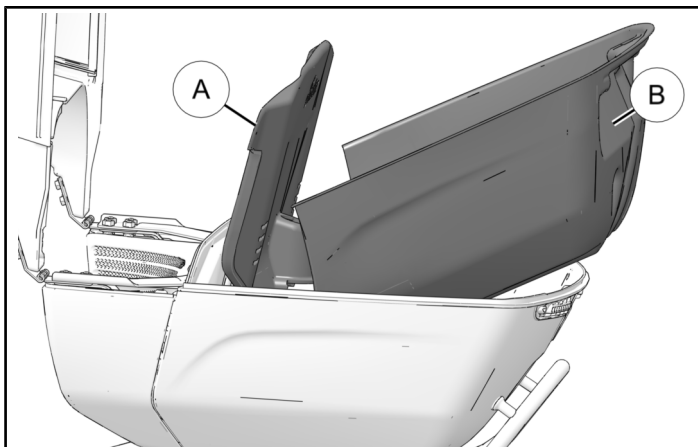
## FEEDBACK FORM

A feedback form has been created for the installer to provide any comments, questions or concerns about the installation instructions. The form is viewable on mobile devices by scanning the QR code or by clicking [HERE](#) if viewing on a PC.

## VEHICLE REASSEMBLY

### COMPLETE INSTALLATION

1. Complete trunk installation using instructions provided in *Trunk Installation Kit PN 2884007 or 2884008*.
2. Install backrest pads using instructions provided in *Trunk Backrest Kit PN 2880284-XX or 2881009-XXX*
3. Once completed, install trunk liner inserts ①, then ②.



### FEEDBACK FORM

