

WINDSCREEN HARDWARE KIT



P/N 2881476

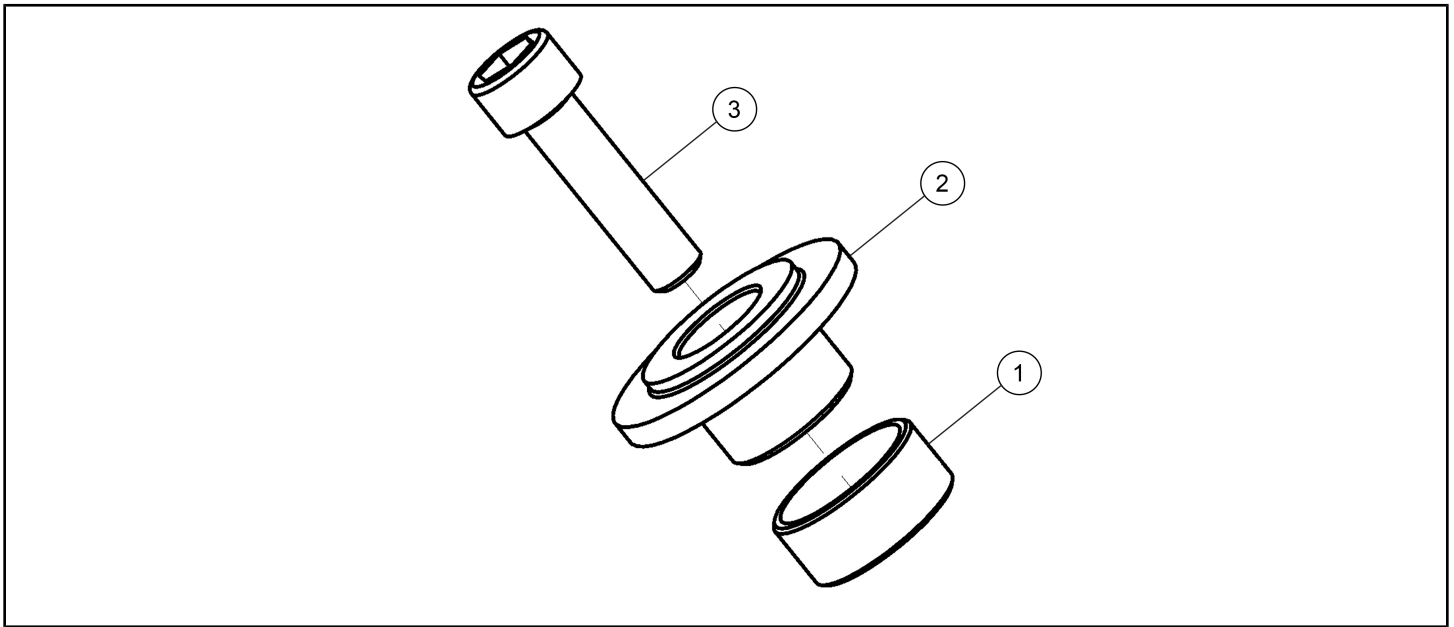
APPLICATION

2014–2016 Indian Non Fairing (Cruiser) Motorcycle with the Thunderstroke 111

BEFORE YOU BEGIN

Read these instructions and check to be sure all parts and tools are accounted for in package. Please retain these installation instructions for future reference and parts ordering information.

KIT CONTENTS



REF	QUANTITY	PART DESCRIPTION	PART NUMBER
1	2	Bushing, Crusier Windshield	5138827
2	2	Spacer - Windshield	5139763
3	2	Screw - SH - M8x1.25x30	7520004
	1	Instructions	9926373

TOOLS NEEDED

- Protective Cloth

Motorcycles without Top Mounting Spacer for Windscreen

- Torque Wrench
- Socket Wrench
- Hex Socket

APPROXIMATE ASSEMBLY TIME

5 minutes

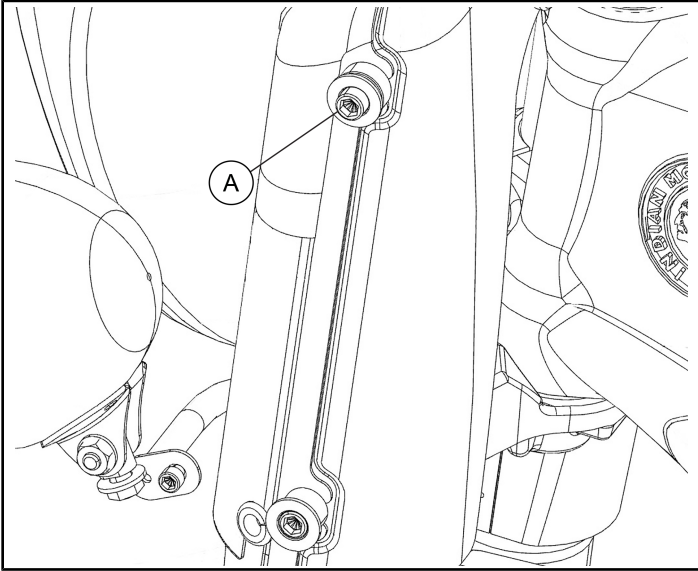
IMPORTANT

Your Indian WINDSCREEN HARDWARE KIT is exclusively designed for your vehicle. Please read the installation instructions thoroughly before beginning. Installation is easier if the vehicle is clean and free of debris. For your safety, and to ensure a satisfactory installation, perform all installation steps correctly in the sequence shown.

INSTALLATION INSTRUCTIONS

Removal

1. Remove screws (A) and washers from both sides of top of the nacelle.



Installation

1. Install new spacer (2) with bushing (1) using included screws (3).

TORQUE

18 ft. lbs. (24.4 Nm)

