

# Honda Swingarm 2" Receiver

Product Instructions | Part No: 85150



## Kit contents:

Item	Qty	Part Description
1	1	Honda Receiver Hitch
2	1	Sq. U-Bolt, Zinc Plated, 1/2-13 x 2.5"
3	2	Hex Locknut, Zinc Plated, 1/2-13
4	2	Flat Washer, Zinc Plated, 1/2"
5	1	Hex Bolt, Zinc Plated, 3/4-10 x 1.5"
6	2	Flat Washer, Zinc Plated, 3/4"
7	1	Lock Washer, Zinc Plated, 3/4"
8	1	Hitch Pin & R-Clip, Zinc Plated, 5/8" x 3.0"
9	1	Instruction Guide (not shown)

## Hitch Mounting Instructions:

**Note: If any hardware is missing, do not return to the store. Call us to help, Toll Free 1-877-956-5746.**

1. Place hitch (item #1) as shown above over the frame of the ATV rear suspension. **Note, installation may be easier if certain items are removed from vehicle first.**
2. Install u-bolt (item #2) from under the frame and thru the hitch plate. Fasten u-bolt threads using 1/2" washers (item #4) and secure using the 1/2" hex nuts (item #3).
3. Install 3/4" bolt (item #5) thru 3/4" lock washer (item #7) then thru 3/4" flat washer (item #6) and insert thru vehicle hitch hole from underneath and thread into the receiver hitch.
4. Tighten all hardware to specifications.

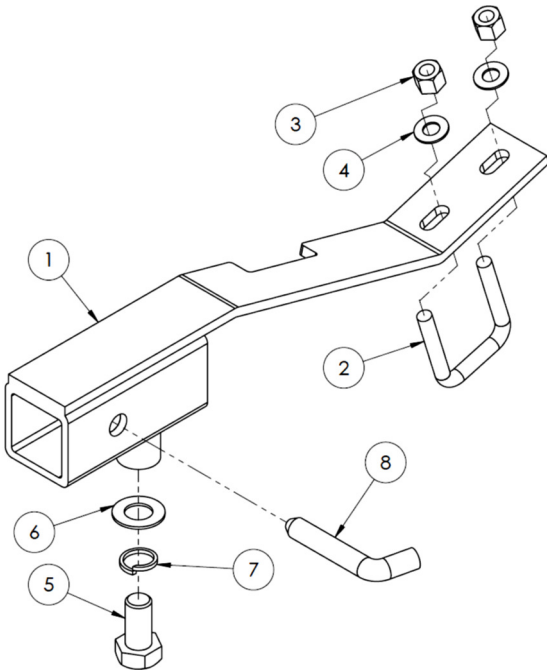
**WARNING:** Do not over tighten hardware or damage can occur.



**1/2" FASTENER TORQUE:**  
50 ft. lbs. (67 Nm)



**3/4" FASTENER TORQUE:**  
125 ft. lbs. (169 Nm)



For additional assistance, please contact Kolpin customer service department at (877) 956-5746 or (763) 478-5800 or email [customerservice@kolpin.com](mailto:customerservice@kolpin.com)

## Use and Care Information:

- Check the accessory mounts frequently and retighten hardware if necessary.
- Replace this accessory with a new one if it is damaged.
- Kolpin hitches are not intended for on-road use.



Kolpin Outdoors, Inc. | 9955 59th Ave N | Plymouth, MN 55442

(877) 956-5746 or (763) 478-5800 | [www.kolpin.com](http://www.kolpin.com) | [customerservice@kolpin.com](mailto:customerservice@kolpin.com)



## **One Year Limited Warranty**

For the period of one (1) year from the purchase date, Kolpin will replace for the original purchaser, free of charge, any part or parts found upon examination by Kolpin to be defective in material, workmanship, or both.

All transportation costs incurred submitting product to Kolpin for warranty consideration must be borne by the purchaser. If Kolpin determines that the product must be returned to the factory for credit, please call 1-877-956-5746 for a Return Merchandise Authorization (RMA) number and shipping instructions.

This warranty does not apply to parts that have been damaged by accident, alteration, abuse, improper maintenance, normal wear, or other causes beyond the manufacturer's control. In order to protect you and your ATV, certain parts of the accessory system and/or hardware are designed to fail when the equipment is over-stressed. Parts that are lost due to loosening and improper maintenance are not covered under warranty. This warranty does not cover removal or reinstallation labor fees of the accessory system and related components.

Peripheral products such as engines, electric motors, and actuators may carry an original manufacturer's warranty. Most hardware is general in nature and is easily obtained locally. Be sure to replace with minimum metric class 8.8 specification.

**Kolpin Outdoors, Inc.**

**Telephone: (763)-478-5800**

**Toll Free: (877)-956-5746**

**Fax Number: (800)-245-7569**

**[www.kolpin.com](http://www.kolpin.com)**

**Email: [customerservice@kolpin.com](mailto:customerservice@kolpin.com)**