

KXP DOUBLE RHINO GRIP

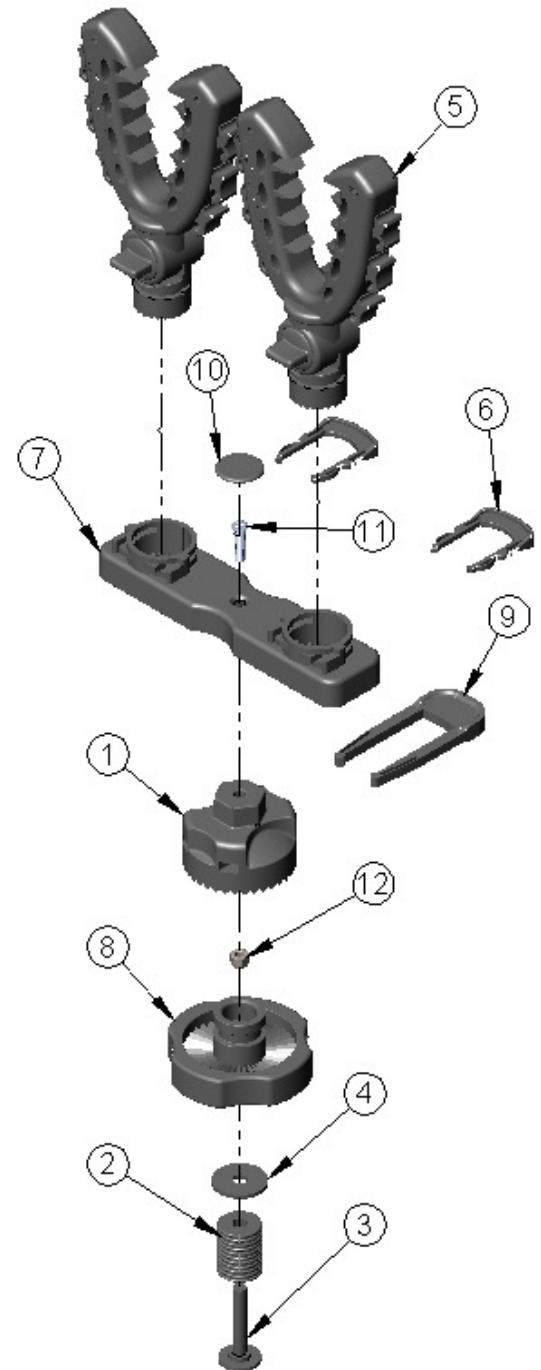
Part No. 21516 / 21517

Model Number 21516 Parts List

ITEM NO.	PART NUMBER	DESCRIPTION	QTY.
1	N/A	Connector	2
2	N/A	Rubber Expander	2
3	N/A	Threaded Rod	2
4	N/A	Nylon Washer	2
5	71511	Rhino Grip XL	4
6	71509	Kwik Clip (Small)	4
7	71503	Doubler Plate	2
8	N/A	KXP Base	2
9	71540	Kwik Clip (Large)	2
10	N/A	Kolpin Logo	6
11	N/A	M6 Flat Head Screw	2
12	N/A	M6 Nylock Nut	2

21516 Assembly:

- Place the rubber expander on the threaded rod. Place the nylon washer on top of the rubber expander and thread the rod into the threaded insert in the bottom of the base.
- * NOTE: the rubber expander for both systems has a counter-bored relief that mates to the threaded rod. Please be sure to install correctly!
- Place the expander in the Lock & Ride hole and twist the base clockwise. As you twist the threaded rod will compress the rubber expander and secure the grip to your Sportsman ATV Rack.
- Place the connector into the doubler plate.
- Place the M6 black nylon locking nut into the bottom of the connector, so that the nylon part of the nut is facing out towards you.
- Take the flat head machine screw and tipping the doubler plate so that the connector is facing upwards; start twisting the machine screw until it engages the nut in the connector. Tighten securely.
- Place the 2 extra Kolpin logos over the flat head screw.
- Insert the doubler plate assembly into the mounting base, already attached to ATV, and position as desired.
- Secure the double plate assembly to the mounting base using the Kwik clip provided.
- Insert the Rhino Grips in the desired position on the doubler plate and secure using the Kwik Clips provided. NOTE: Grip can rotate 360° to accommodate any angle, and the grip can tilt 0° to 180° at 45° increments.
- Repeat on opposite side of vehicle.



**Model Number 21517
Parts List**

ITEM NO.	PART NUMBER	DESCRIPTION	QTY.
1	N/A	Connector	2
2	N/A	Rubber Expander (Large)	2
3	N/A	Threaded Rod	2
4	N/A	Nylon Washer	2
5	71511	Rhino Grip XL	4
6	71509	Kwik Clip (Small)	4
7	71503	Doubler Plate	2
8	N/A	KXP Base	2
9	71540	Kwik Clip (Large)	2
10	N/A	Kolpin Logo	6
11	N/A	M6 Flat Head Screw	2
12	N/A	M6 Nylock Nut	2
13	N/A	Plastic Spacer	2
14	N/A	Rubber Expander (Small)	2

21517 Assembly:

1. Place the smaller rubber expander on the threaded rod.
* NOTE: the rubber expander for both systems has a counter-bored relief that mates to the threaded rod. Please be sure to install correctly!
2. Slide the plastic spacer onto the threaded rod.
3. Slide the larger rubber expander onto the rod.
4. Place the nylon washer on top of the large rubber expander and thread the rod into the threaded insert in the bottom of the base.
5. Place the connector into the doubler plate.
6. Place the M6 black nylon locking nut into the bottom of the connector, so that the nylon part of the nut is facing out towards you.
7. Take the flat head machine screw and tipping the doubler plate so that the connector is facing upwards; start twisting the machine screw until it engages the nut in the connector. Tighten securely.
8. Place the 2 extra Kolpin logos over the flat head screw.
9. Insert the doubler plate assembly into the mounting base, already attached to ATV, and position as desired.
10. Secure the double plate assembly to the mounting base using the Kwik clip provided.
11. Insert the Rhino Grips in the desired position on the doubler plate and secure using the Kwik Clips provided. NOTE: Grip can rotate 360° to accommodate any angle, and the grip can tilt 0° to 180° at 45° increments.
12. Repeat on opposite side of vehicle.

