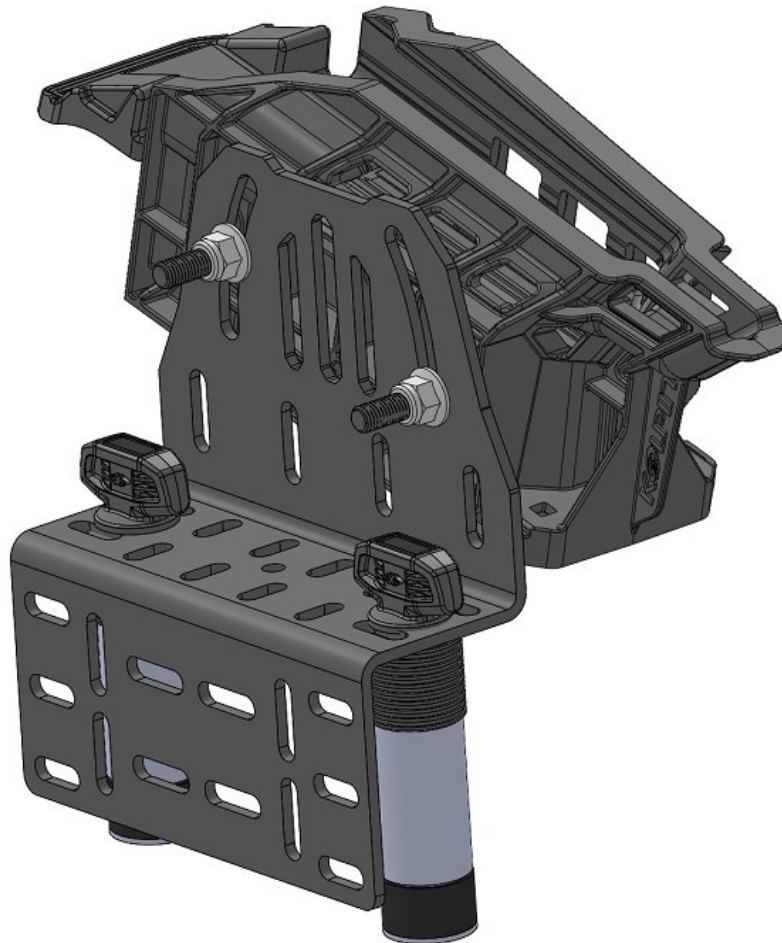


Kolpin UTV KXP Stronghold™ Mount Kit

Product Installation Instructions

Part No: 30815



Kolpin Outdoors, Inc.

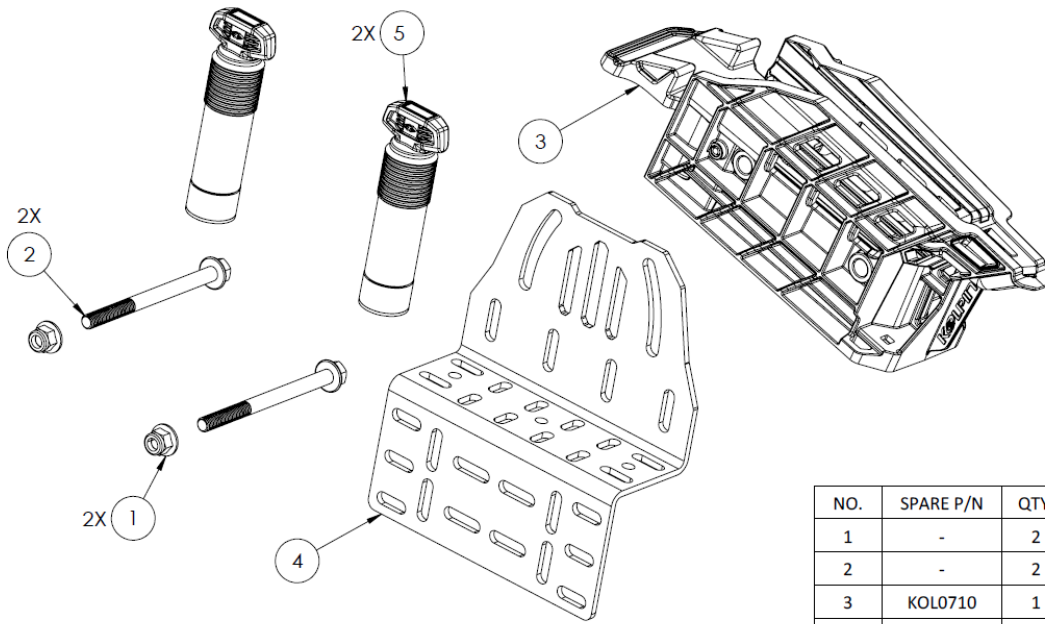
9955 59th Ave N, Plymouth, MN 55442

Phone #: (877) 956-5746 or (763) 478-5800

www.kolpin.com

customerservice@kolpin.com

Kit contents



| NO. | SPARE P/N | QTY. | DESCRIPTION |
|-----|-----------|------|-------------------------------|
| 1 | - | 2 | M10-1.5 NYLOC FLANGE LOCK NUT |
| 2 | - | 2 | M10-1.5 X 132 MM LG HEX BOLT |
| 3 | KOL0710 | 1 | BRACKET ASSEMBLY |
| 4 | KOL0813 | 1 | BRACKET |
| 5 | 98510 | 2 | KXP PLUNGER UTV |

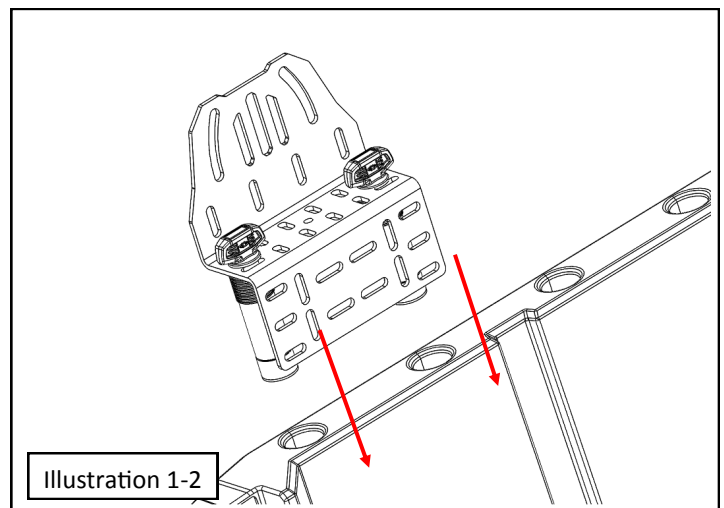
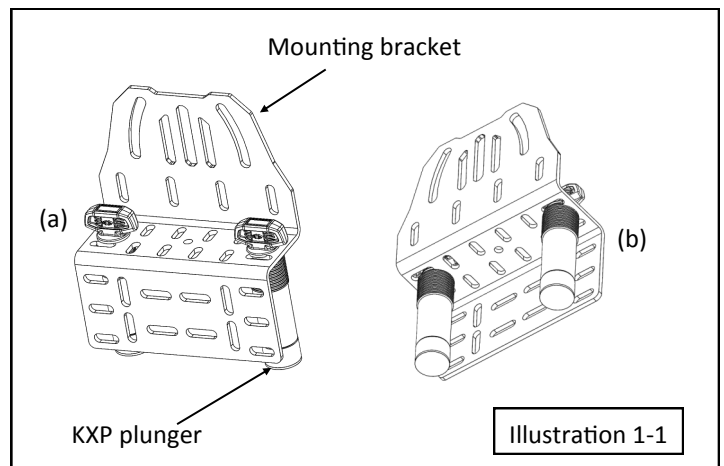
Install Preparation:

1. Remove the bracket assembly (item 3) and mounting bracket (item 4) from packaging. Verify that the brackets are in good condition and that all the hardware is present.

Note: If any hardware is missing, do not return to the store. Call us to help, Toll Free 1-877-956-5746.

30815 Polaris UTV Lock & Ride Bed Mounting:

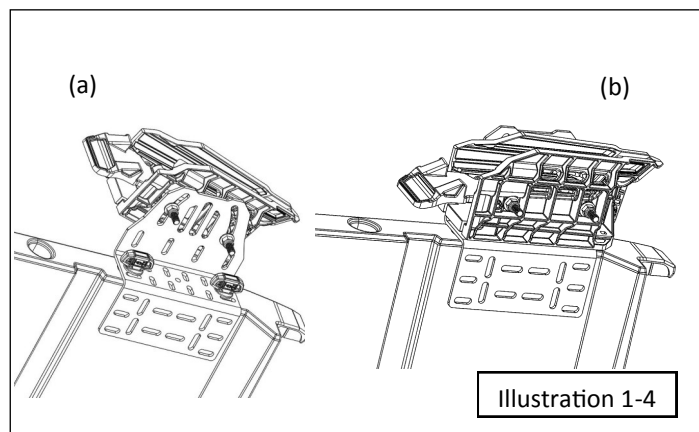
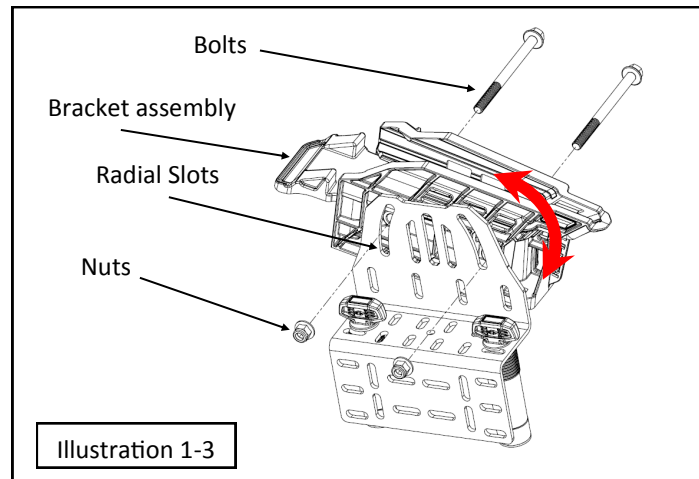
1. The Kolpin UTV Universal Stronghold™ mount kit will fit Polaris UTV beds with Lock & Ride features. *Note, installation may be easier if certain items are removed from vehicle first.*
2. The Kolpin UTV KXP Stronghold™ mount kit can be installed in many mounting positions on your UTV bed.
3. Attach the two KXP Plunger-UTV (item 5) to the mounting bracket (item 4) as shown. (See Illustration 1-1a and 1-1b). *Note, do not tighten turn knobs at this step.*
4. Position and place the mounting bracket assembly into the UTV bed Lock & Ride holes as shown. Tighten the KXP turn knobs to secure the assembly to the bed. (See Illustration 1-2).



30815 Polaris UTV Lock & Ride Bed Mounting (cont'd):

5. Position the bracket assembly (item 3) to the mounting bracket (item 4). Secure the bracket to the mount by using the two M10 bolts (item 2) and fasten with M10 nuts (item 1) as shown. The bracket can be adjusted to a specific angular position via the radial slot. (See Illustration 1-3). Once positions are selected, tighten all hardware. *Note, bolt length may need to be trimmed.*
6. The bracket assembly (item 3) can be fastened to the mounting bracket (item 4) in many orientations as shown. (See Illustration 1-4).

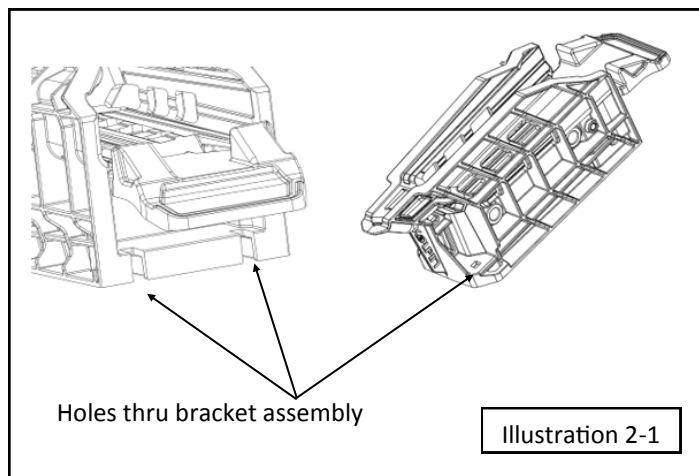
WARNING: Do not over tighten hardware or damage can occur.



30815 Flat Surface Mounting:

1. The Kolpin UTV KXP Stronghold™ mount kit can be installed on any drillable flat surface using the bracket assembly (item 3) by itself.
2. Position bracket assembly (item 3) on flat surface and mark where holes can be drilled. Drill holes into flat surface and thru. Insert bolts with washers (not provided) thru the holes in bracket assembly and fasten with nuts (not provided). Tighten securely. (See Illustration 2-1).

WARNING: Do not over tighten hardware or damage can occur.



WARNING: Make sure the Kolpin Gun Boot does not extend below or outside the vehicle frame as severe damage could result to your firearm inside if obstructions are encountered.

CAUTION: Never install the mounting bracket in a position that will allow the firearm inside the Gun Boot to face the operator and/or passengers.

CAUTION: Always make sure your firearm is unloaded before placing it in your Gun Boot.

For additional assistance, please contact Kolpin customer service department at (877) 956-5746 or (763) 478-5800 or email customerservice@kolpin.com