



Navigator Box Installation Instructions

Stock No.: 93405

Please read and understand these instructions completely before installation to avoid injury to yourself or damage to the vehicle or accessory.

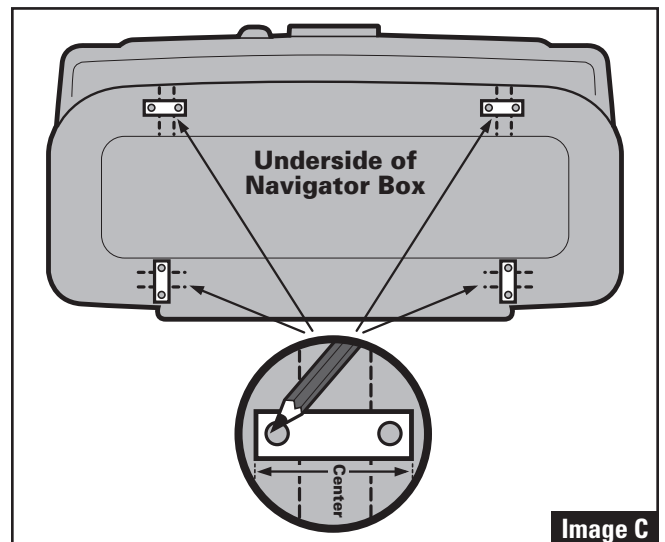
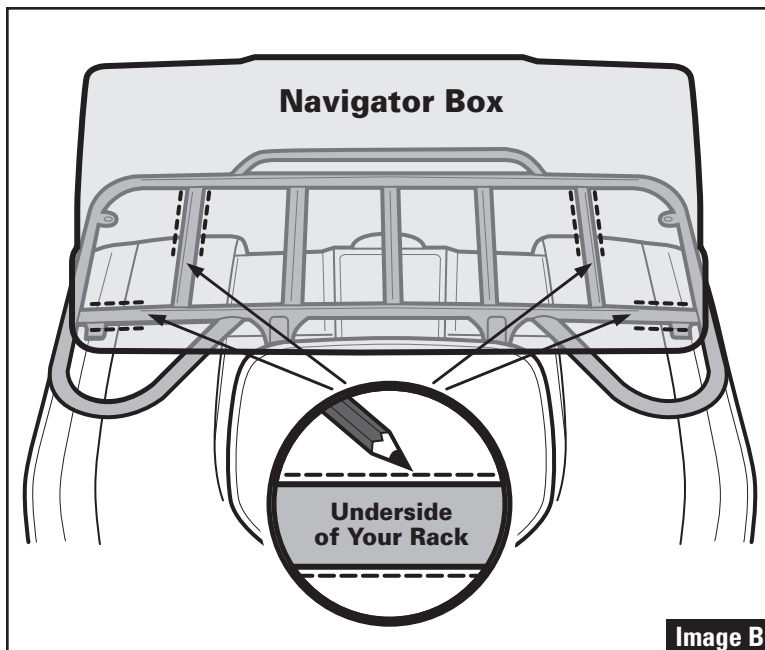
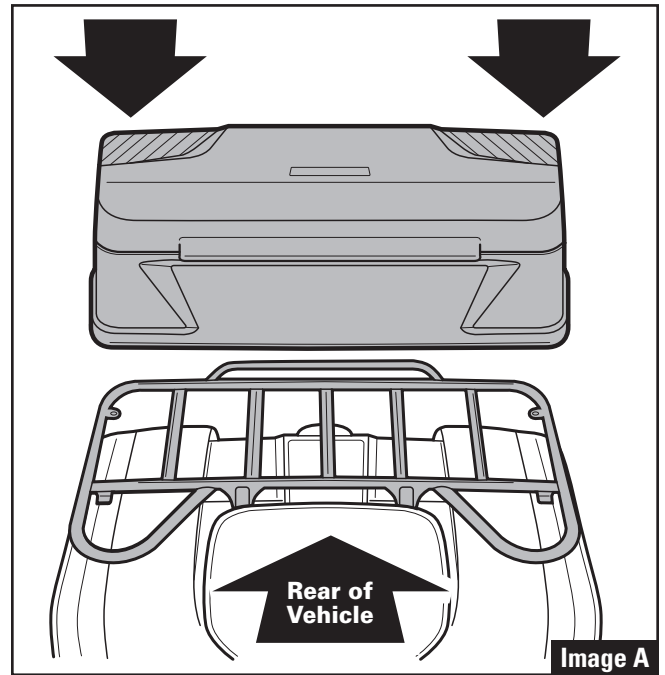
Dealer: These instructions contain important information for future reference and must be given to the customer at time of purchase or upon completion of installation.

Parts List:

ITEM	PART NAME	PART NO.	DESCRIPTION (60-93405)	QTY.
1	Box	100-93405	Navigator Box assembly	1
2	U-Bolt	72-0001	1/4" x 1-1/8" x 2" U-bolt, zinc-plated	4
3	U-Bolt Plate	72-0002	2" x 3/4" U-bolt plate, zinc-plated	4
4	Washer	76-0035	1/4" bonded sealing washer, zinc-plated	8
5	Washer	76-0041	1/4" lock washer, zinc-plated	8
6	Nut	77-0017	1/4"-20 finish nut, zinc plated	8
7	Thread Cap	56-0008	Black thread caps	8

Please Note: The Navigator Box was designed to fit most ATV rack systems. These particular instructions demonstrate mounting this accessory on a tubular-type rack system. Because rack systems may vary in size and design, use your best judgement in determining where to locate the mounting hardware in order to provide a secure and stable installation.

- 1) Position your Navigator Box on the rear rack of your vehicle in your desired location and center as indicated in **Image "A"**.
- 2) Once you have the Navigator Box positioned properly, use a pencil to mark four mounting points. Do this by scribing a line at these locations on each side of the rack as indicated in **Image "B"**.
- 3) After you have marked the four mounting locations, remove the Navigator Box and carefully lay it upside-down on a level surface. Center one of the supplied U-bolt plates on the lines you have just marked. Using the U-bolt plate as a template, mark the two hole locations with a pencil as indicated in **Image "C"**. Repeat this step in all four of your mounting locations.



- 4) Once you have accurately marked both hole locations at all four mounting points, carefully use a 5/16" bit to drill all eight holes as indicated in **Image "D"**.
- 5) Place the Navigator Box back onto your vehicle's rack while feeding the supplied 1/4" x 1-1/8" x 2" U-bolts around the rack and through the holes you have just drilled in the bottom of the box as indicated in **Image "E"**. Repeat this step in all four mounting locations.
- 6) Place the supplied 1/4" bonded sealing washers over the U-bolts by threading them over both ends as indicated in **Image "F"**. Repeat this step in all four mounting locations.
- 7) Finish mounting the Navigator Box by sliding the supplied 2" x 3/4" U-bolt plate over all four U-bolts and fasten with the 1/4" lock washers and 1/4"-20 nuts as indicated in **Image "G"**. Repeat this step in all four mounting locations. **Do not overtighten.**
- 8) Slide the thread caps over the U-bolts as indicated in **Image "H"**. Repeat this step in all four mounting locations.
- 9) **Maintenance and Care:** Tighten all hardware after first use and periodically thereafter.

⚠ WARNING Failure to follow these installation instructions completely may void any warrantable components and result in property damage or personal injury. NEVER operate or transport ATV with unsecured cargo.

For additional assistance, please contact our customer service department at:
 Kolpin Outdoors, Inc. | 205 N. Depot Street | Fox Lake, WI 53933
 1.877.956.5746 | customerservice@kolpin.com

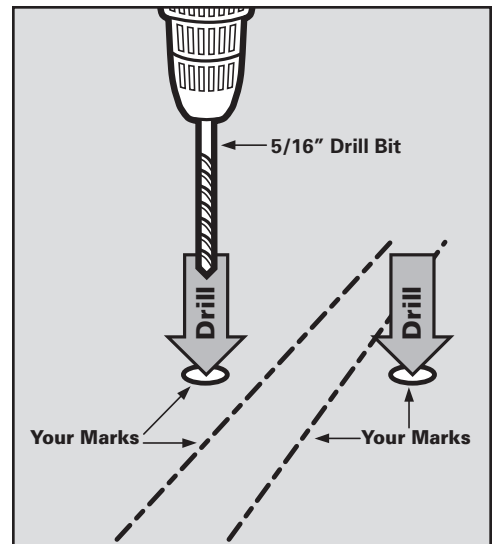


Image D – View from Underside of Box

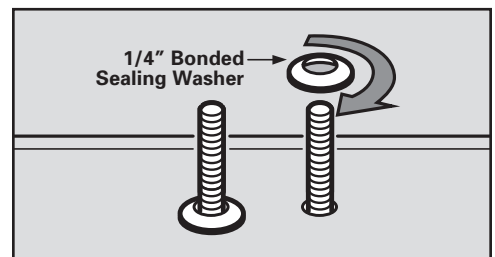


Image F – View from Inside of Box

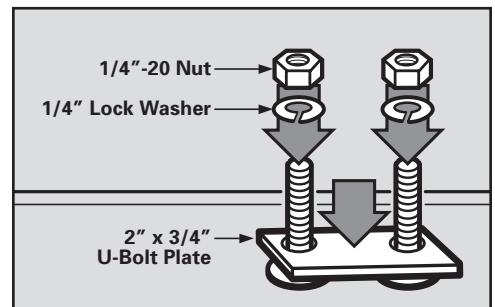


Image G – View from Inside of Box

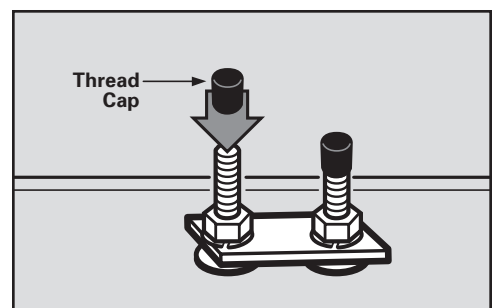


Image H – View from Inside of Box

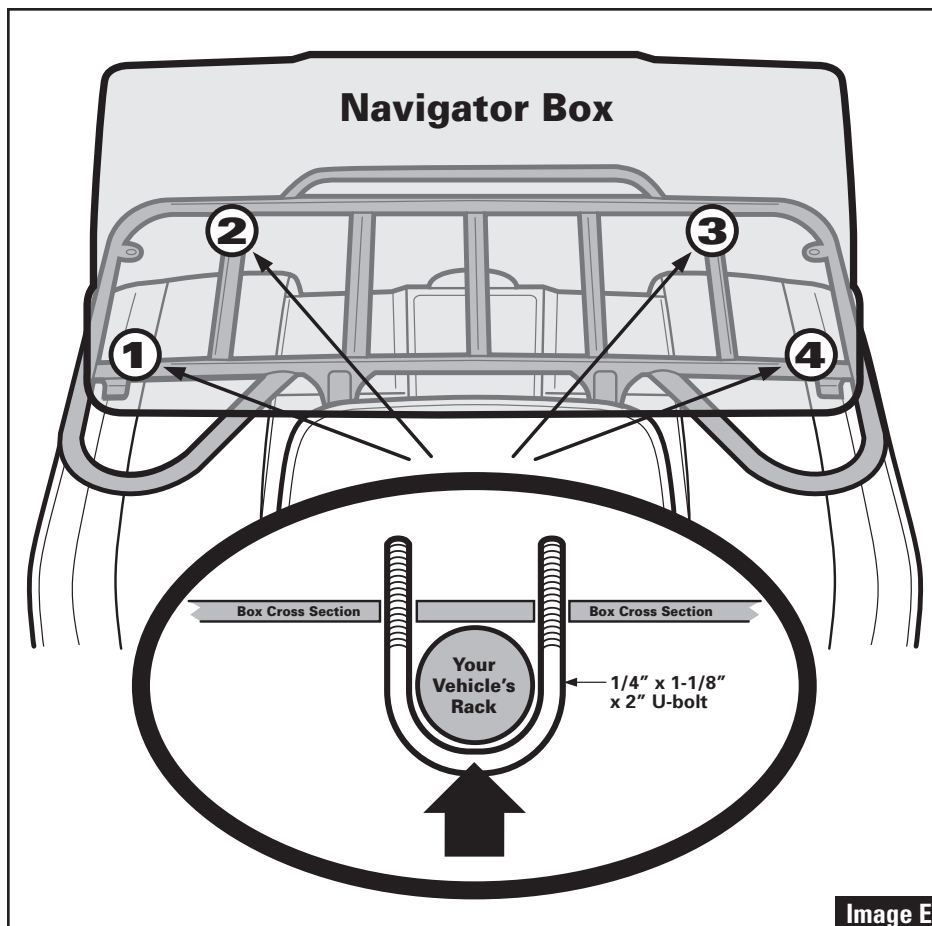


Image E