

Honda Pioneer 700 2 Seater - Poly Roof

Product Instructions | Part No: 27125

Application: Verify accessory fitment at Kolpin.com.

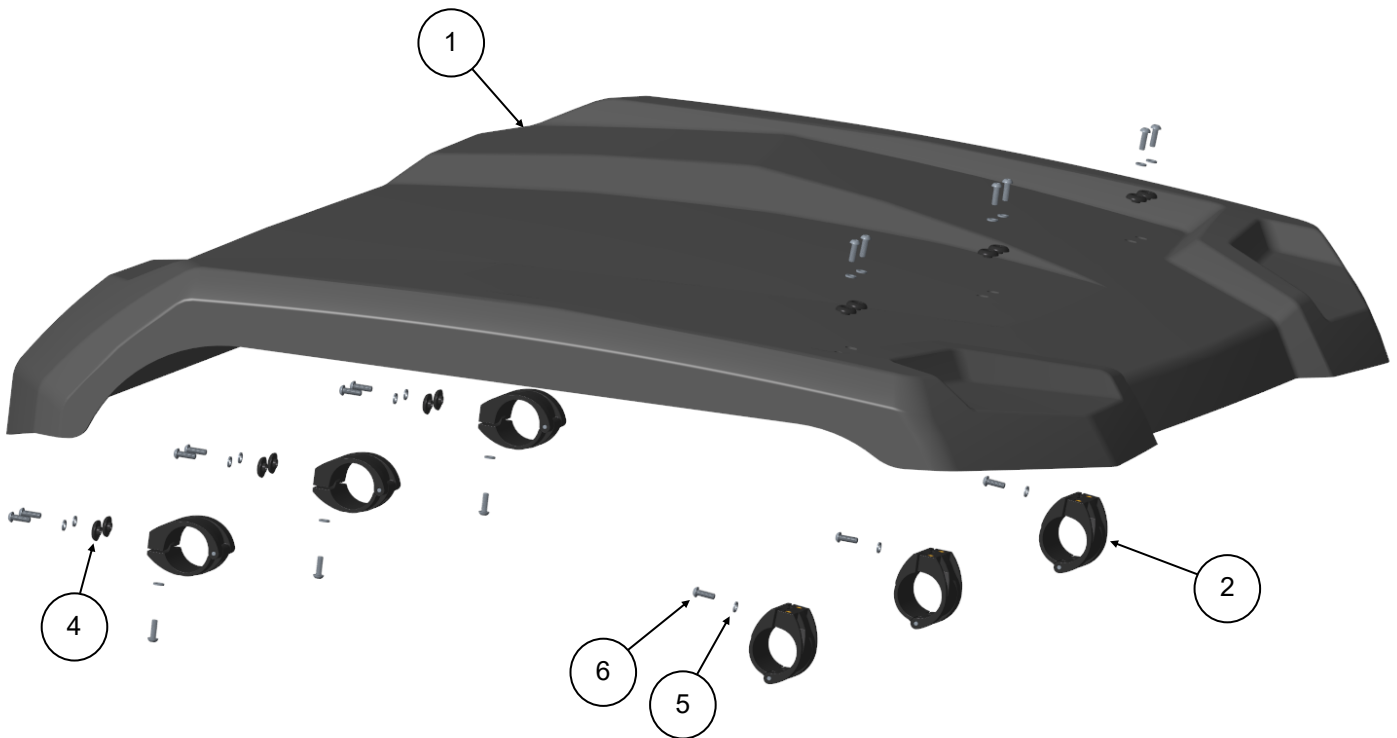
Before You Begin: Read these instructions and check to be sure all parts and tools are accounted for. Please retain these installation instructions for future reference and parts ordering information.

Note: If any hardware is missing, do not return to the store. Call us to help, Toll Free 1-877-956-5746.

This Product Includes:

Item	Qty	Part Description
1	1	Molded Roof
2*	6	1.75" Clamp
3*	8	Rubber Spacer <i>(Not Shown)</i>
4*	12	Domed Nylon Washer
5*	18	Lock Washer
6*	18	Button Head Hex Screw - M6 x 18mm

Items marked (*) are included in Hardware Kit P/N K100226.



Tools Required:

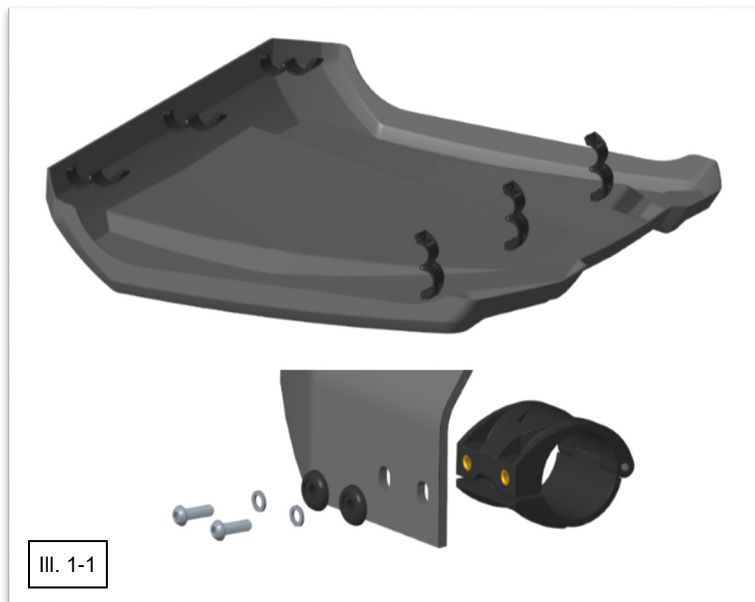
- 4mm or 5/32" Hex Driver
- Torque Wrench

Assembly Time: Approximately 15 minutes

Important: This Kolpin Roof is exclusively designed for your vehicle. Please read the installation instructions thoroughly before beginning. Installation is easier if the vehicle is clean and free of debris. For your safety, and to ensure a satisfactory installation, perform all installation steps correctly in the sequence shown.

Installation Instructions:

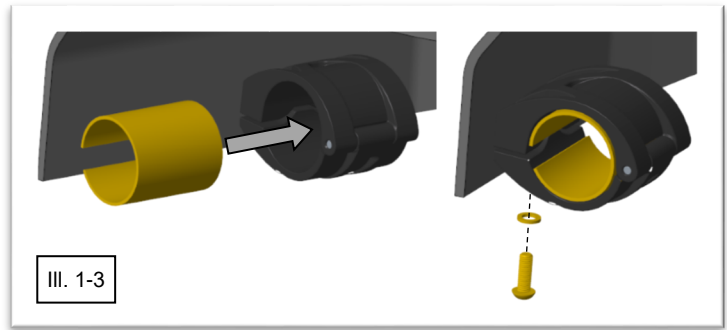
1. Shift vehicle transmission into "PARK". Turn key to "OFF" position and remove from vehicle.
2. Install six 1.75" Clamps (Item #2) to the Roof prior to placing on vehicle. Each 1.75" Clamp (Item #2) uses two Domed Nylon Washers (Item #4), two Lock Washers (Item #5) and two Button Head Hex Screws (Item #6). Be sure to position clamp so hinged piece opens in the direction as shown. Do not fully tighten fasteners yet. (See Illustration 1-1).




3. Place Roof onto the vehicle roll cage. Position front clamps first, then rear clamps. (See Illustration 1-2).



4. Insert Rubber Spacer (Item #3) into each Clamp. Then loosely install a Lock Washer (Item #5) and Button Head Hex Screw (Item #6) into each Clamp to hold it closed. The two remaining Rubber Spacers can be discarded. (See Illustration 1-3).



5. Align and center Roof to desired position before tightening hardware.
6. Tighten all hardware to specification.

 = T
FASTENER TORQUE: 5.5 ft. lbs. (66 in-lb) (7.5 Nm)

7. Re-inspect hardware after riding.

Use and Care Information:

- Check the accessory mounts frequently and retighten hardware if necessary.
- If transporting vehicle in a non-enclosed trailer, it's suggested to put vehicle facing forward to reduce the risk of accessory separating from vehicle.
- Avoid prolonged exposure to direct sunlight.
- Replace this accessory with a new one if it is damaged.
- Do not use brush while cleaning this accessory as it may leave scratches on the surface.
- Never use petroleum solvents such as gasoline, thinner, benzene, acid or alkaline cleaners.

For additional assistance, please contact Kolpin customer service department at (877) 956-5746 or (763) 478-5800 or email customerservice@kolpin.com.

One Year Limited Warranty

For the period of one (1) year from the purchase date, Kolpin will replace for the original purchaser, free of charge, any part or parts found upon examination by Kolpin to be defective in material, workmanship, or both.

All transportation costs incurred submitting product to Kolpin for warranty consideration must be borne by the purchaser. If Kolpin determines that the product must be returned to the factory for credit, please call 1-877-956-5746 for a Return Merchandise Authorization (RMA) number and shipping instructions.

This warranty does not apply to parts that have been damaged by accident, alteration, abuse, improper maintenance, normal wear, or other causes beyond the manufacturer's control. In order to protect you and your ATV, certain parts of the accessory system and/or hardware are designed to fail when the equipment is over-stressed. Parts that are lost due to loosening and improper maintenance are not covered under warranty. This warranty does not cover removal or reinstallation labor fees of the plow system and related components.

Peripheral products such as engines, electric motors, and actuators may carry an original manufacturer's warranty. Most hardware is general in nature and is easily obtained locally. Be sure to replace with minimum metric class 8.8 specification.