



Hardcoat Full Hinged Windshield

For Kawasaki Mule—SX

P/N 2512

ASSEMBLY / OWNERS MANUAL

Before you begin, please read and understand these instructions. Also review the box contents to ensure all parts are accounted for.



Kolpin Outdoors, Inc. | 9955 59th Ave N | Plymouth, MN 55442

(877) 956-5746 or (763) 478-5800 | www.kolpin.com | customerservice@kolpin.com

© 2018 Kolpin Outdoors Inc. REV 01

BEFORE YOU BEGIN

Thank You and congratulations on your purchase! Kolpin windshields are the most durable windshields in the industry. With proper installation, care, and maintenance, your Kolpin windshield will last for years to come! Before You Begin:

- Inspect the contents of the package to ensure all parts and tools are accounted for. If any hardware is missing, do not return to the store. Call Kolpin directly for assistance. Toll Free 1-877-956-5746.
- Please read and understand all assembly instructions, notices and warnings before assembling and operating your Kolpin windshield.
- For proper installation, two people are highly recommended.
- Keep these instructions for future reference. Dealers: Provide owner manual to customer at time of purchase.
- To facilitate installation, make sure your vehicle is clean and free of debris.
- All directions referring to right and left are when the rider is sitting on the machine.



APPROXIMATE ASSEMBLY TIME: 30 minutes

TOOLS REQUIRED FOR INSTALLATION:

- 4 mm hex socket or hex key
- Shears or wire cutter
- 10mm combo wrench

SAFETY INFORMATION

Our windshields were designed with your safety in mind. Please read and understand all Cautions, Notices and Warnings in this manual before you begin.

**DANGER**

TO AVOID SERIOUS INJURY OR DEATH:

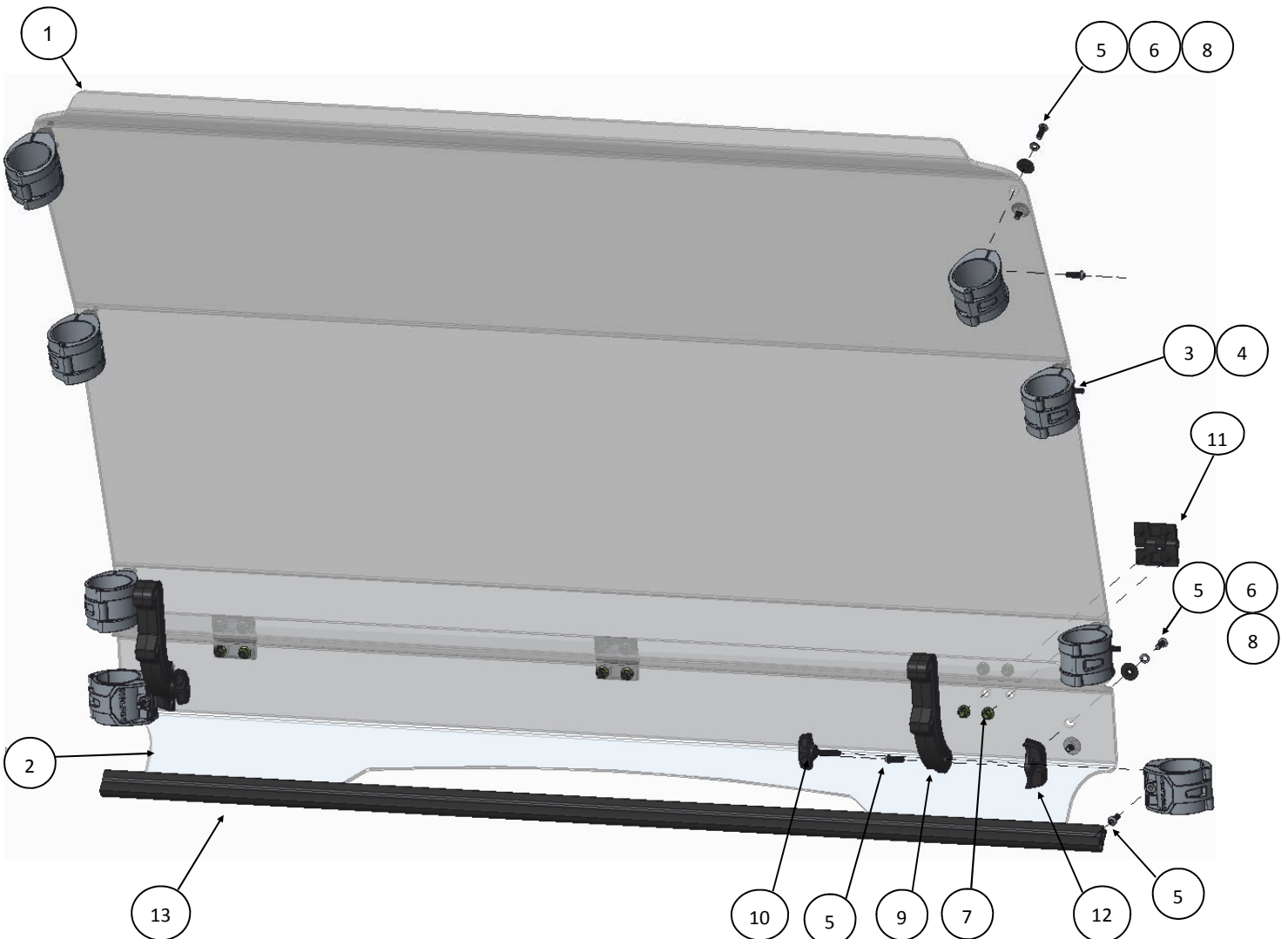
1. OPEN POSITIONS ON FULL TILTING WINDSHIELDS ARE DESIGNED FOR LOW-SPEED RIDING ONLY.
2. IF VEHICLE IS TRAIERED FACING FORWARD, FULL TILTING WINDSHIELDS MUST BE IN THE CLOSED POSITION WITH TILTING T KNOBS TIGHTENED. FAILURE TO CLOSE AND SECURE THE WINDSHIELD MAY ALLOW AIRFLOW TO SEPARATE WINDSHIELD FROM VEHICLE, RESULTING IN AN ACCIDENT AND SEVERE INJURY OR DEATH. DO NOT TRAILER VEHICLE FACING REARWARD WITH WINDSHIELD INSTALLED. AIRFLOW MAY CAUSE WINDSHIELD TO SEPARATE FROM VEHICLE, RESULTING IN AN ACCIDENT AND SEVERE INJURY OR DEATH. REMOVE WINDSHIELD OR TRANSPORT VEHICLE IN ENCLOSED TRAILER.
3. UTVs ARE TO ONLY BE DRIVEN WITH CLEAN WINDSHIELDS FOR DRIVING VISIBILITY. IF DIRT OR DEBRIS ACCUMULATES ON THE WINDSHIELD WHEN RIDING, STOP THE UTV AT THE NEXT SAFE LOCATION ON THE TRAIL TO CLEAR OFF THE WINDSHIELD BEFORE RESUMING RIDING.
4. ONLY INSTALL WINDSHIELDS THAT ARE DESIGNED FOR THE MAKE AND MODEL OF THE UTV. INSTALLATION OF A WINDSHIELD THAT WAS NOT DESIGNED FOR THE UTV MAKE AND MODEL CAN IMPACT WINDSHIELD DURABILITY AND PERFORMANCE.
5. READ AND UNDERSTAND WINDSHIELD INSTRUCTION SHEETS AND UTV OWNER MANUAL BEFORE WINDSHIELD INSTALLATION OR OPERATING THE VEHICLE.
6. PERIODICALLY CHECK FOR WEAR AND TIGHTNESS OF ALL FASTENERS. REPLACE OR RE-TORQUE FASTENERS AS NECESSARY.

If any hardware is missing, do not return to the store. Call Kolpin directly for assistance.

Toll Free 1-877-956-5746.

Kit Contents:

Assembly			Spare Kit PNs					
Item	Part Description	Qty	K100121	K100138	K100135	K100172	H3503P-01	PUR33355
1	Upper Windshield	1						
2	Lower Windshield	1						
3	Clamp Assembly - 2.0"	8	2					
4	Clamp Spacer	8		4				
5	Button Head - M6 x 18mm	26	6		2	2		
6	Lock Washer - M6	26	6		6	2		
7	Lock Nut - M6	12				2		
8	Dome Shoulder Washer - M6	16	4			2		
9	Windshield Slider	2			2			
10	T Knob - M6	2			2			
11	Hinge - M6	3					1	
12	Lower Slider Mount	2			2			
13	Bulb Seal - 48"	1						1

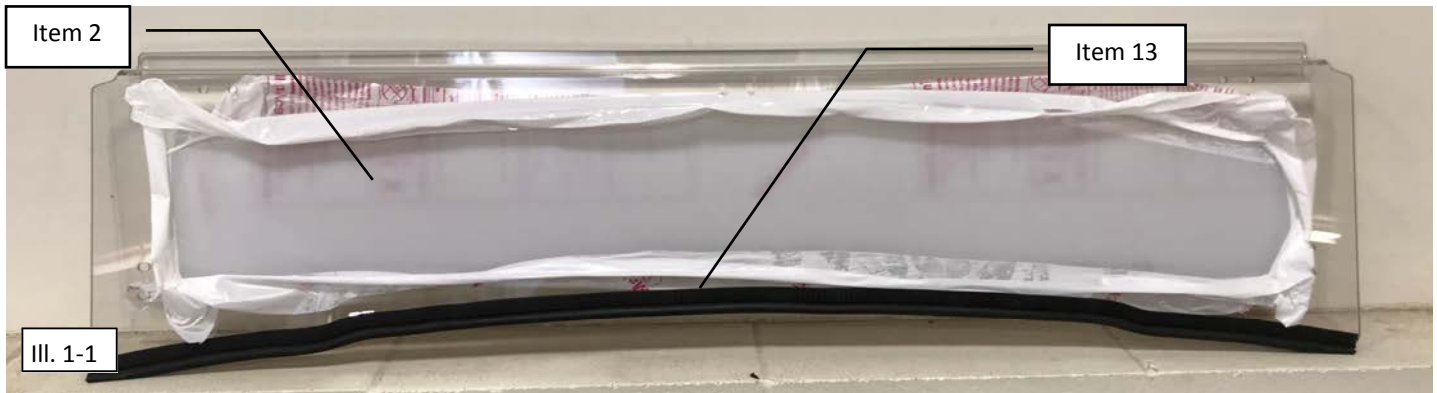


Installation Prep:

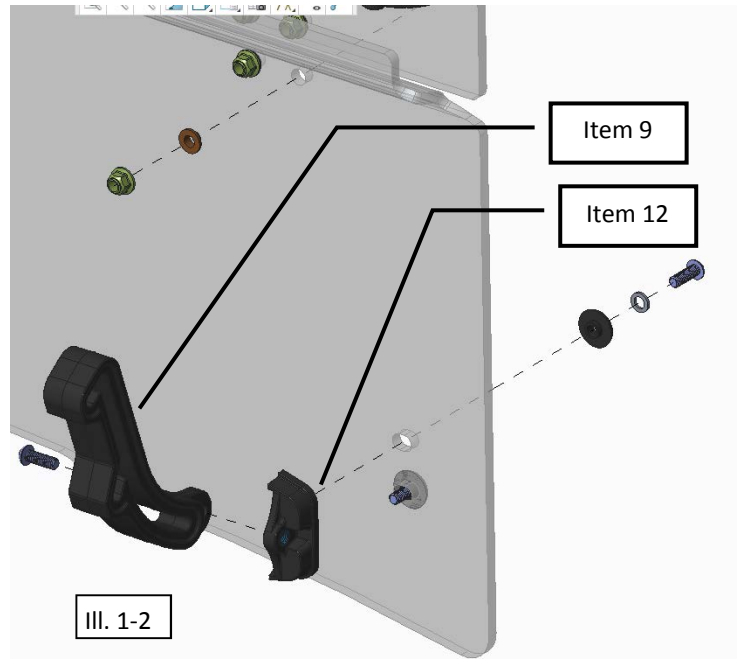
1. To facilitate installation, make sure that your vehicle is clean and free of debris.
2. All directions referring to right and left are when the rider is sitting on the machine.


Installation:

1. Remove Lower Windshield (Item 2) from the box and set on a clean flat surface with the protective film still in tact.
2. On the bottom edge, peel back ~2 inches of protective film from the inside and outside surfaces. Press the Bulb Seal (Item 13) into position along the bottom edge and cut the Bulb Seal to length using shears or a wire cutter. See Illustration 1-1.

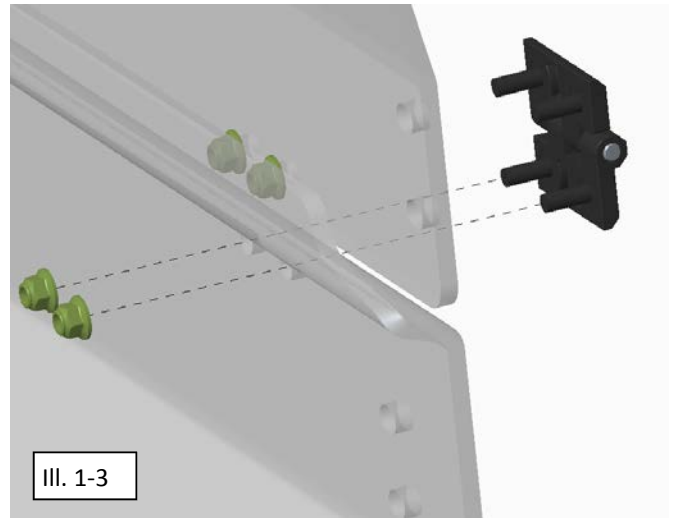


3. On the passenger's side, assemble Lower Slider Mount (Item 12) to the Lower Windshield (Item 2) using (2) M6 X 18mm Button Head Screws (Item 5), (2) M6 Lock Washers (Item 6), and (2) Dome Shoulder Washers (Item 8). Do not tighten at this time to ease windshield assembly onto the vehicle. See Illustration 1-2.
4. Attach Windshield Slider (Item 9) to the Lower Slider Mount (Item 12) using (1) M6 x 18mm Button Head (Item 5). Note the Windshield Slider is installed inside the Lower Slider Mount. See Illustration 1-2.
5. Repeat the above steps for the driver's side ensuring the Windshield slider is installed inside the Lower Slider Mount.
6. Remove Upper Windshield (Item 1) from the box and set on a clean flat surface with the protective film in tact.
7. Peel back the protective film on the edge of the upper windshield to ~2 inches to prepare for component installation.
8. Assemble Hinge (Item 11) to the lower and upper windshield (Item 1 & 2) using (4) Lock nuts (Item 7). Tighten to specification. See Illustration 1-3.
9. Repeat for all (3) hinges.



 = T
6MM FASTENER TORQUE: 7 ft. lbs. (9 Nm)

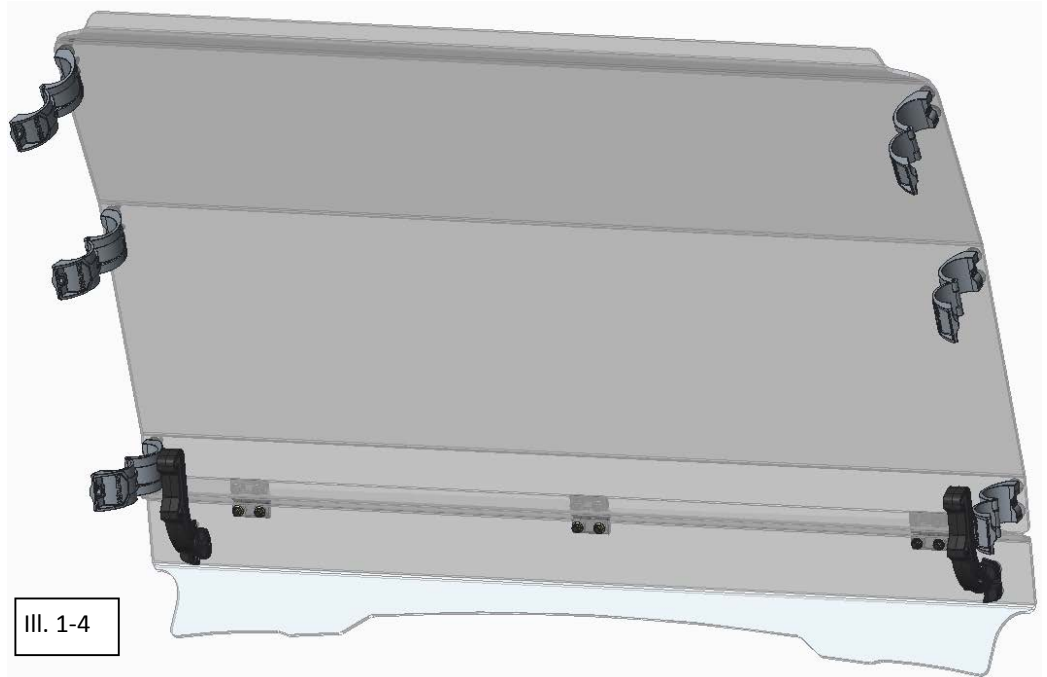
10. Assemble Clamp (Item 3) on the Upper Windshield (Item 1) using (2) M6 x 18mm Button Head (Item 5), (2) Lock Washers (Item 6), and (2) Dome Washers (Item 8). Do not tighten at this time to ease installation onto the vehicle. For proper fitment ensure “Kolpin” is facing outward on the clamps. Repeat for all six clamps on the upper windshield. See Illustration 1-4 & 1-5.



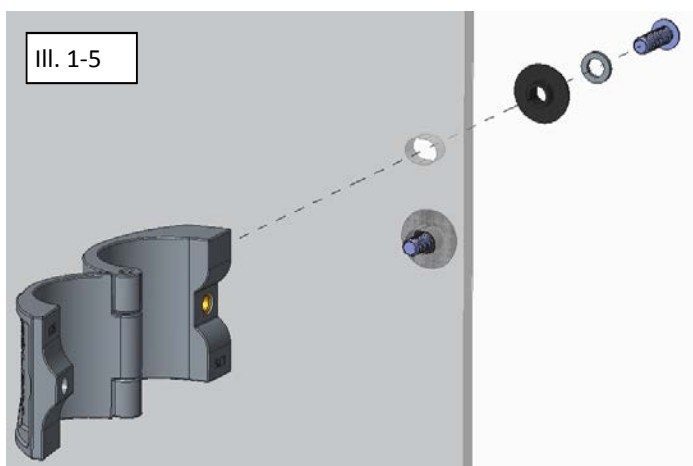
Ill. 1-3

Note: Only assemble the clamps to the windshield, do not assemble the 3rd fastener to the clamp at this time. As the result, half of the clamp will be hanging freely.

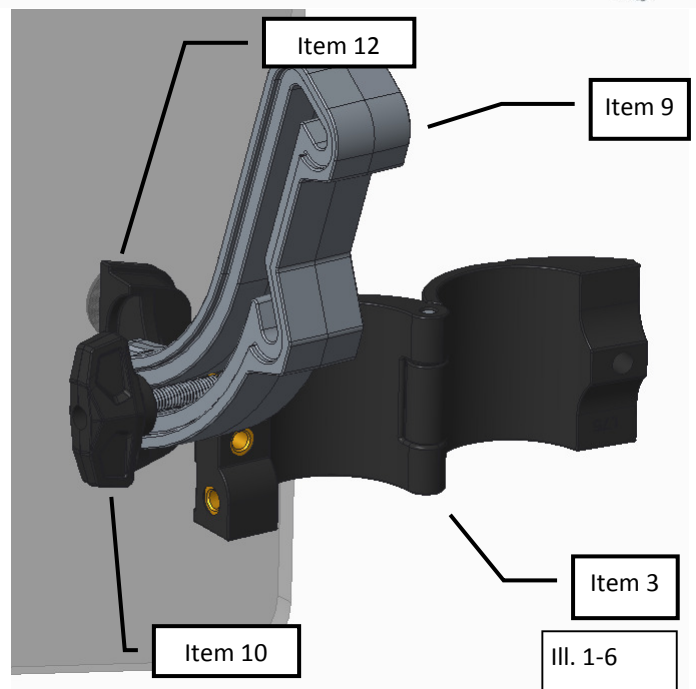
11. On the bottom Windshield panel, assemble Clamp (Item 3) onto the Windshield Slider (Item 9) using T Knob (Item 10) on the passenger’s side. The T Knob should be positioned inside the Windshield Slider. Repeat for drivers side. See Illustration 1-6.



Ill. 1-4



Ill. 1-5



Item 9


Item 12

Item 3

Item 10

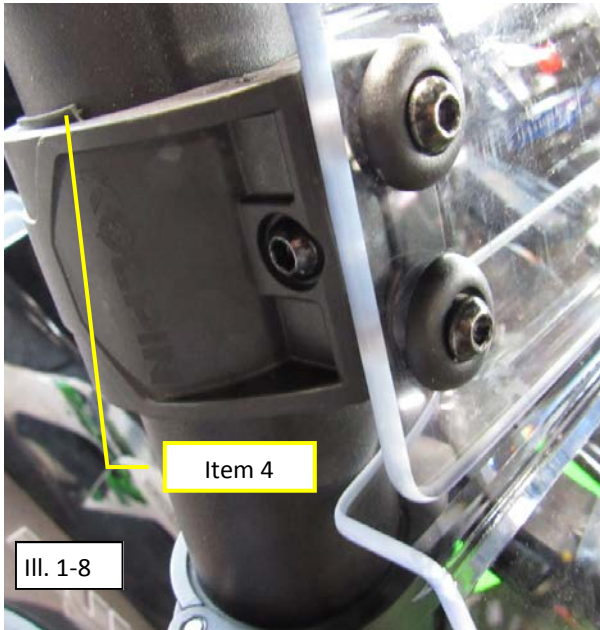
Ill. 1-6

12. Ensure the clamps are open. With one person on the drivers side and one person on passenger side, lift and position the Upper Windshield Assembly onto the ROPS. Slide the windshield assembly into position such that the bulb seal contacts and seals onto the hood. See Illustration 1-7.
13. Position (1) Clamp Spacer (Item 4) between a Clamp (Item 3) and the ROPS and tighten the clamp to specification using (1) M6 x 18mm Button Head (Item 5). See Illustration 1-8.

 = T
6MM FASTENER TORQUE: 7 ft. lbs. (9 Nm)




Ill. 1-7



Item 4

Ill. 1-8

14. Repeat for all six clamps on the upper windshield.
15. Loosen the (2) T Knobs (Item 10) on the Lower Windshield (Item 2) and position the Clamps (Item 3) around the ROPS.
16. For the lower windshield clamps, position (1) Clamp Spacer (Item 4) between each clamp and the ROPS and fasten the clamps around the ROPS using (1) M6 x 18mm fastener per clamp. Do not tighten at this time. Adjust the Windshield Slider (Item 9) to the full open position and tighten the Clamps (Item 3) to specifications. See Illustration 1-9.
17. Tighten the Lower Slider Mounting hardware and the hardware for securing the Upper Windshield Clamps to the Upper Windshield to specification.

 = T
6MM FASTENER TORQUE: 7 ft. lbs. (9 Nm)



Ill. 1-9

To Operate the Tilt Mechanism:

1. Loosen (without removing) the T Knobs (Item 10) and push on the Lower Windshield from the inside of the cab until the desired position is reached. Tighten T knobs. Note: There are three positions on the Windshield Slider, Closed, Half Open, and Fully Extended. See Illustration 1-10.

Note: Open positions are designed for low-speed operation ONLY. Windshield must be secured and in the closed position for high speed riding or transporting the vehicle.

To open the hood of the Machine:

1. Remove the T Knobs (Item 10).
2. Pivot the Lower Windshield until the windshield is flat against the upper windshield. See Illustration 1-11.



One Year Limited Warranty

For the period of one (1) year from the purchase date, Kolpin will replace for the original purchaser, free of charge, any part or parts found upon examination by Kolpin to be defective in material, workmanship, or both.

All transportation costs incurred submitting product to Kolpin for warranty consideration must be borne by the purchaser. If Kolpin determines that the product must be returned to the factory for credit, please call 1-877-956-5746 for a Return Merchandise Authorization (RMA) number and shipping instructions.

This warranty does not apply to parts that have been damaged by accident, alteration, abuse, improper maintenance, normal wear, or other causes beyond the manufacturer's control. In order to protect you and your ATV, certain parts of the accessory system and/or hardware are designed to fail when the equipment is over-stressed. Parts that are lost due to loosening and improper maintenance are not covered under warranty. This warranty does not cover removal or reinstallation labor fees of the plow system and related components.

Peripheral products such as engines, electric motors, and actuators may carry an original manufacturer's warranty. Most hardware is general in nature and is easily obtained locally. Be sure to replace with minimum metric class 8.8 specification.