

Polaris RZR - Full Tilt Windshield



Product Instructions | Part No: 2738

Application: Verify accessory fitment at Kolpin.com.

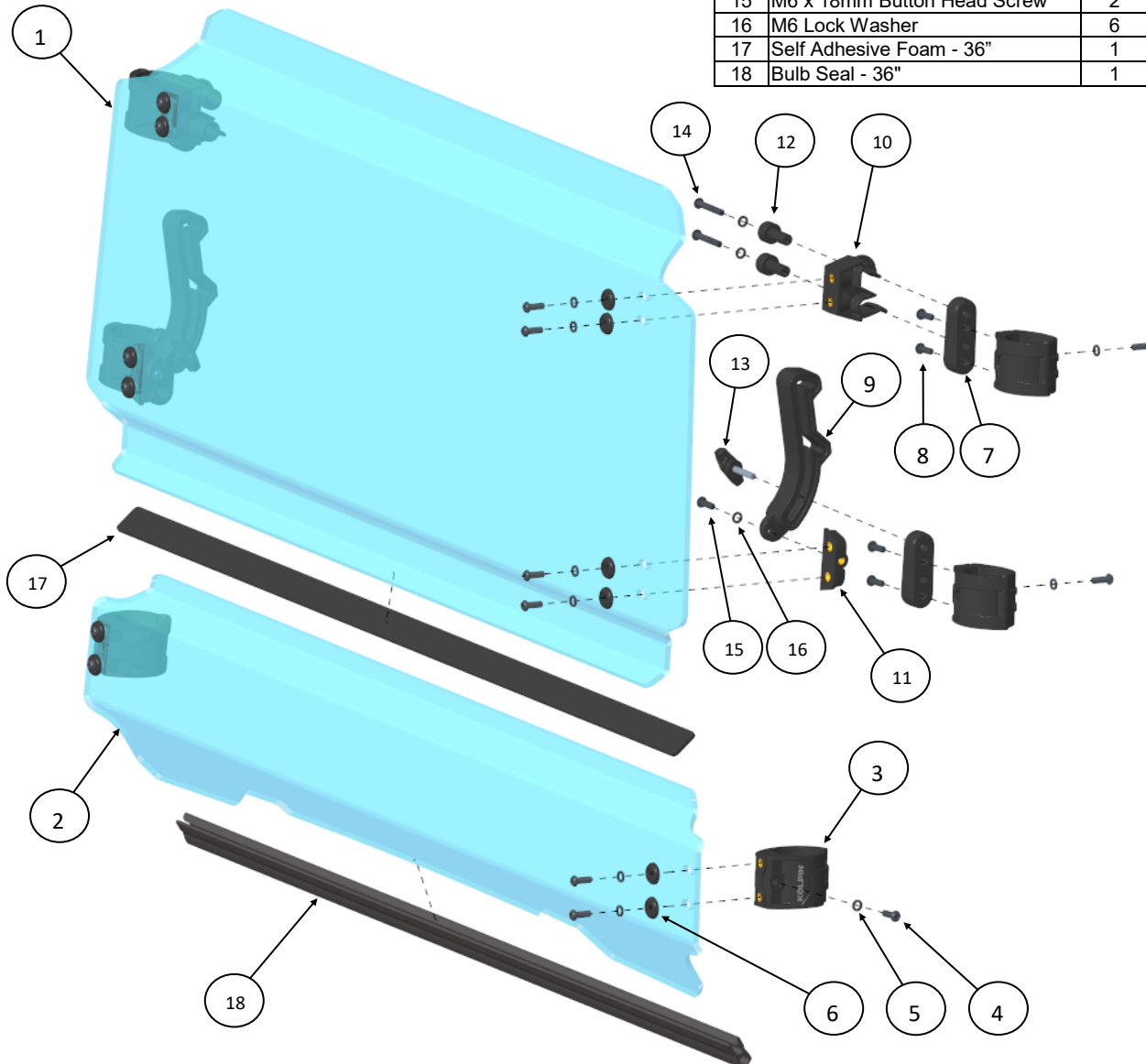
Before You Begin: Read these instructions and check to be sure all parts are accounted for. If any items are missing, do not return to the store. Call us at 1-877-956-5746 for assistance. Please retain these instructions for future reference and parts ordering information.

Dealers: Provide Instruction Manual to customer at time of purchase.

Tools Required: 4mm Hex Wrench or Socket, Torque Wrench, Tape Measure, Shears or Wire Cutters

Product Contents:

Item	Description	Qty	Part Number
1	Upper Windshield Panel	1	
2	Lower Windshield Panel	1	
3	Clamp - 1.75" Diameter	6	
4	M6 x 18mm Button Head Screw	18	K100137 (Qty 3)
5	M6 Lock Washer	18	
6	Domed Shoulder Washer - M6	12	
7	Angle Adapter	4	K100136 (Qty 1)
8	M6 x 18mm Button Head Screw	8	
9	Slide Arm	2	K100135 (Qty 1)
10	Upper Pivot	2	
11	Lower Pivot	2	
12	Pivot Cylinder	4	
13	T-Knob	2	
14	M6 x 38mm Button Head Screw	4	
15	M6 x 18mm Button Head Screw	2	
16	M6 Lock Washer	6	
17	Self Adhesive Foam - 36"	1	PUR3360
18	Bulb Seal - 36"	1	PUR3356




Assembly Time: Approximately 25 minutes

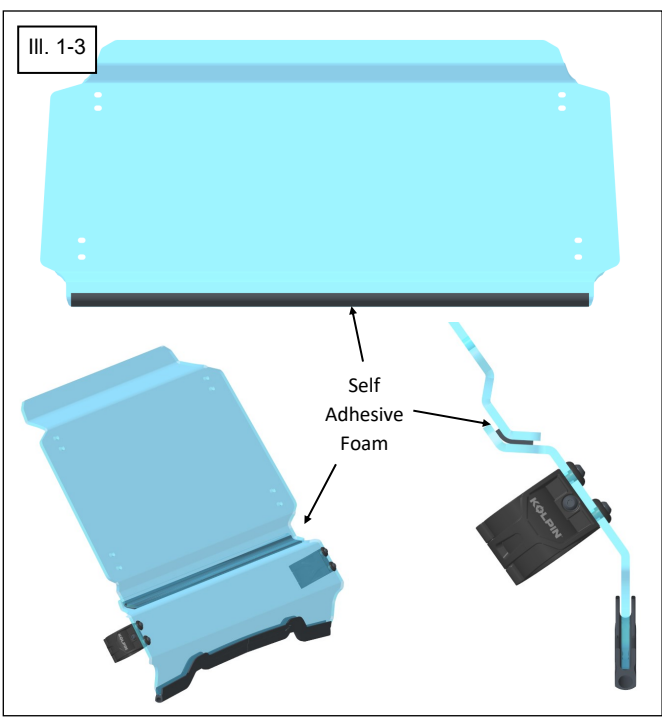
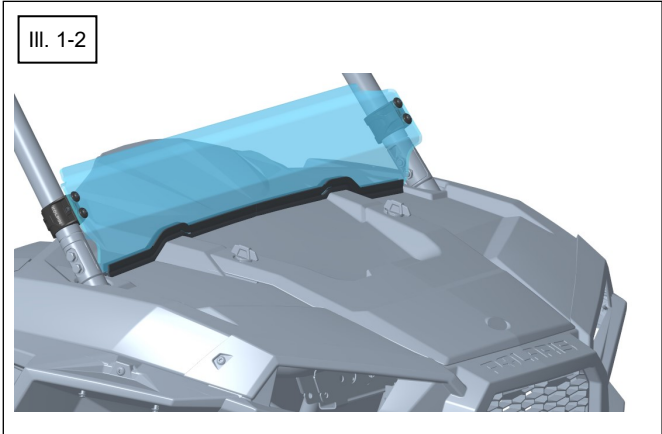
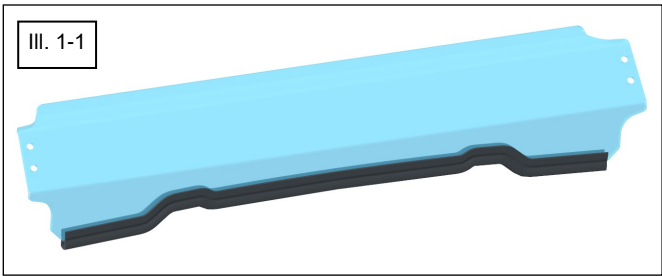
Important: This product is exclusively designed for your vehicle. Please read the installation instructions thoroughly before beginning. Installation is easier if the vehicle is clean and free of debris. For your safety, and to ensure a satisfactory installation, perform all installation steps correctly in the sequence shown.

Installation Instructions:

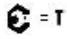
1. Shift vehicle transmission into PARK. Turn key to OFF position and remove from vehicle.
2. Carefully remove Windshield Panels from box and place on a clean flat surface that won't scratch the Windshield. To protect the Windshield Panels during assembly, only peel back the protective film in areas where the Mounting Components, Foam and Bulb Seal attach.
3. Firmly press the Bulb Seal [Item 18] onto the bottom edge of the Lower Windshield Panel [Item 2]. Cut any excess length of the Bulb Seal using a Shears or Wire Cutter. See Illustration 1-1.
4. Using two Clamps [Item 3], attach the Lower Windshield Panel [Item 2] to the Roll Cage. The Kolpin logo on the Clamps should face the outside of the vehicle. Each Clamp uses three M6 x 18mm Button Head Screws [Item 4], three Lock Washers [Item 5], and two Domed Shoulder Washers [Item 6]. Slide the Windshield Panel down until the Bulb Seal makes full contact against the vehicle bodywork. Now tighten all six Button Head Screws [Item 4] to the specified torque below. See Illustration 1-2.

 = T
SPECIFIED FASTENER TORQUE:
7 ft. lbs. (84 in-lb) (9.5 Nm)

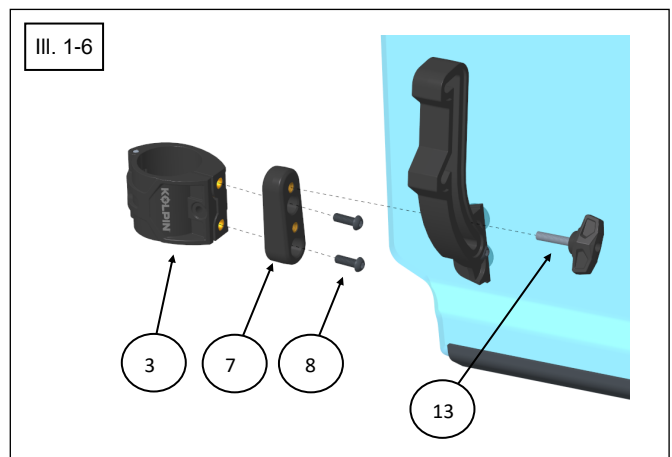
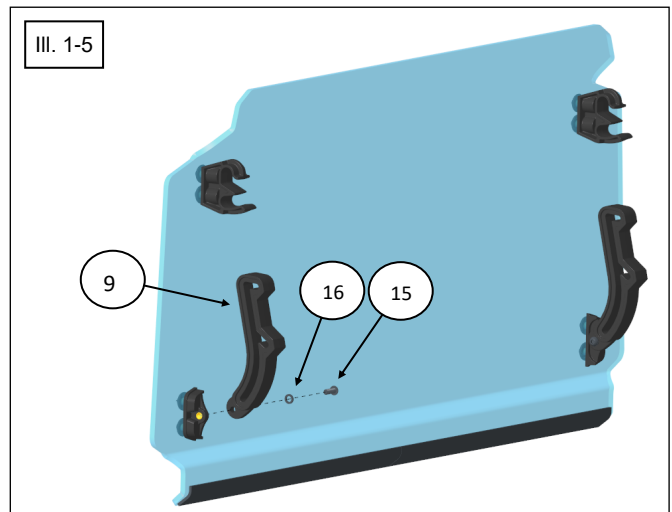
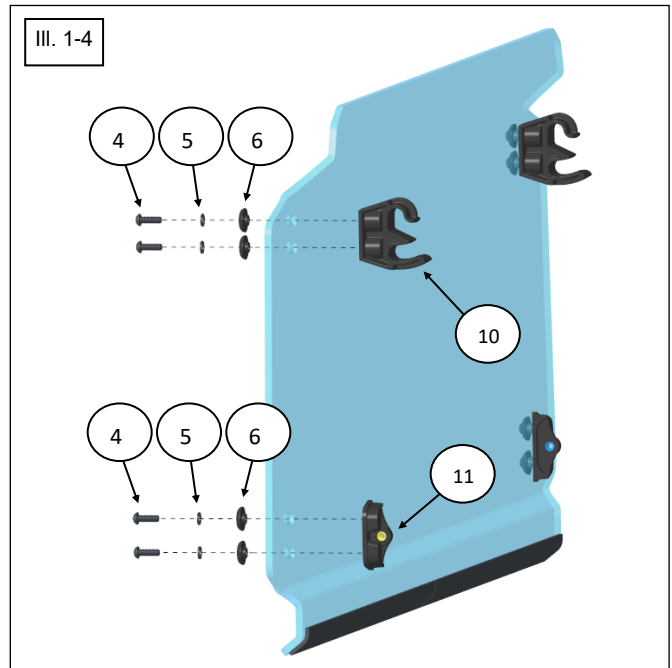
5. Attach the Self Adhesive Foam [Item 17] on Upper Windshield Panel [Item 1] as shown. Apply firm pressure along Foam Seal to assure proper bond. Trim any excess Foam as necessary. See Illustration 1-3.



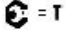
6. Attach the both Upper Pivots [Item 10] and both Lower Pivots [Item 11] to the Upper Windshield Panel in the orientation shown. Leave hardware finger tight so alignment can be adjusted later on. See Illustration 1-4.
7. Attach both Slide Arms [Item 9] to the inner side of the Lower Pivots [Item 11]. See Illustration 1-5.
8. On the lower drivers side, attach the Angle Adapter [Item 7] to the Clamp [Item 3] using two M6 x 18mm Button Head Screws [Item 15]. The wider section of the Angle Adapter should be towards the bottom. The Kolpin logo on the Clamps should face the inside of the vehicle. Tighten both screws to the specified torque below. See Illustration 1-6.

 = T
SPECIFIED FASTENER TORQUE: 7 ft. lbs. (84 in-lb) (9.5 Nm)


9. Connect the Clamp assembly from Step 8 to the Slide Arm [Item 9] on the driver's side using the T-Knob [Item 13]. Exact position will be adjusted later on. See Illustration 1-6.
10. Repeat Steps 8 & 9 on the lower passenger side.



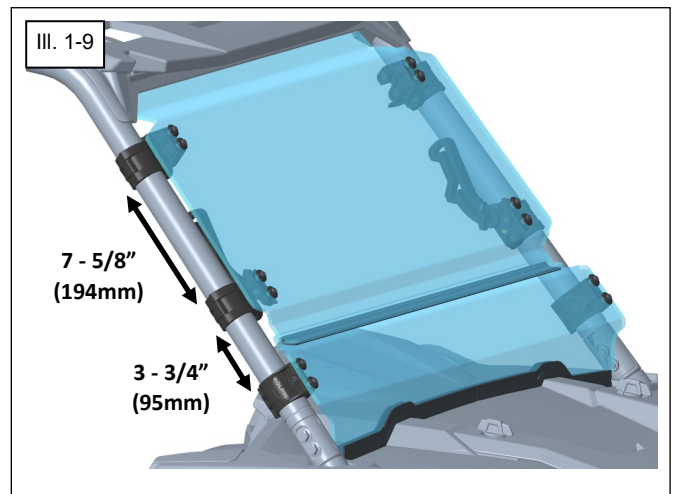
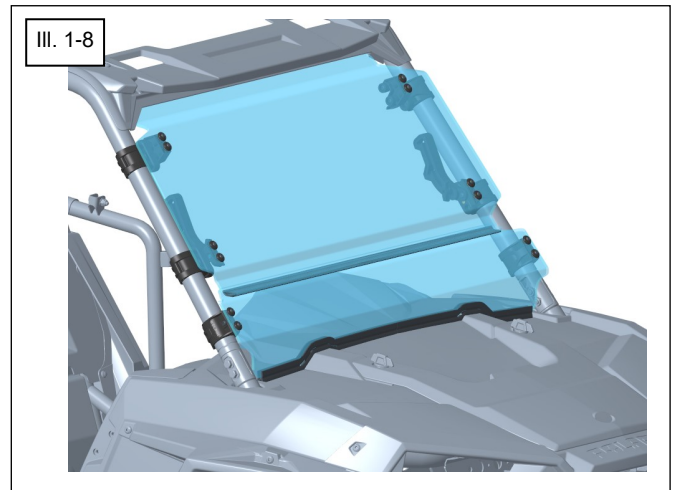
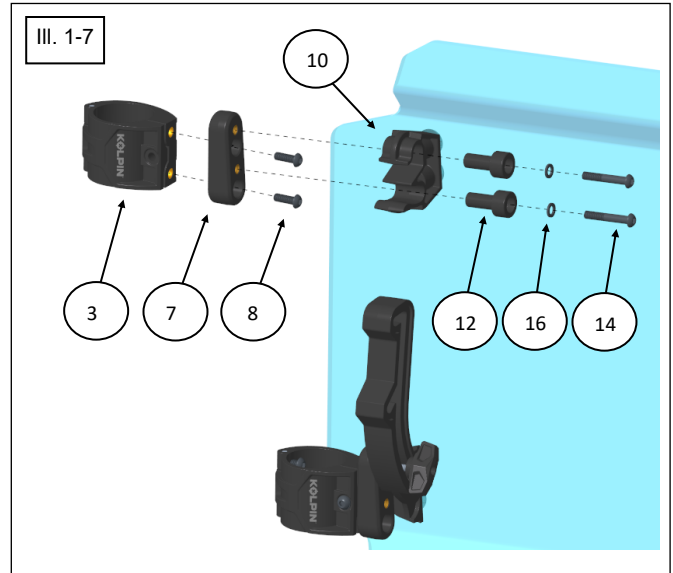
- On the upper driver side, attach the Angle Adapter [Item 7] to the Clamp [Item 3] using two M6 x 18mm Button Head Screws [Item 8]. The wider section of the Angle Adapter should be towards the bottom. The Kolpin logo on the Clamps should face the inside of the vehicle. Tighten both screws to the specified torque below. See Illustration 1-7.

 = T
SPECIFIED FASTENER TORQUE: 7 ft. lbs. (84 in-lb) (9.5 Nm)


- Connect two Pivot Cylinders to the Angle Adapter [Item 7] using two Lock Washers [Item 16] and two M6 x 38mm Button Head Screws [Item 14]. Tighten both screws to the specified torque below. See Illustration 1-7.

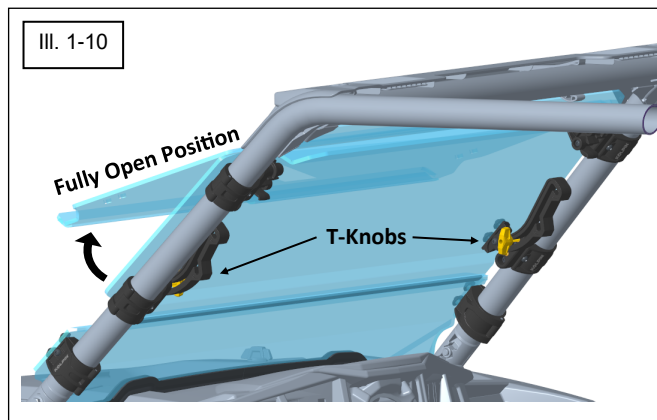
 = T
SPECIFIED FASTENER TORQUE: 7 ft. lbs. (84 in-lb) (9.5 Nm)

- Connect the Clamp Assembly from Steps 11 & 12 to the Upper Pivot [Item 10] as shown. See Illustration 1-7.
- Repeat Steps 11 - 13 for the upper passenger side.
- With the Clamps in the open position, attach the Upper Windshield onto Roll Cage, above Lower Windshield Panel. See Illustration 1-8.
- Close each Clamp on the Upper Windshield Panel and loosely install a Lock Washer [Item 5] and an M6 x 18mm Button Head Screw [Item 4] to keep them shut. The Screws will be tightened later on.
- Adjust the spacing between Clamps on the Roll Cage so the drivers side is even with the passenger side. Be sure that the Upper Windshield Panel rests on the Lower Windshield Panel when closed. Approximate distance between each clamp shown. See Illustration 1-9.



18. Assure all Clamps and the Pivot Components are properly aligned.
19. Tighten all Button Head Screws to the specified torque below.

 = T
SPECIFIED FASTENER TORQUE: 7 ft. lbs. (84 in-lb) (9.5 Nm)

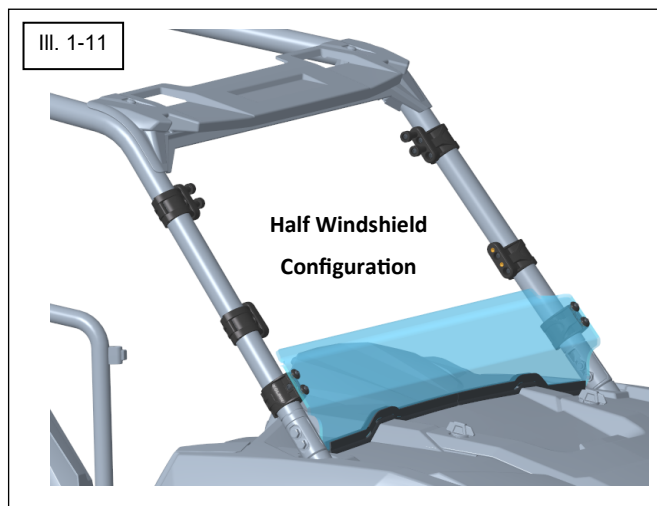


20. Remove the protective film from both sides of the Windshield Panel.

21. To open or close the Upper Windshield, loosen both T-Knobs [Item 13] and adjust the Slide Arms [Item 9] on each side. Re-tighten the T-Knobs to lock into position. See Illustration 1-10.

WARNING: The open positions are for LOW SPEED riding ONLY. DO NOT transport or trailer the vehicle with the Windshield in the open position.

22. If desired, the Upper Windshield Panel can be removed and the Lower Windshield Panel kept on as a Half Windshield. To remove the Upper Windshield Panel without tools, remove the two T-Knobs (Item 13) and tilt the Upper Windshield open and lift up to disengage the Upper Pivots [Item 10] from the Pivot Cylinders [Item 12]. See Illustration 1-11.



23. Re-inspect hardware before and after riding or trailering.



DANGER



TO AVOID SERIOUS INJURY OR DEATH:

1. DO NOT TRAILER VEHICLE FACING REARWARD WITH WINDSHIELD INSTALLED. AIRFLOW MAY CAUSE WINDSHIELD TO SEPARATE FROM VEHICLE, RESULTING IN AN ACCIDENT AND SEVERE INJURY OR DEATH. REMOVE WINDSHIELD OR TRANSPORT VEHICLE IN ENCLOSED TRAILER.
2. UTVs ARE TO ONLY BE DRIVEN WITH CLEAN WINDSHIELDS FOR DRIVING VISIBILITY. IF DIRT OR DEBRIS ACCUMULATES ON THE WINDSHIELD WHEN RIDING, STOP THE UTV AT THE NEXT SAFE LOCATION ON THE TRAIL TO CLEAR OFF THE WINDSHIELD BEFORE YOU RESUME RIDING.
3. ONLY INSTALL WINDSHIELDS THAT ARE DESIGNED FOR THE MAKE AND MODEL OF THE UTV. INSTALLATION OF A WINDSHIELD THAT WAS NOT DESIGNED FOR THE UTV MAKE AND MODEL CAN IMPACT WINDSHIELD DURABILITY AND PERFORMANCE.
4. READ AND UNDERSTAND WINDSHIELD INSTRUCTION SHEETS AND UTV OWNER MANUAL BEFORE WINDSHIELD INSTALLATION OR OPERATING THE VEHICLE.
5. PERIODICALLY CHECK FOR WEAR AND TIGHTNESS OF ALL FASTENERS. ALWAYS INSPECT BEFORE AND AFTER RIDING OR TRAILERING. REPLACE OR RE-TORQUE FASTENERS AS NECESSARY.

Windshield Cleaning Information:

- Remove all dirt, mud, dust and debris from Windshield with water before cleaning.
- Use a mild soap or dishwashing detergent along with a soft sponge or soft cotton cloth to clean Windshield surface. Do not apply in direct sunlight. Rinse with water immediately and dry with a soft cotton cloth or chamois.
- Always test cleaning agents in a small inconspicuous area prior to cleaning entire panel.
- Never use Windshield cleaning fluids (409, Windex, etc.), gasoline, high alkaline cleaners, or solvents.
- Never use abrasives, brushes, razor blades, scrapers, squeegees, gloves or dirty cloths.

For additional assistance, please contact Kolpin customer service department at (877) 956-5746 or (763) 478-5800 or email customerservice@kolpin.com.

One Year Limited Warranty

For the period of one (1) year from the purchase date, Kolpin will replace for the original purchaser, free of charge, any part or parts found upon examination by Kolpin to be defective in material, workmanship, or both.

All transportation costs incurred submitting product to Kolpin for warranty consideration must be borne by the purchaser. If Kolpin determines that the product must be returned to the factory for credit, please call 1-877-956-5746 for a Return Merchandise Authorization (RMA) number and shipping instructions.

This warranty does not apply to parts that have been damaged by accident, alteration, abuse, improper maintenance, normal wear, or other causes beyond the manufacturer's control. In order to protect you and your ATV, certain parts of the accessory system and/or hardware are designed to fail when the equipment is over-stressed. Parts that are lost due to loosening and improper maintenance are not covered under warranty. This warranty does not cover removal or reinstallation labor fees of the plow system and related components.

Peripheral products such as engines, electric motors, and actuators may carry an original manufacturer's warranty. Most hardware is general in nature and is easily obtained locally. Be sure to replace with minimum metric class 8.8 specification.