

# Polaris RZR - Tilt Windshield



Product Instructions | Part No: 2754

**Application:** Verify accessory fitment at Kolpin.com.

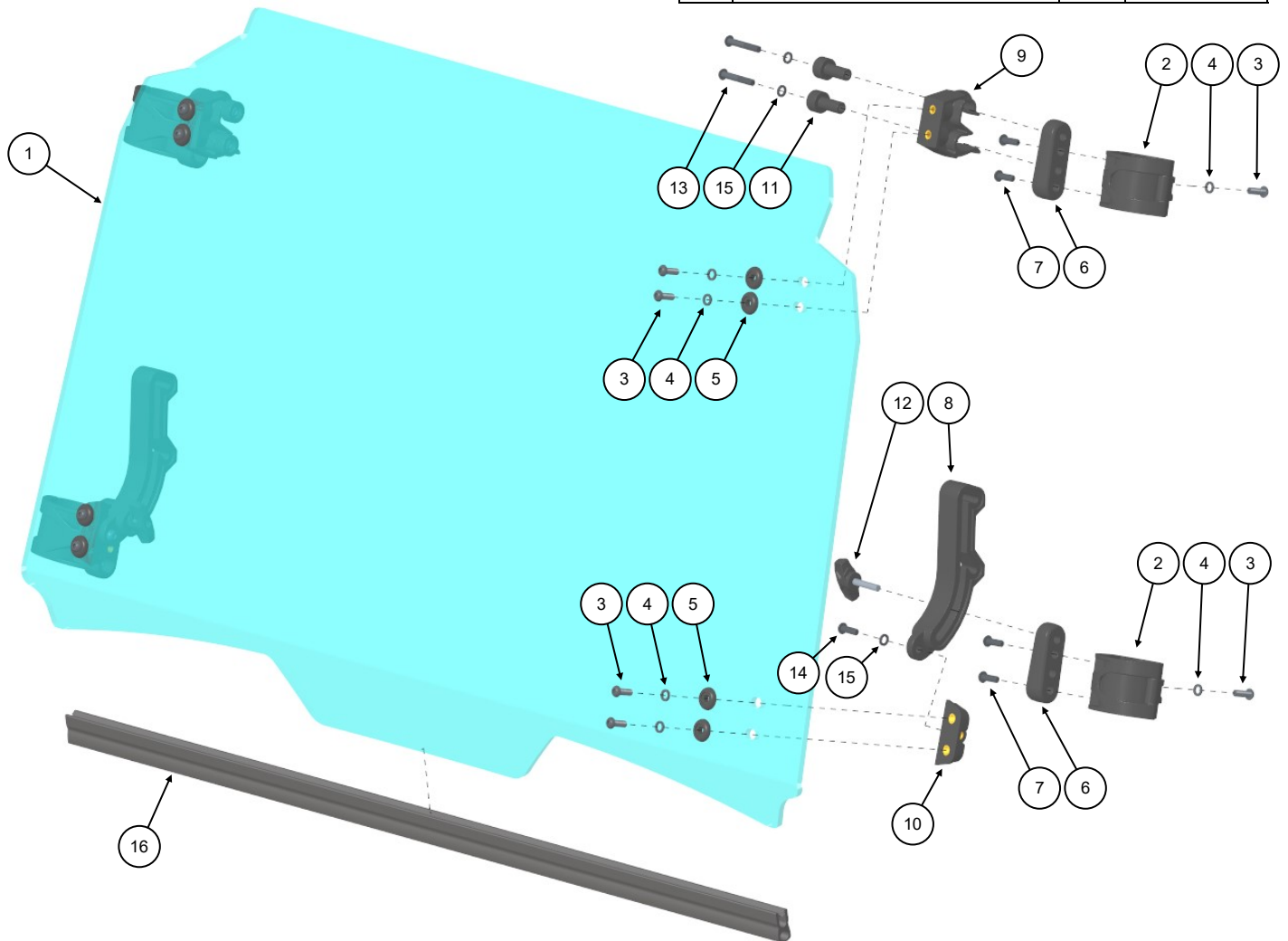
**Before You Begin:** Read these instructions and check to be sure all parts are accounted for. If any items are missing, do not return to the store. Call us at 1-877-956-5746 for assistance. Please retain these instructions for future reference and parts ordering information.

**Dealers:** Provide Instruction Manual to customer at time of purchase.

**Tools Required:** 4mm Hex Wrench (or Socket) and Torque Wrench

## Product Contents:

Item	Description	Qty	Part Number
1	Windshield Panel	1	
2	Clamp - 1.75" Diameter	4	K100137 (Qty 2)
3	M6 x 18mm Button Head Screw	12	
4	M6 Lock Washer	12	
5	Domed Shoulder Washer - M6	8	K100136 (Qty 1)
6	Angle Adapter	4	
7	M6 x 18mm Button Head Screw	8	K100135 (Qty 1)
8	Slide Arm	2	
9	Upper Pivot	2	
10	Lower Pivot	2	
11	Pivot Cylinder	4	
12	T-Knob	2	
13	M6 x 38mm Button Head Screw	4	
14	M6 x 18mm Button Head Screw	2	
15	M6 Lock Washer	6	
16	Bulb Seal - 36"	1	PUR3356



Kolpin Outdoors, Inc. | 9955 59th Ave N | Plymouth, MN 55442

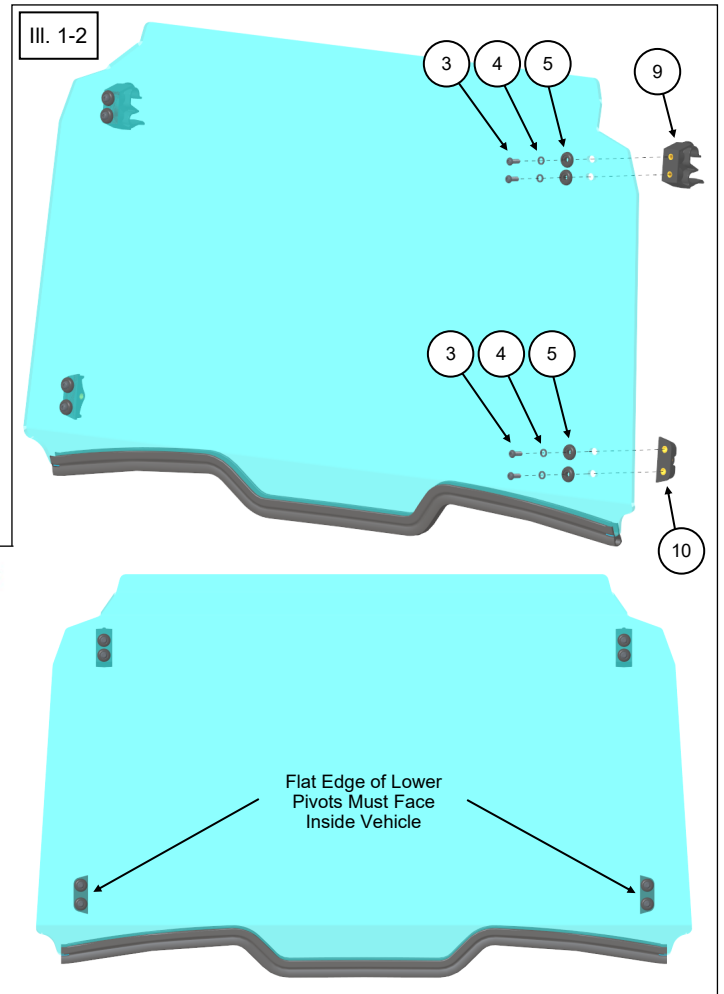
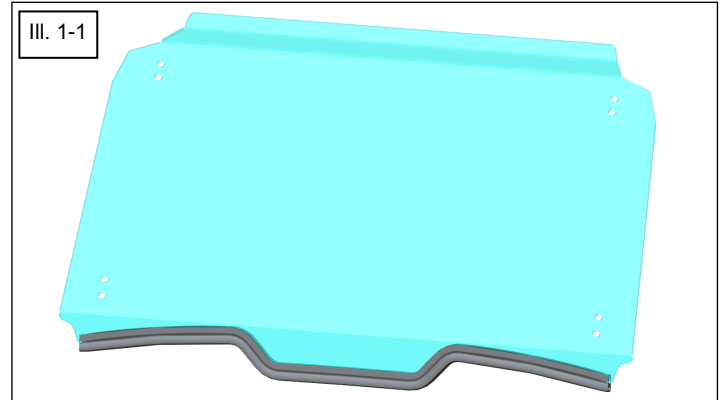
(877) 956-5746 or (763) 478-5800 | [www.kolpin.com](http://www.kolpin.com) | [customerservice@kolpin.com](mailto:customerservice@kolpin.com)

**Assembly Time:** Approximately 25 minutes

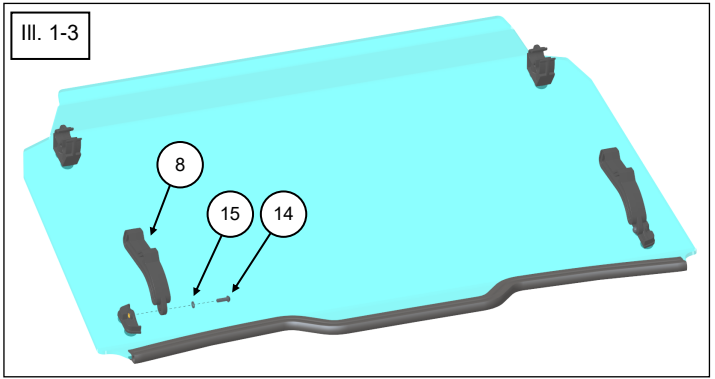
**Important:** This product is exclusively designed for your vehicle. Please read the installation instructions thoroughly before beginning. Installation is easier if the vehicle is clean and free of debris. For your safety, and to ensure a satisfactory installation, perform all installation steps correctly in the sequence shown.

### Installation Instructions:

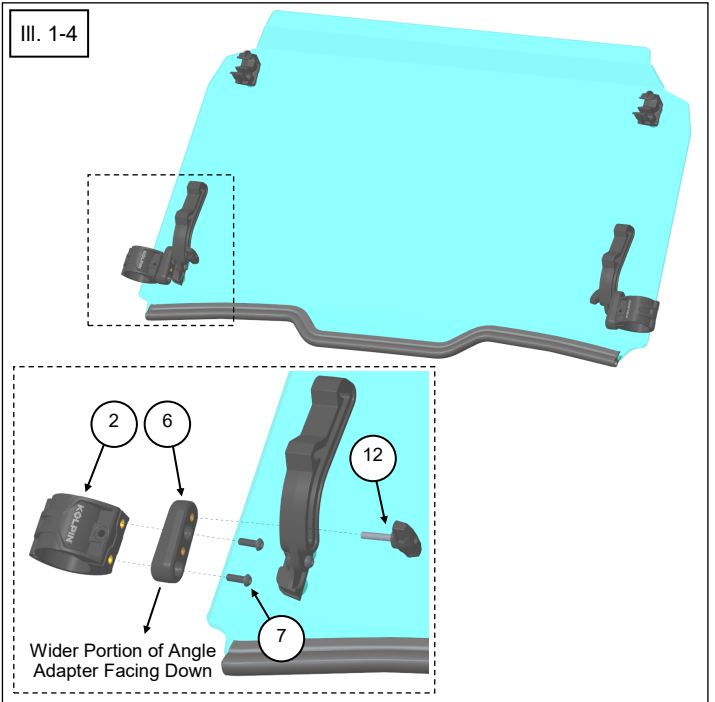
1. Shift vehicle transmission into PARK. Turn key to OFF position and remove from vehicle.
2. Carefully remove Windshield Panel from box and place on a clean flat surface that won't scratch the Windshield. We recommend leaving the protective film on both sides of the Windshield Panel during assembly and only partially peeling it back in locations where mounting components are attached.
3. Firmly press the Bulb Seal [Item 16] onto the bottom edge of the Windshield Panel. See Illustration 1-1.
4. During the initial assembly process, leave the hardware finger tight to allow for alignment and position adjustments until the final steps.
5. Attach the two Upper Pivots [Item 9] and two Lower Pivots [Item 10] to the back side of the Windshield Panel in the orientation shown. See Illustration 1-2.



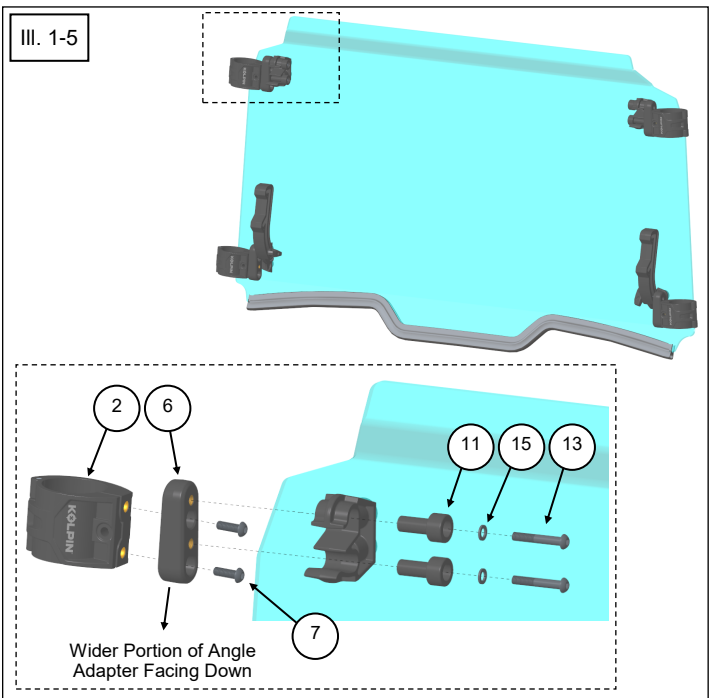
- Attach the two Slide Arms [Item 8] to the inward side of the Lower Pivots [Item 10]. See Illustration 1-3.



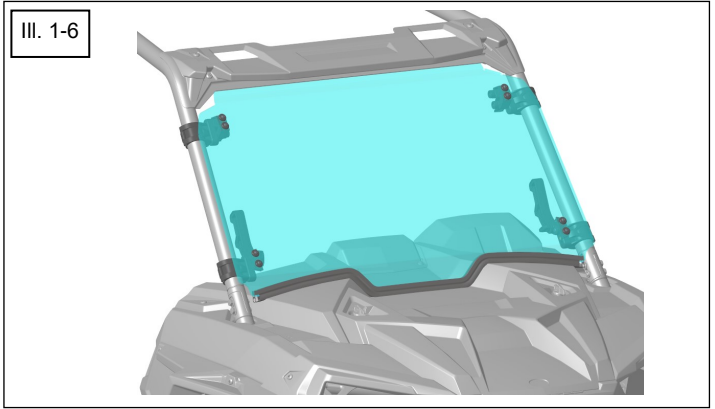
- Attach the two Angle Adapters [Item 6] to the two Clamps [Item 2] that go on the lower half of the Windshield. Then attach the Angle Adapter to the Slide Arm using the T-Knob [Item 12]. See Illustration 1-4.



- Attach the two Angle Adapters [Item 6] to the two Clamps [Item 2] that go on the upper half of the Windshield. Then attach the Angle Adapters to the Upper Pivots using two Pivot Cylinders [Item 11], per side. The Pivot Cylinders will fit loosely inside the Upper Pivot. See Illustration 1-5.




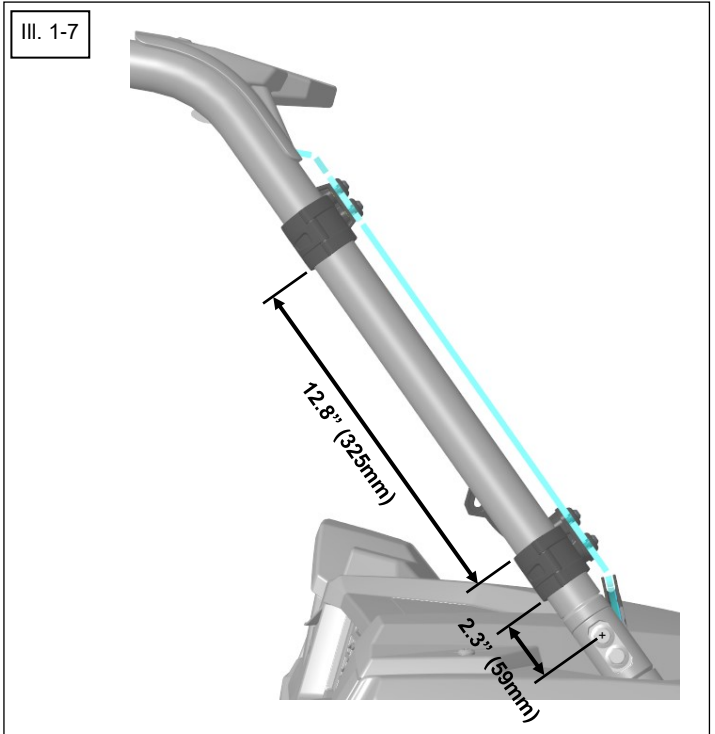
9. Carefully position the Windshield assembly onto vehicle Roll Cage and close all four Clamps [Item 2]. Loosely install one Lock Washer [Item 4] and one M6 x 18mm Button Head Screw [Item 3] to keep them shut. See Illustration 1-6.



10. Adjust the position of the Clamps so they are evenly spaced on each side. The Upper and Lower Clamps should be approximately 12.8" (325mm) apart. The Lower Clamp should be approximately 2.3" (59mm) from the Roll Cage Mounting Bolt, as shown. See Illustration 1-7.

11. Tighten all Button Head Screws [Item 3] to torque specification below.

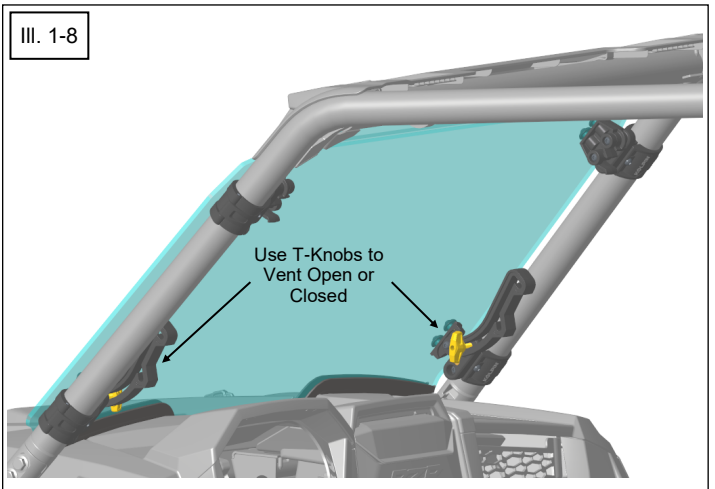
 = T
<b>SPECIFIED FASTENER TORQUE:</b> 7 ft. lbs. (84 in-lb) (9.5 Nm)



12. Remove the protective film from **BOTH** sides of the Windshield Panel. Protective film may be clear on one or both sides which can be difficult to see.

13. To tilt the Windshield open or closed, loosen the T-Knobs and slide the Slide Arms in or out, then re-tighten. See Illustration 1-8.

14. *Tip:* The Windshield Panel can be removed without tools by removing the T-Knobs and tilting the Windshield all the way up and unhinging the Upper Pivots from the Pivot Cylinders. This can be helpful for removing the Windshield Panel before trailering or removing on a hot or muddy day.



15. Re-inspect hardware before and after riding or trailering.



## DANGER



### TO AVOID SERIOUS INJURY OR DEATH:

1. DO NOT TRAILER VEHICLE FACING REARWARD WITH WINDSHIELD INSTALLED. AIRFLOW MAY CAUSE WINDSHIELD TO SEPARATE FROM VEHICLE, RESULTING IN AN ACCIDENT AND SEVERE INJURY OR DEATH. REMOVE WINDSHIELD OR TRANSPORT VEHICLE IN ENCLOSED TRAILER.
2. UTVs ARE TO ONLY BE DRIVEN WITH CLEAN WINDSHIELDS FOR DRIVING VISIBILITY. IF DIRT OR DEBRIS ACCUMULATES ON THE WINDSHIELD WHEN RIDING, STOP THE UTV AT THE NEXT SAFE LOCATION ON THE TRAIL TO CLEAR OFF THE WINDSHIELD BEFORE YOU RESUME RIDING.
3. ONLY INSTALL WINDSHIELDS THAT ARE DESIGNED FOR THE MAKE AND MODEL OF THE UTV. INSTALLATION OF A WINDSHIELD THAT WAS NOT DESIGNED FOR THE UTV MAKE AND MODEL CAN IMPACT WINDSHIELD DURABILITY AND PERFORMANCE.
4. READ AND UNDERSTAND WINDSHIELD INSTRUCTION SHEETS AND UTV OWNER MANUAL BEFORE WINDSHIELD INSTALLATION OR OPERATING THE VEHICLE.
5. PERIODICALLY CHECK FOR WEAR AND TIGHTNESS OF ALL FASTENERS. ALWAYS INSPECT BEFORE AND AFTER RIDING OR TRAILERING. REPLACE OR RE-TORQUE FASTENERS AS NECESSARY.

### Windshield Cleaning Information:

- Remove all dirt, mud, dust and debris from Windshield with water before cleaning.
- Use a mild soap or dishwashing detergent along with a soft sponge or soft cotton cloth to clean Windshield surface. Do not apply in direct sunlight. Rinse with water immediately and dry with a soft cotton cloth or chamois.
- Always test cleaning agents in a small inconspicuous area prior to cleaning entire panel.
- Never use Windshield cleaning fluids (409, Windex, etc.), gasoline, high alkaline cleaners, or solvents.
- Never use abrasives, brushes, razor blades, scrapers, squeegees, gloves or dirty cloths.

For additional assistance, please contact Kolpin customer service department at (877) 956-5746 or (763) 478-5800 or email [customerservice@kolpin.com](mailto:customerservice@kolpin.com).

### One Year Limited Warranty

For the period of one (1) year from the purchase date, Kolpin will replace for the original purchaser, free of charge, any part or parts found upon examination by Kolpin to be defective in material, workmanship, or both.

All transportation costs incurred submitting product to Kolpin for warranty consideration must be borne by the purchaser. If Kolpin determines that the product must be returned to the factory for credit, please call 1-877-956-5746 for a Return Merchandise Authorization (RMA) number and shipping instructions.

This warranty does not apply to parts that have been damaged by accident, alteration, abuse, improper maintenance, normal wear, or other causes beyond the manufacturer's control. In order to protect you and your ATV, certain parts of the accessory system and/or hardware are designed to fail when the equipment is over-stressed. Parts that are lost due to loosening and improper maintenance are not covered under warranty. This warranty does not cover removal or reinstallation labor fees of the plow system and related components.

Peripheral products such as engines, electric motors, and actuators may carry an original manufacturer's warranty. Most hardware is general in nature and is easily obtained locally. Be sure to replace with minimum metric class 8.8 specification.