

Kawasaki Teryx - Rear Windshield Panel

Product Instructions | Part No: 1466



Application: Verify accessory fitment at Kolpin.com.

Before You Begin: Read these instructions and check to be sure all parts are accounted for. If any items are missing, do not return to the store. Call us at 1-877-956-5746 for assistance. Please retain these instructions for future reference and parts ordering information.

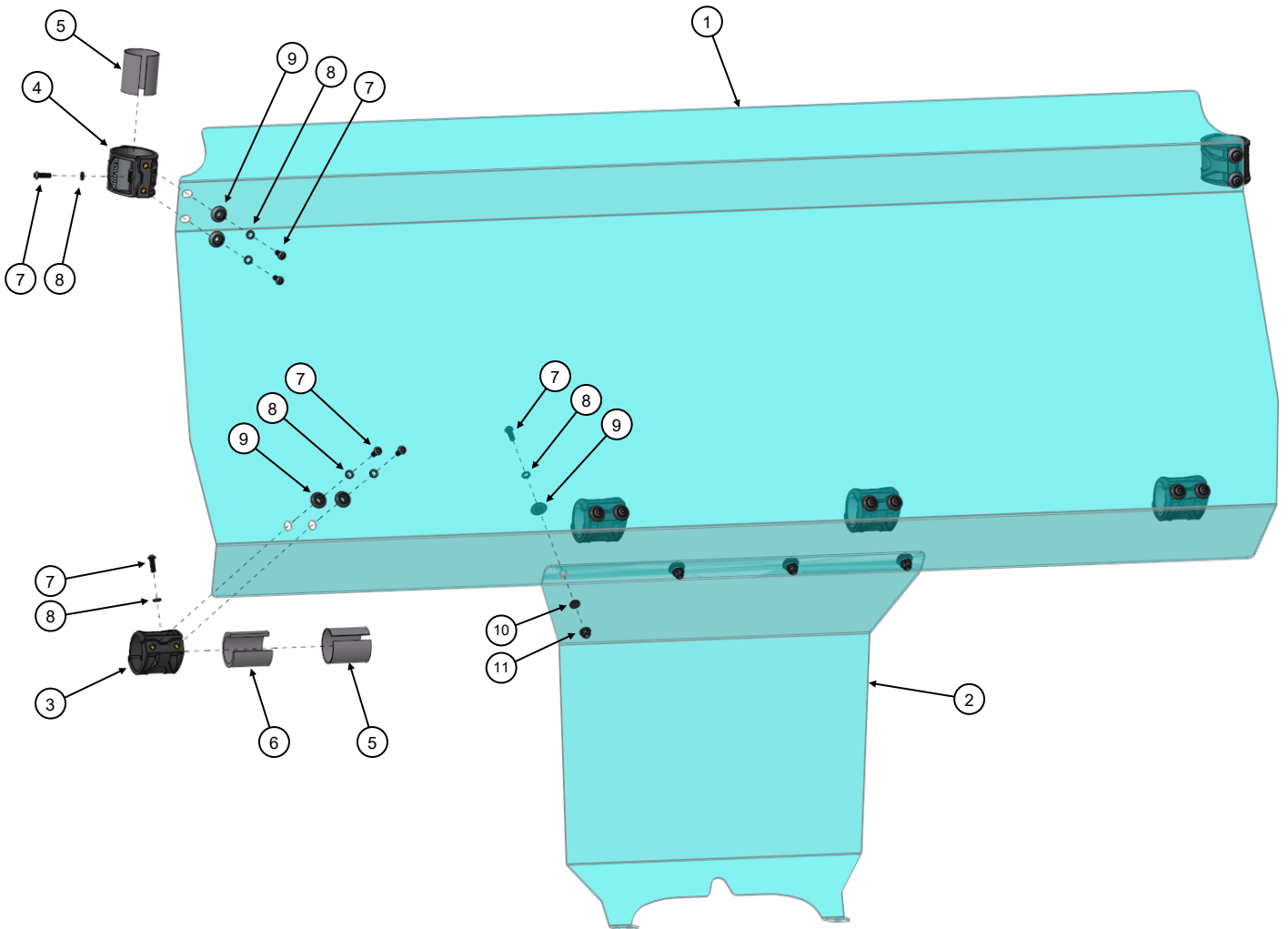
Dealers: Provide Instruction Manual to customer at time of purchase.

Tools Required: 4mm Hex Wrench or Socket, 10mm Wrench, Phillips Head Screwdriver, and Torque Wrench

Product Contents:

Item	Description	Qty	Part Number
1	Upper Panel	1	
2	Lower Panel	1	
3	Clamp - 1.75" Diameter	4	K100137 (Qty 2)
4	Clamp - 2.00" Diameter	2	K100121 (Qty 1)
5	Clamp Spacer - 1.6mm Thick	6 <i>(*8 Provided)</i>	K100138 (Qty 2)
6	Clamp Spacer - 4.6mm Thick	4	K100130 (Qty 2)
7	Button Head Screw - M6 x 18mm	22	K100172 (Qty 2)
8	Lock Washer - M6	22	
9	Domed Shoulder Washer - M6	16	
10	Flat Shoulder Washer - M6	4	
11	Lock Nut - M6	4	
12	Nylon Spacer - 14mm Lg	Not Used <i>(*4 Provided)</i>	

**Extra Component Quantity Provided Can Be Discarded*



Kolpin Outdoors, Inc. | 9955 59th Ave N | Plymouth, MN 55442

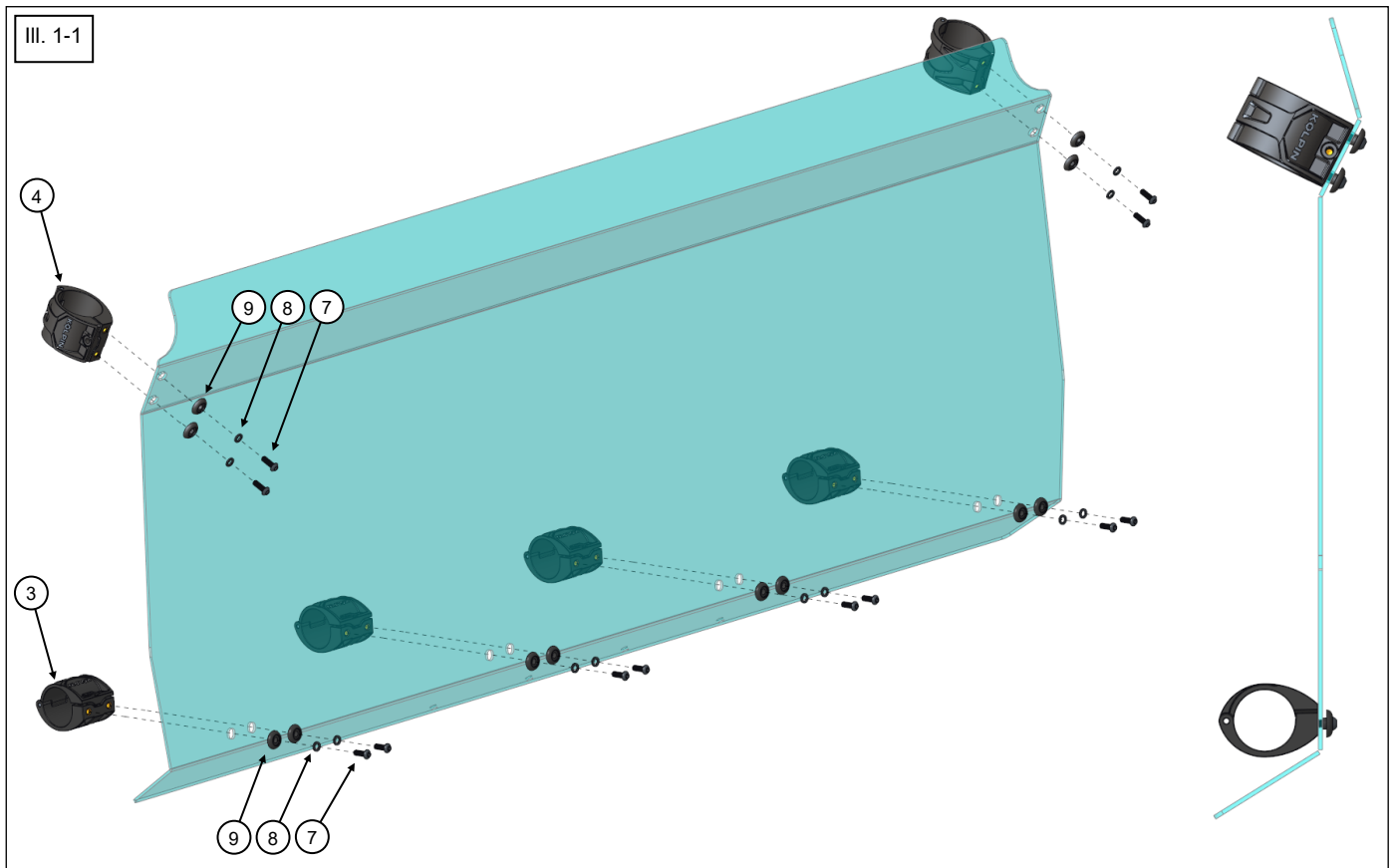
(877) 956-5746 or (763) 478-5800 | www.kolpin.com | customerservice@kolpin.com

Assembly Time: Approximately 25 minutes

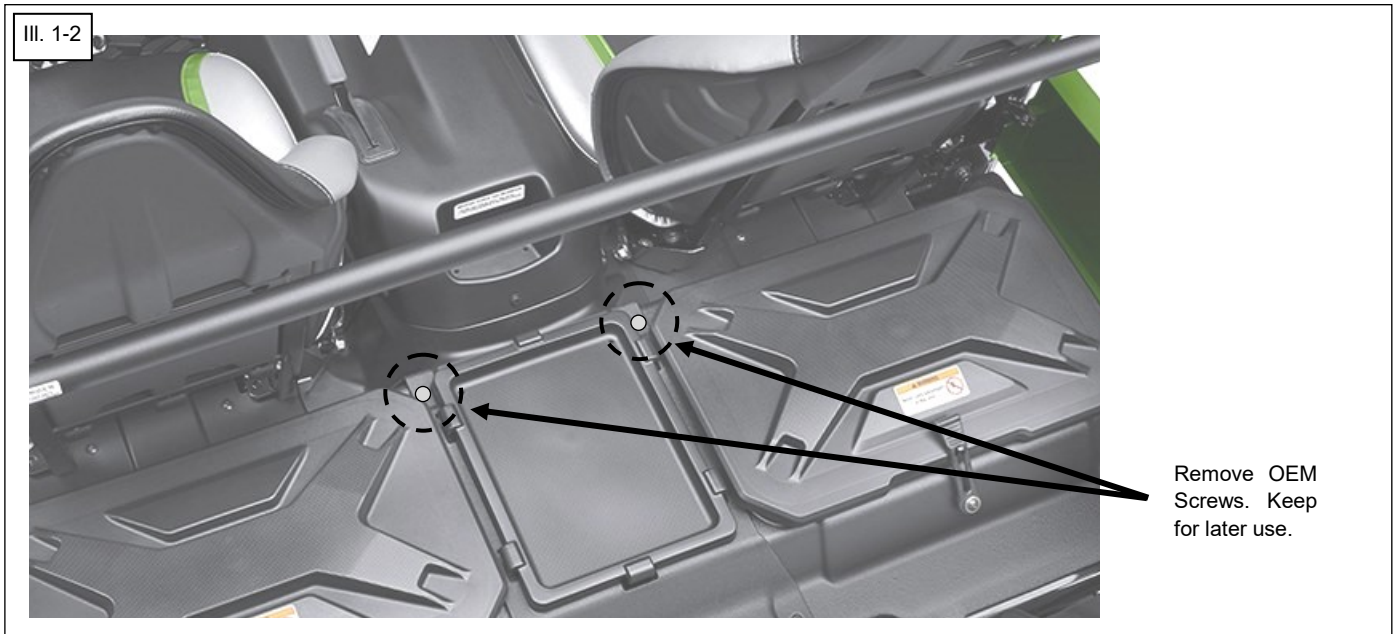
Important: This product is exclusively designed for your vehicle. Please read the installation instructions thoroughly before beginning. Installation is easier if the vehicle is clean and free of debris. For your safety, and to ensure a satisfactory installation, perform all installation steps correctly in the sequence shown.

Installation Instructions:

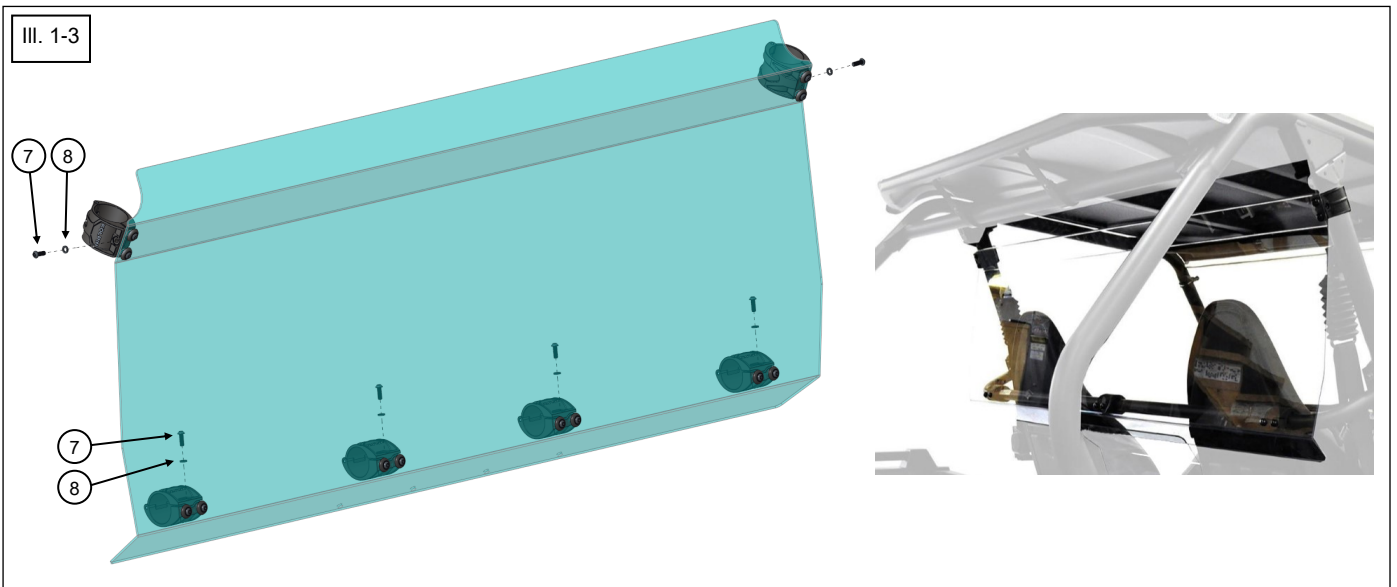
1. Shift vehicle transmission into PARK. Turn key to OFF position and remove from vehicle.
2. Carefully remove Windshield Panels from box and place on a clean flat surface that won't scratch the Panels. We recommend leaving the protective film on both sides of the Windshield Panel during assembly and only partially peeling it back in locations where mounting components are attached. Protective film may be clear on one or both sides which can be difficult to see.
3. Leave all hardware finger tight to allow for adjustments and tighten as indicated during final steps.
4. Attach the two 2.00" Diameter Clamps [Item 4] to the top half of the Upper Panel and the four 1.75" Diameter Clamps [Item 3] to the lower half of the Upper Panel as shown. The Kolpin logo on the 2.00" Diameter Clamps should face outside the vehicle. The Kolpin logo on the 1.75" Diameter Clamps should face upwards. See Illustration 1-1.



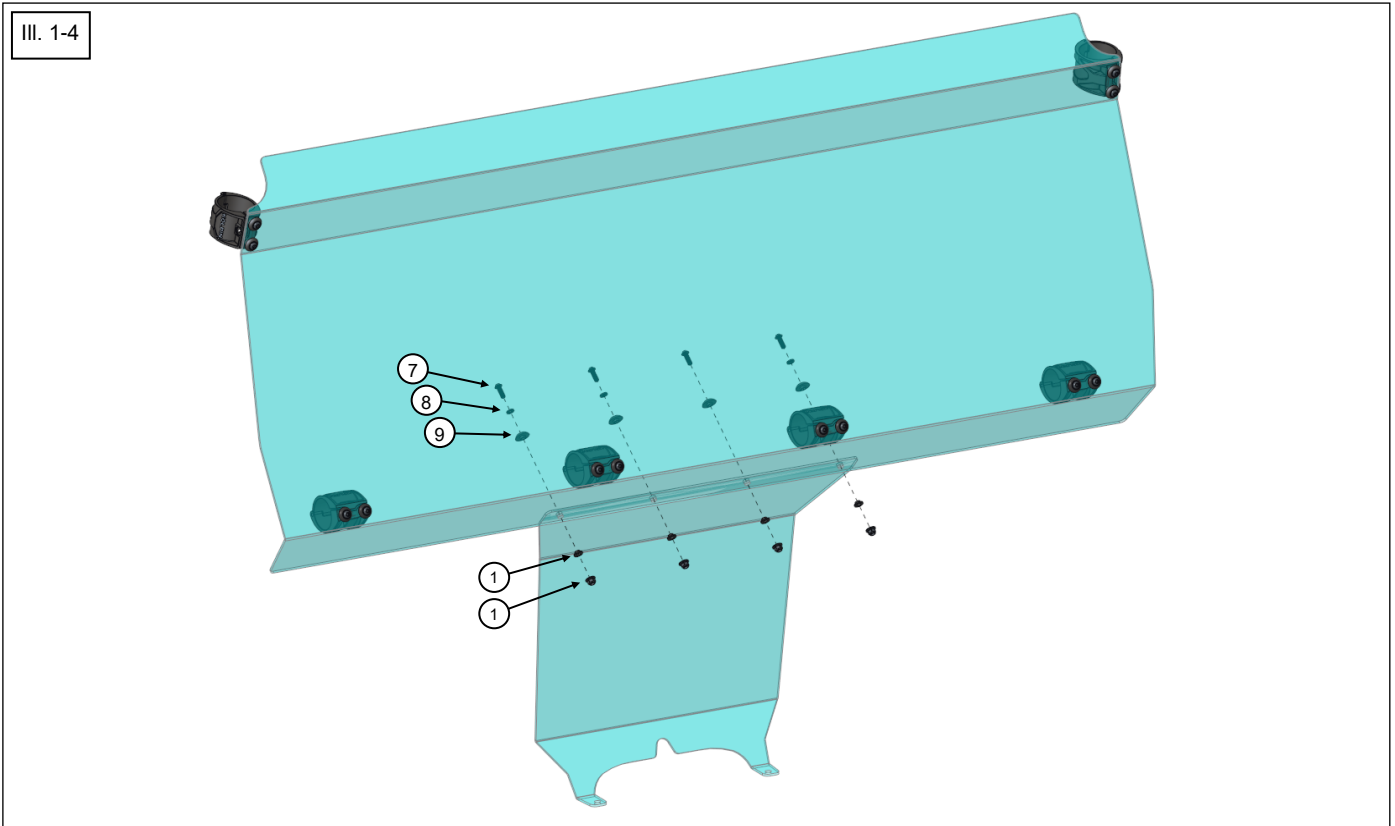
5. Remove the two OEM Screws located behind the center console as shown below. Keep Screws for later use. See Illustration 1-2.



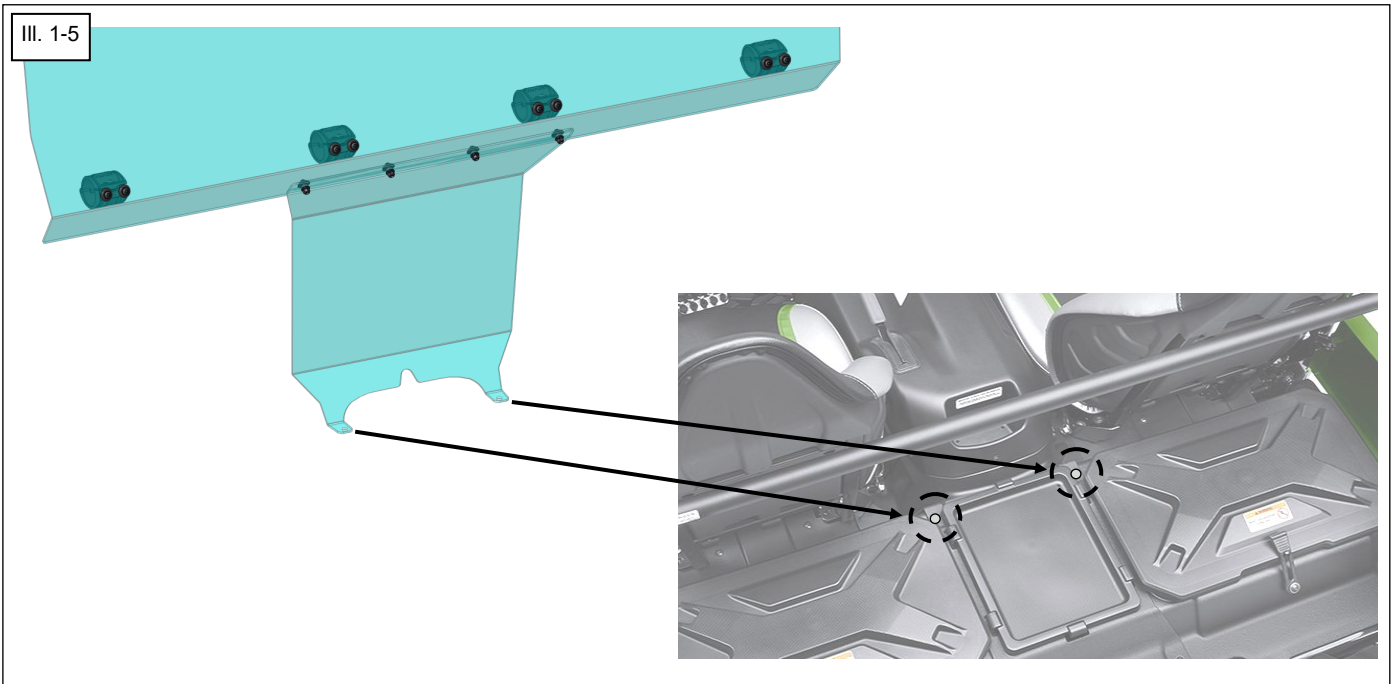
6. Attach the Upper Panel assembly to the vehicle Roll Cage. Loosely install the hardware into each Clamp. The rubber Clamp Spacers [Items 5 & 6] will be installed in later steps. See Illustration 1-3.



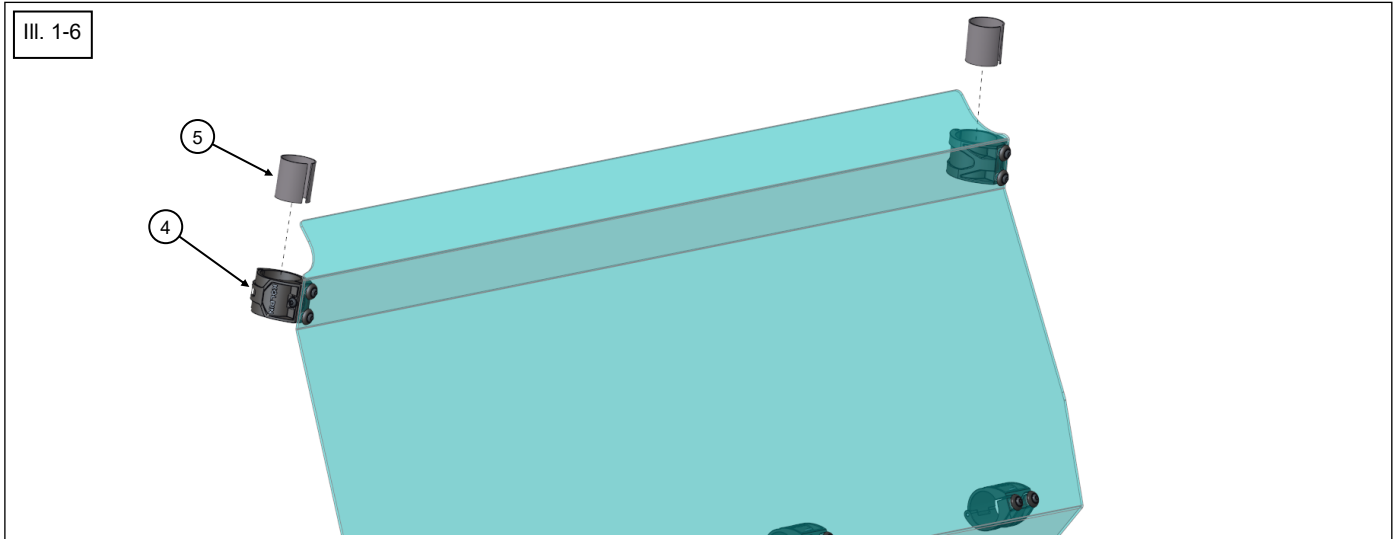
7. Attach the Lower Panel to the Upper Panel as shown. The Lower Panel should be attached to side facing the front of the vehicle on the Upper Panel. See Illustration 1-4.



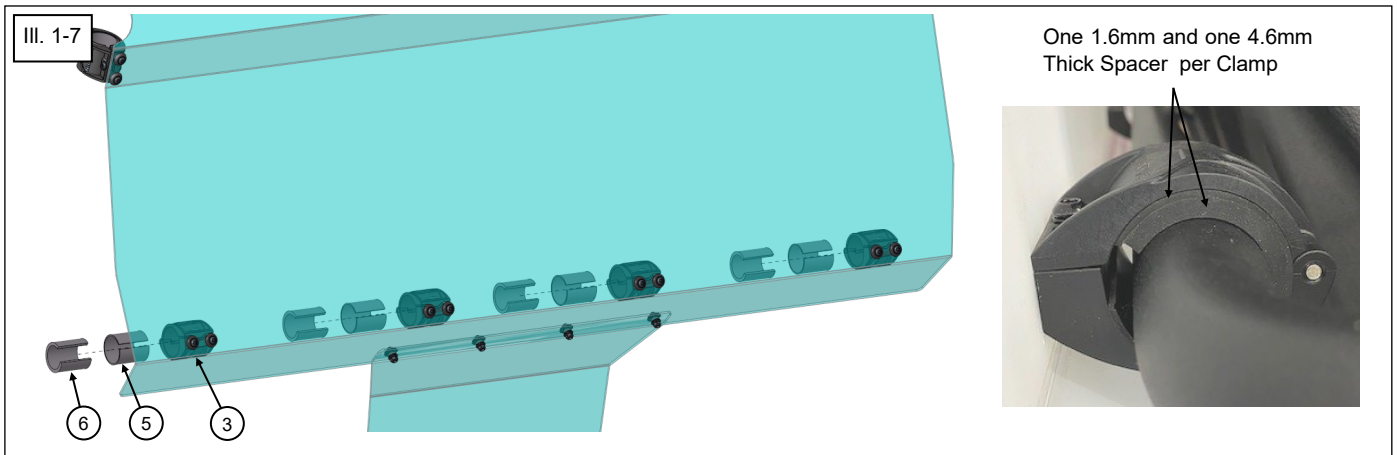
8. Re-install the OEM Screws from Step 5 into the lower two holes of the Lower Panel. See Illustration 1-5.



9. Insert one 1.6mm Thick Clamp Spacer [Item 5] into each of the 2.00 Diameter Clamps [Item 4] on the Upper Panel. See Illustration 1-6.




10. Insert one 1.6mm Thick Clamp Spacer [Item 5] **AND** one 4.6mm Thick Clamp Spacer [Item 6] into each of the 1.75 Diameter Clamps [Item 3] on the Upper Panel. See Illustration 1-7.



11. Assure the Windshield is aligned evenly before tightening hardware.

12. Tighten all hardware to the torque specification below.

 = T
SPECIFIED FASTENER TORQUE: 7 ft. lbs. (84 in-lb) (9.5 Nm)

13. Remove the protective film from **BOTH** sides of the Windshield Panel. Protective film may be clear on one or both sides which can be difficult to see.

14. Re-inspect hardware before and after riding or trailering.



DANGER



TO AVOID SERIOUS INJURY OR DEATH:

1. DO NOT TRAILER VEHICLE FACING REARWARD WITH WINDSHIELD INSTALLED. AIRFLOW MAY CAUSE WINDSHIELD TO SEPARATE FROM VEHICLE, RESULTING IN AN ACCIDENT AND SEVERE INJURY OR DEATH. REMOVE WINDSHIELD OR TRANSPORT VEHICLE IN ENCLOSED TRAILER.
2. UTVs ARE TO ONLY BE DRIVEN WITH CLEAN WINDSHIELDS FOR DRIVING VISIBILITY. IF DIRT OR DEBRIS ACCUMULATES ON THE WINDSHIELD WHEN RIDING, STOP THE UTV AT THE NEXT SAFE LOCATION ON THE TRAIL TO CLEAR OFF THE WINDSHIELD BEFORE YOU RESUME RIDING.
3. ONLY INSTALL WINDSHIELDS THAT ARE DESIGNED FOR THE MAKE AND MODEL OF THE UTV. INSTALLATION OF A WINDSHIELD THAT WAS NOT DESIGNED FOR THE UTV MAKE AND MODEL CAN IMPACT WINDSHIELD DURABILITY AND PERFORMANCE.
4. READ AND UNDERSTAND WINDSHIELD INSTRUCTION SHEETS AND UTV OWNER MANUAL BEFORE WINDSHIELD INSTALLATION OR OPERATING THE VEHICLE.
5. PERIODICALLY CHECK FOR WEAR AND TIGHTNESS OF ALL FASTENERS. ALWAYS INSPECT BEFORE AND AFTER RIDING OR TRAILERING. REPLACE OR RE-TORQUE FASTENERS AS NECESSARY.

Windshield Cleaning Information:

- Remove all dirt, mud, dust and debris from Windshield with water before cleaning.
- Use a mild soap or dishwashing detergent along with a soft sponge or soft cotton cloth to clean Windshield surface. Do not apply in direct sunlight. Rinse with water immediately and dry with a soft cotton cloth or chamois.
- Always test cleaning agents in a small inconspicuous area prior to cleaning entire panel.
- Never use Windshield cleaning fluids (409, Windex, etc.), gasoline, high alkaline cleaners, or solvents.
- Never use abrasives, brushes, razor blades, scrapers, squeegees, gloves or dirty cloths.

For additional assistance, please contact Kolpin customer service department at (877) 956-5746 or (763) 478-5800 or email customerservice@kolpin.com.

One Year Limited Warranty

For the period of one (1) year from the purchase date, Kolpin will replace for the original purchaser, free of charge, any part or parts found upon examination by Kolpin to be defective in material, workmanship, or both.

All transportation costs incurred submitting product to Kolpin for warranty consideration must be borne by the purchaser. If Kolpin determines that the product must be returned to the factory for credit, please call 1-877-956-5746 for a Return Merchandise Authorization (RMA) number and shipping instructions.

This warranty does not apply to parts that have been damaged by accident, alteration, abuse, improper maintenance, normal wear, or other causes beyond the manufacturer's control. In order to protect you and your ATV, certain parts of the accessory system and/or hardware are designed to fail when the equipment is over-stressed. Parts that are lost due to loosening and improper maintenance are not covered under warranty. This warranty does not cover removal or reinstallation labor fees of the plow system and related components.

Peripheral products such as engines, electric motors, and actuators may carry an original manufacturer's warranty. Most hardware is general in nature and is easily obtained locally. Be sure to replace with minimum metric class 8.8 specification.