



# UTV Windshield Rear Panel

For Polaris Ranger 500/700 2005-09

Part # 2730

## ASSEMBLY / OWNERS MANUAL

Before you begin, please read and understand these instructions. Also review the box contents to ensure all parts are accounted for.



Kolpin Outdoors, Inc. | 9955 59th Ave N | Plymouth, MN 55442

(877) 956-5746 or (763) 478-5800 | [www.kolpin.com](http://www.kolpin.com) | [customerservice@kolpin.com](mailto:customerservice@kolpin.com)

## BEFORE YOU BEGIN

Thank You and congratulations on your purchase! Kolpin windshields are the most durable windshields in the industry. With proper installation, care, and maintenance, your Kolpin windshield will last for years to come! Before You Begin:

- Inspect the contents of the package to ensure all parts and tools are accounted for. If any hardware is missing, do not return to the store. Call Kolpin directly for assistance. Toll Free 1-877-956-5746.
- Please read and understand all assembly instructions, notices and warnings before assembling and operating your Kolpin windshield.
- For proper installation, two people are highly recommended.
- Keep these instructions for future reference. Dealers: Provide owner manual to customer at time of purchase.
- To facilitate installation, make sure your vehicle is clean and free of debris.
- All directions referring to right and left are when the rider is sitting on the machine.



## APPROXIMATE ASSEMBLY TIME: 30 minutes

### TOOLS REQUIRED FOR INSTALLATION:

- 4 mm hex socket or hex key

### SAFETY INFORMATION

Our windshields were designed with your safety in mind. Please read and understand all Cautions, Notices and Warnings in this manual before you begin.

 **DANGER** 

**TO AVOID SERIOUS INJURY OR DEATH:**

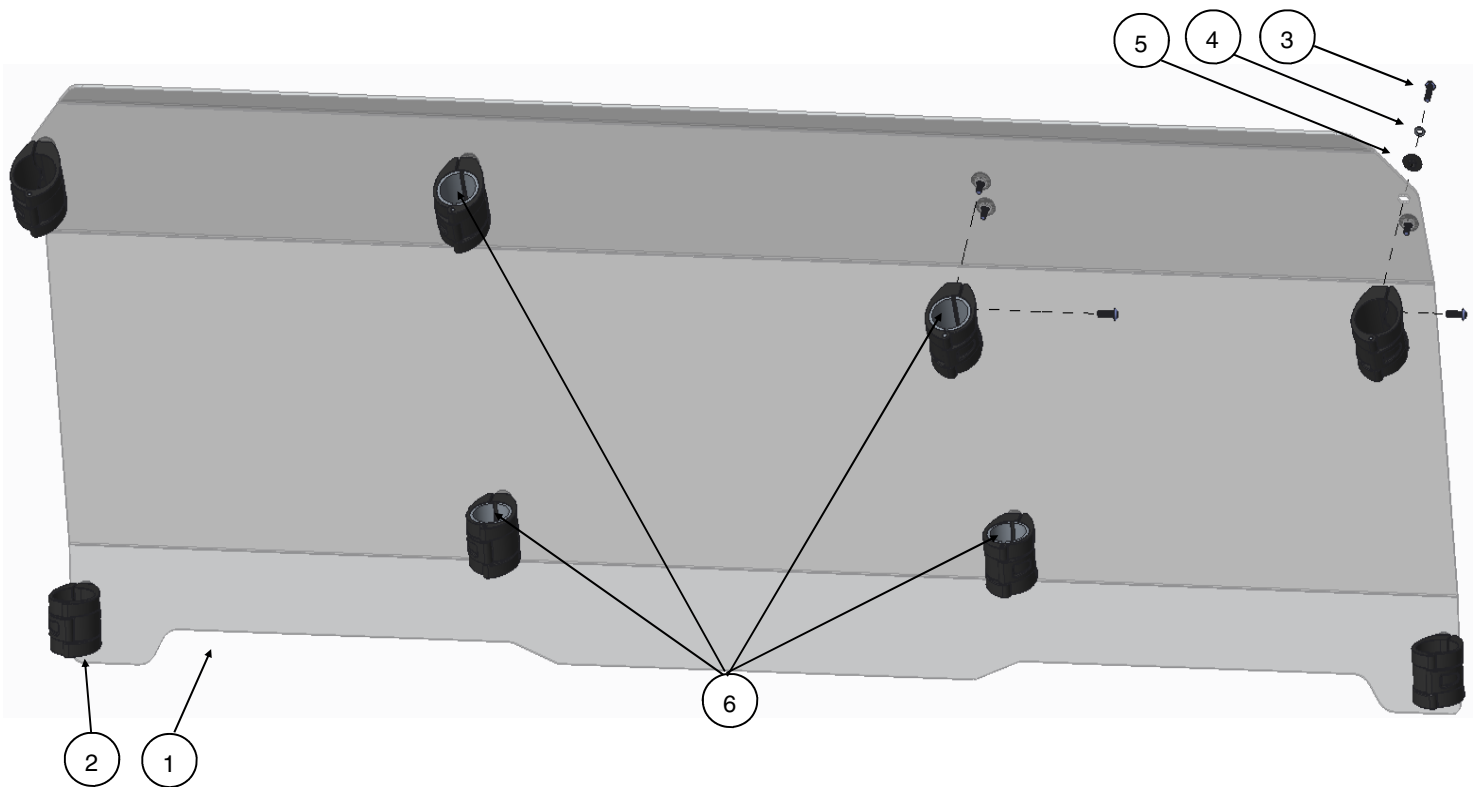
1. OPEN POSITIONS ON FULL TILTING WINDSHIELDS ARE DESIGNED FOR LOW-SPEED RIDING ONLY.
2. IF VEHICLE IS TRAIERED FACING FORWARD, FULL TILTING WINDSHIELDS MUST BE IN THE CLOSED POSITION WITH TILTING T KNOBS TIGHTENED. FAILURE TO CLOSE AND SECURE THE WINDSHIELD MAY ALLOW AIRFLOW TO SEPARATE WINDSHIELD FROM VEHICLE, RESULTING IN AN ACCIDENT AND SEVERE INJURY OR DEATH. DO NOT TRAILER VEHICLE FACING REARWARD WITH WINDSHIELD INSTALLED. AIRFLOW MAY CAUSE WINDSHIELD TO SEPARATE FROM VEHICLE, RESULTING IN AN ACCIDENT AND SEVERE INJURY OR DEATH. REMOVE WINDSHIELD OR TRANSPORT VEHICLE IN ENCLOSED TRAILER.
3. UTVs ARE TO ONLY BE DRIVEN WITH CLEAN WINDSHIELDS FOR DRIVING VISIBILITY. IF DIRT OR DEBRIS ACCUMULATES ON THE WINDSHIELD WHEN RIDING, STOP THE UTV AT THE NEXT SAFE LOCATION ON THE TRAIL TO CLEAR OFF THE WINDSHIELD BEFORE RESUMING RIDING.
4. ONLY INSTALL WINDSHIELDS THAT ARE DESIGNED FOR THE MAKE AND MODEL OF THE UTV. INSTALLATION OF A WINDSHIELD THAT WAS NOT DESIGNED FOR THE UTV MAKE AND MODEL CAN IMPACT WINDSHIELD DURABILITY AND PERFORMANCE.
5. READ AND UNDERSTAND WINDSHIELD INSTRUCTION SHEETS AND UTV OWNER MANUAL BEFORE WINDSHIELD INSTALLATION OR OPERATING THE VEHICLE.
6. PERIODICALLY CHECK FOR WEAR AND TIGHTNESS OF ALL FASTENERS. REPLACE OR RE-TORQUE FASTENERS AS NECESSARY.

**If any hardware is missing, do not return to the store. Call Kolpin directly for assistance.**

**Toll Free 1-877-956-5746**

**Kit Contents:**

Item	Part Description	Qty	Spare Kit PNs	
			K100137	K100138
1	Windshield	1		
2	Clamp Assembly - 1.75"	8	2	
3	Button Head - M6 x 18mm	24	6	
4	Lock Washer - M6	24	6	
5	Dome Shoulder Washer - M6	16	4	
6	Clamp Spacer	8		4



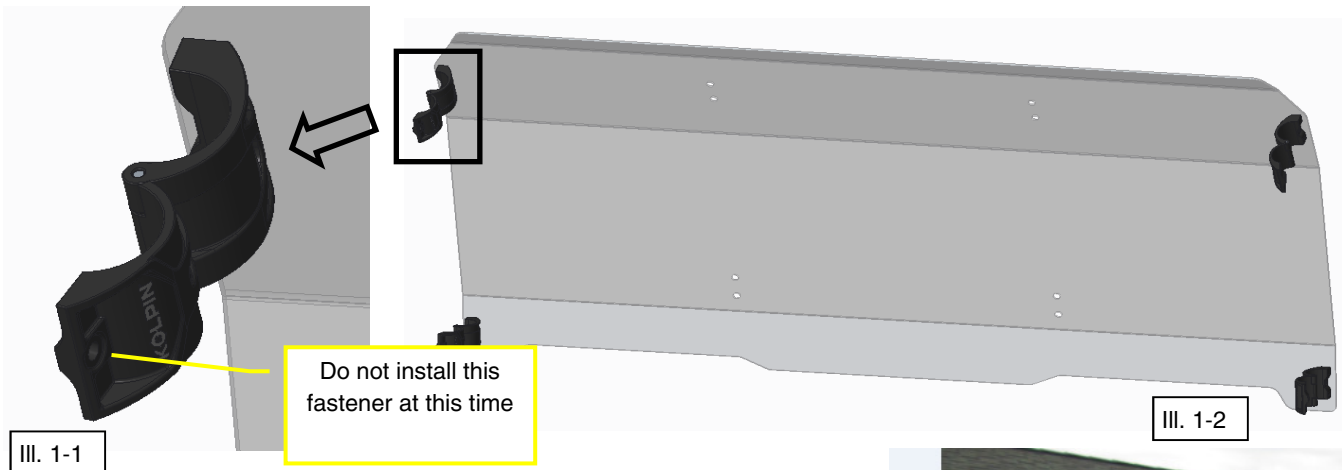
### Installation Prep:

1. To facilitate installation, make sure that your vehicle is clean and free of debris.
2. All directions referring to right and left are when the rider is sitting on the machine.

### Installation:

1. Remove the Windshield (Item 1) from the box and set on a clean flat surface with the protective film still in tact.
2. Peel back the protective film from the inside and outside surfaces of the panel so the film is not covering the hole pattern.
3. Loosely install (4) Clamps (Item 2) into the (4) corner positions on the windshield, using (8) M6 x 18 Button Heads (Item 3), (8) Lock Washers (Item 4) and (8) M6 Domed Shoulder Washers (Item 5). Clamps should be positioned with the "Kolpin" logo facing out. See Illustration 1-1 & 1-2.

Note: Only assemble the clamps to the windshields, do not assemble the 3rd faster on the clamp at this time. As the result, the male half of the clamp will be hanging freely.



1. Ensure the clamps are open. With one person on the drivers side and one person on the passengers side, position the Windshield assembly onto the ROPS and loosely install (1) M6 x 18 Button Head (Item 3) and (1) M6 Lock Washer in each of the (4) clamps to secure to the ROPS. See III 1-3.
2. Adjust the windshield assembly so that its parallel to the upper ROPS and remove protective film. See Illustration 1-4.



III. 1-4


III. 1-3



6. Position a clamp (Item 2) with (2) Clamp spacers (Item 6) around one of the interior vertical ROPS and loosely assemble to the windshield using (2) M6 x 18 Button Heads (Item 3), (2) Lock Washers (Item 4), and (2) Dome Washers (Item 5). Loosely secure the male and female clamp parts around the ROPS using a M6 x 18 Button Head (Item 3) and a Lock Washer (Item 4). See Illustrations 1-5 & 1-6.



7. Repeat the assembly process for the remaining (3) clamps.
8. Tighten to specification all the hardware at this time.

 = T
<b>6MM FASTENER TORQUE:</b>
7 ft. lbs. (9 Nm)

## One Year Limited Warranty

For the period of one (1) year from the purchase date, Kolpin will replace for the original purchaser, free of charge, any part or parts found upon examination by Kolpin to be defective in material, workmanship, or both.

All transportation costs incurred submitting product to Kolpin for warranty consideration must be borne by the purchaser. If Kolpin determines that the product must be returned to the factory for credit, please call 1-877-956-5746 for a Return Merchandise Authorization (RMA) number and shipping instructions.

This warranty does not apply to parts that have been damaged by accident, alteration, abuse, improper maintenance, normal wear, or other causes beyond the manufacturer's control. In order to protect you and your ATV, certain parts of the accessory system and/or hardware are designed to fail when the equipment is over-stressed. Parts that are lost due to loosening and improper maintenance are not covered under warranty. This warranty does not cover removal or reinstallation labor fees of the plow system and related components.

Peripheral products such as engines, electric motors, and actuators may carry an original manufacturer's warranty. Most hardware is general in nature and is easily obtained locally. Be sure to replace with minimum metric class 8.8 specification.