

FENCE SPOOLER KIT



P/N 2883280

APPLICATION

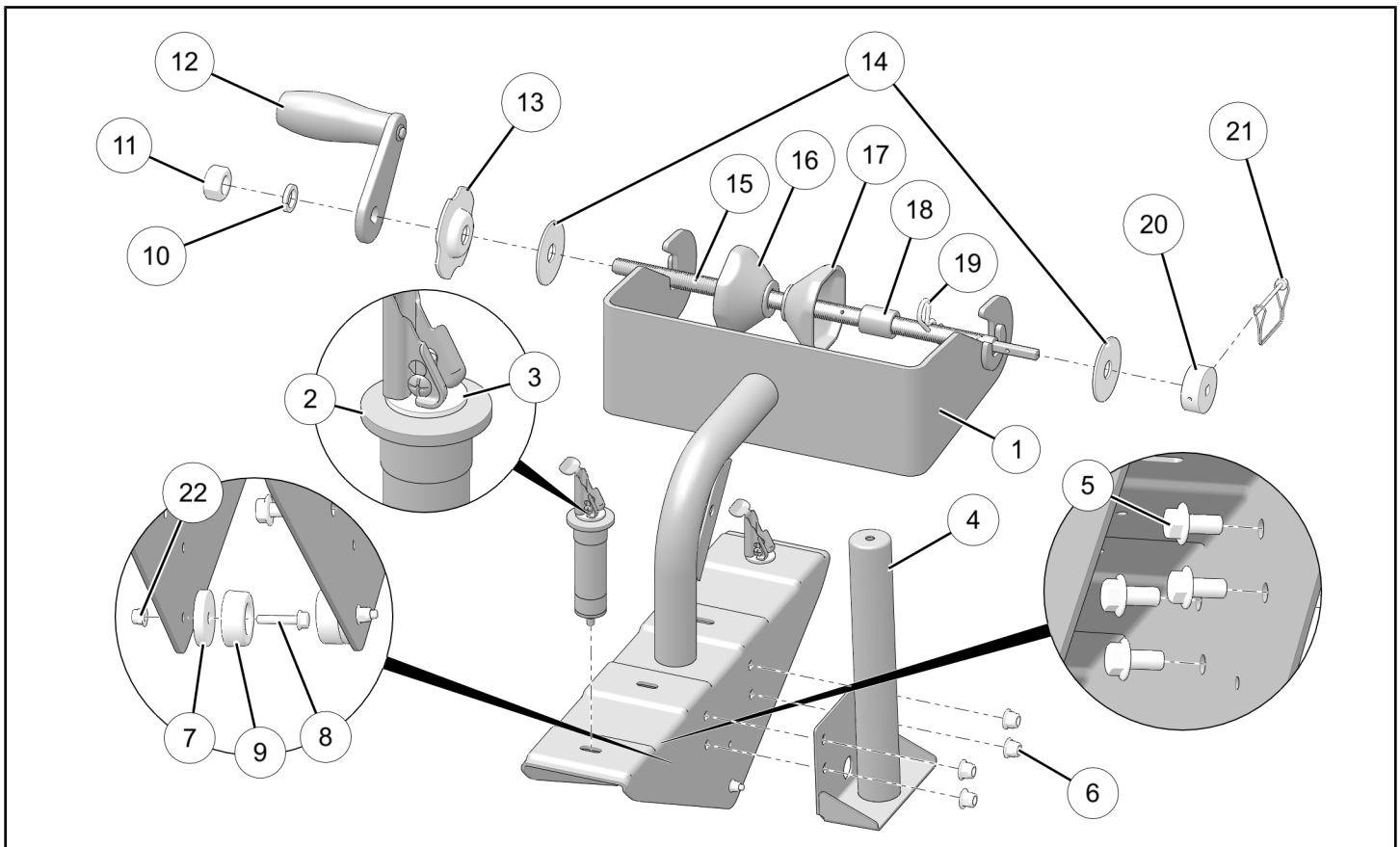
Verify accessory fitment at Polaris.com.

BEFORE YOU BEGIN

Read these instructions and check to be sure all parts and tools are accounted for. Please retain these installation instructions for future reference and parts ordering information.

KIT CONTENTS

This Kit includes:



REF	QTY	PART DESCRIPTION	PART NUMBER
1	1	Frame, Spooler	-
2	2	Expansion Anchor Kit, Lock & Ride®	2875250
3	2	Washer - 8.4 X 35.0 X 2.5	7556139
4	1	Holder, Post Pounder	-
5	4	Bolt, Hex Flange - M10 X 1.5 X 20	-
6	4	Nut, Hex Flange - M10 X 1.5	-
7*	2	Spacer, Plastic	-

REF	QTY	PART DESCRIPTION	PART NUMBER
8*	2	Bolt, Hex Flange - M6 X 1.0 X 30	-
	2	Bolt, Hex Flange - M6 X 1.0 X 25 (not shown)	-
9*	2	Bumper, Rubber	5412067
10	1	Washer, Spring Lock - M20	-
11	1	Nut, Hex - 3/4-5	-
12	1	Handle Assembly	-
13	1	Plate, Threaded	-
14	2	Washer	-
15	1	Rod, Threaded	-
16	1	Cone Assembly, Threaded	-
17	1	Cone Assembly, Slip	-
18*	1	Sleeve, Cone	-
19	1	Clip, Hairpin- 3.25 X 11/64	-
20*	1	Block, Pin	-
21	1	Pin, Wire Lock - 60 X 4	-
22*	2	Nut, Hex Flange, Locking - M6 X 1.0	-
	1	Instructions	9927311

Items marked (*) are included in Hardware Kit PN 2206431.

TOOLS REQUIRED

- Safety Glasses
- Pliers, Locking
- Screwdriver, Phillips
- Socket Set, Metric
- Socket Set, SAE
- Wrench Set, Metric
- Wrench Set, SAE

IMPORTANT

Your Fence Spooler Kit is exclusively designed for your vehicle. Please read the installation instructions thoroughly before beginning. Installation is easier if the vehicle is clean and free of debris. For your safety, and to ensure a satisfactory installation, perform all installation steps correctly in the sequence shown.

ASSEMBLY TIME

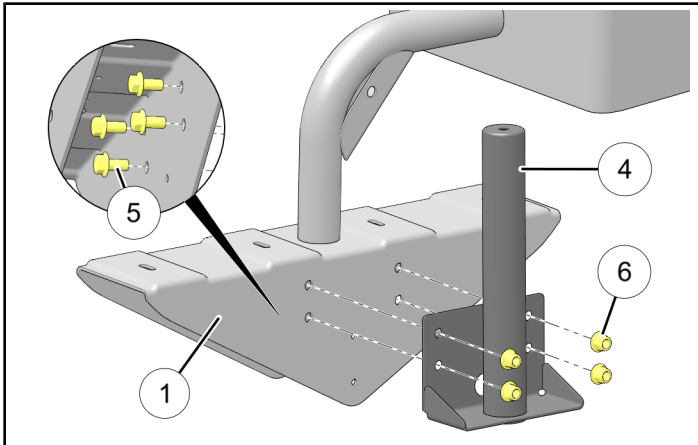
Approximately 20–25 minutes

INSTALLATION INSTRUCTIONS

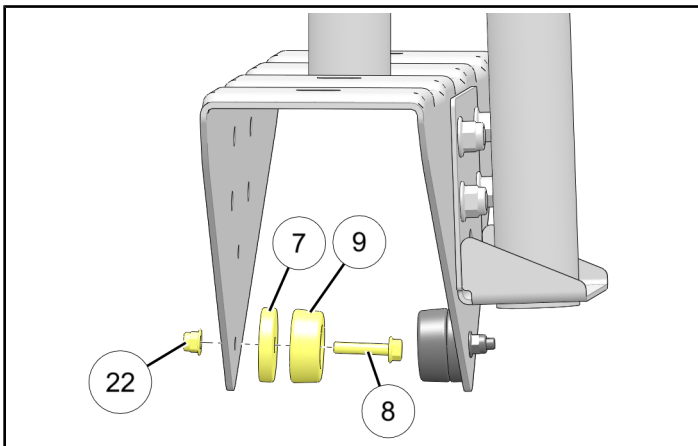
NOTE

Installation on LH side of vehicle shown throughout this procedure; RH side installation opposite.

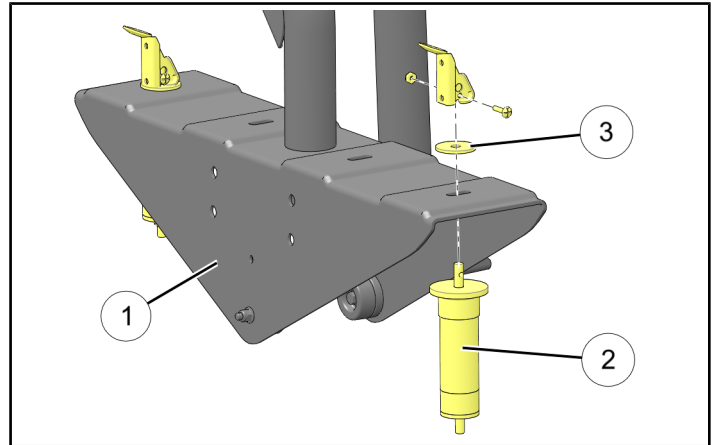
1. Shift vehicle transmission into "PARK". Turn ignition switch to "OFF" position and remove key from switch.
2. Install post pounder holder (4) to spooler frame (1) using four each screws (5) and nuts (6).



3. Install rubber bumper and plastic spacer (if required) to interior of spooler frame (1).
 - **MY18 and newer:** Install one rubber bumper (9) on each side using 25 mm screw (8). Plastic spacer (7) is not used.
 - **MY17 and older:** Install one rubber bumper (9) and one plastic spacer (7) on each side using 30 mm screw (8). Ensure spacer is against spooler frame so bumper will contact vehicle bed panel. Repeat for opposite side of spooler frame.

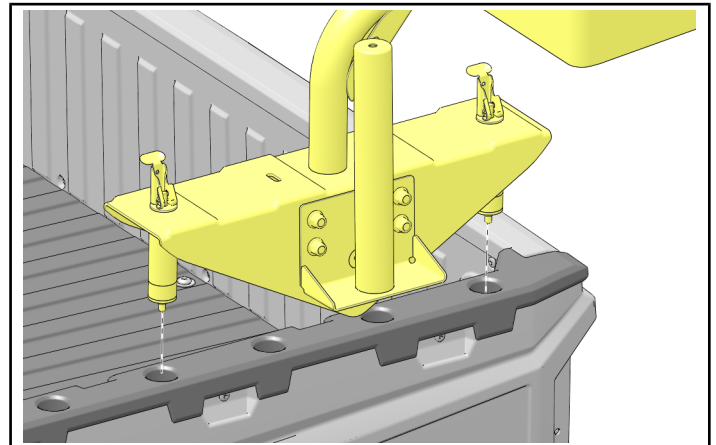


4. Install two LOCK & RIDE® expansion anchors (2) to spooler frame (1) OUTBOARD fastener holes. Follow anchor kit instructions with the following exception: Insert steel washer (3) between lever and spooler frame as shown.



5. Ensure both LOCK & RIDE® expansion anchors (2) are unlocked, then install spooler assembly into bed until anchors are fully seated. Depress levers to lock in place.

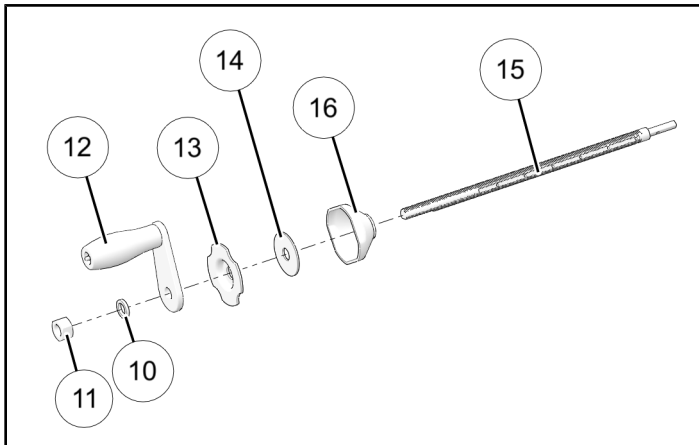
If installation is loose, remove spooler assembly from bed, tighten nut at base of affected anchor(s), and reinstall.



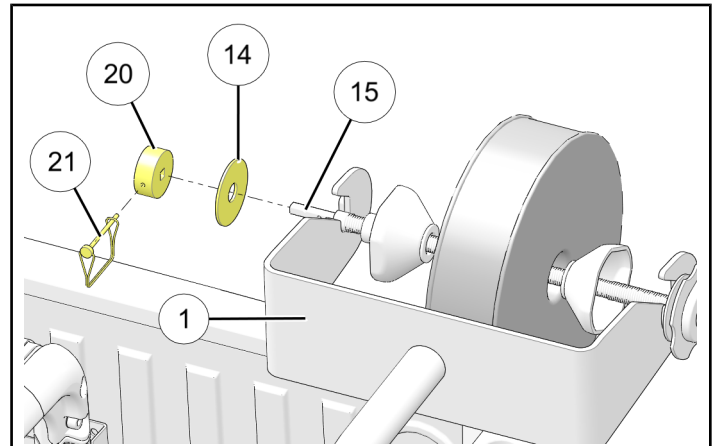
6. Install threaded cone ⑯, one washer ⑭, threaded plate ⑬, handle assembly ⑫, and washer ⑩ to threaded rod ⑮, then secure with nut ⑪.

Ensure the following:

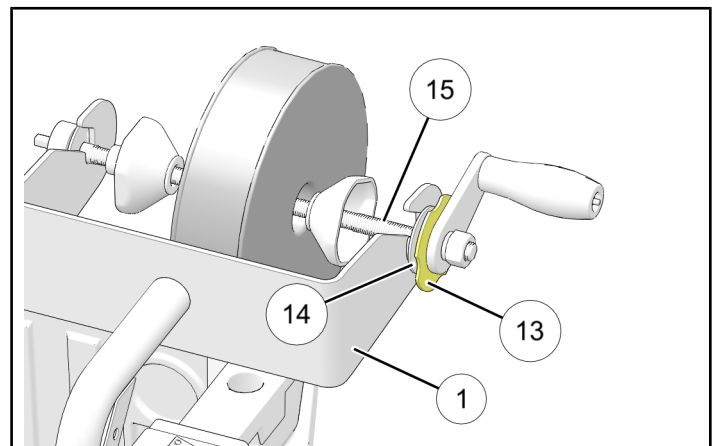
- Threaded cone ⑯ is used at this step, not slip cone ⑰
- Proper orientation of threaded cone ⑯: opening should be towards handle
- Proper orientation of threaded plate ⑬: four tangs should be towards handle (to permit finger tightening in Step 7c.)



- b. Slide remaining washer ⑭ and pin block ⑳ onto square end of threaded rod ⑮, then secure block to rod using wire lock pin ㉑.

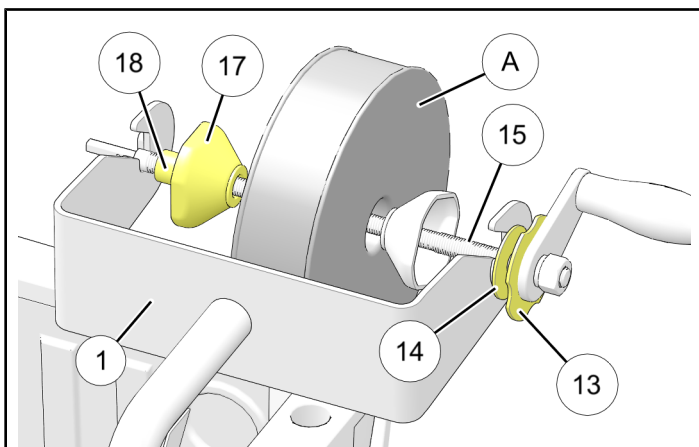


- c. On opposite side of threaded rod ⑮ spin threaded plate ⑬ BY HAND against washer ⑭ and spooler frame ① until tight.

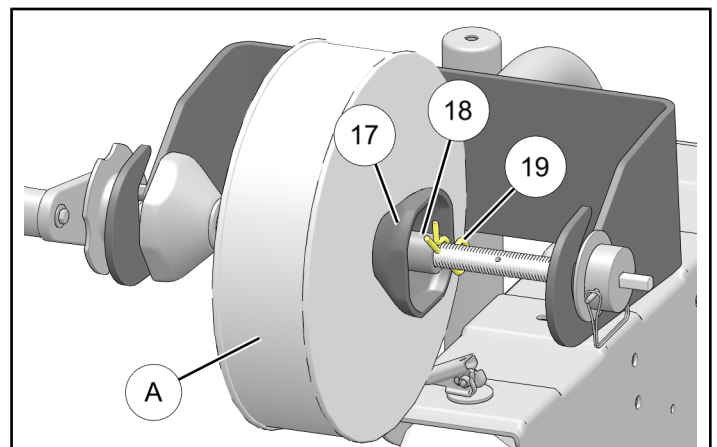


7. Load wire spool onto spooler assembly.

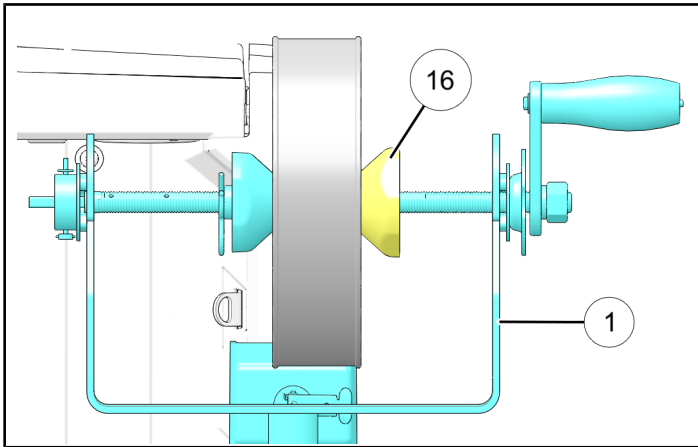
- a. Slide wire spool ① onto square end of threaded rod ⑮, followed by slip cone ⑰ and sleeve ⑱, then lay threaded rod assembly into spooler frame ① as shown. Ensure washer ⑭ and threaded plate ⑬ are on OUTSIDE of spooler frame.



- d. Center wire spool ① in spooler frame ①. Move slip cone ⑰ against wire spool, move sleeve ⑱ against slip cone, then secure position of slip cone and sleeve by inserting hairpin clip ⑲ into nearest hole.



- e. Spin threaded cone ⑩ BY HAND until it firmly contacts opposite side of wire spool.



8. To remove wire spool from spooler assembly, reverse procedure in Step 7.

IMPORTANT

Maximum Capacity: 45 lbs (20 Kg)

FEEDBACK FORM

A feedback form has been created for the installer to provide any comments, questions or concerns about the installation instructions. The form is viewable on mobile devices by scanning the QR code or by clicking [HERE](#) if viewing on a PC.

FEEDBACK FORM

