

SOUND BAR KIT



P/N 2881230, 2881465

APPLICATION

Verify accessory fitment at Polaris.com.

BEFORE YOU BEGIN

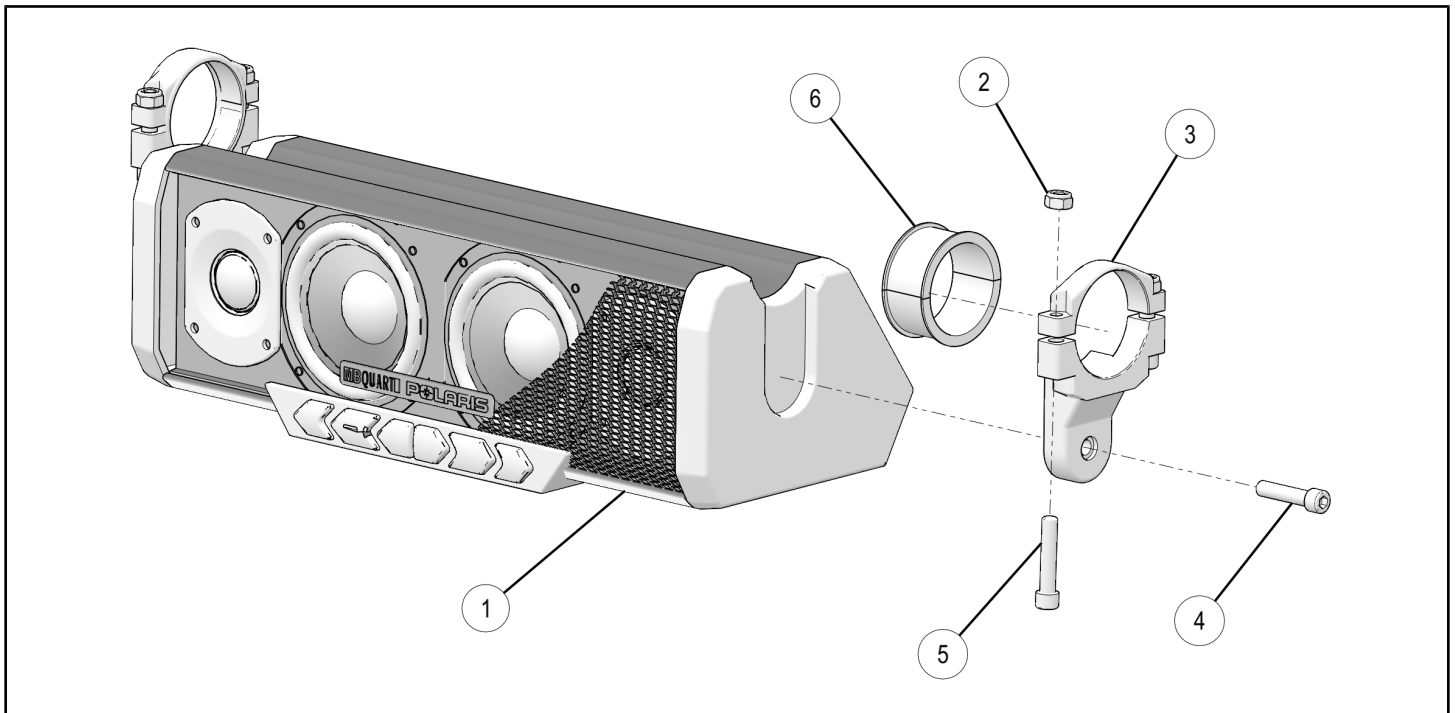
Read these instructions and check to be sure all parts and tools are accounted for. Please retain these installation instructions for future reference and parts ordering information.

KIT CONTENTS

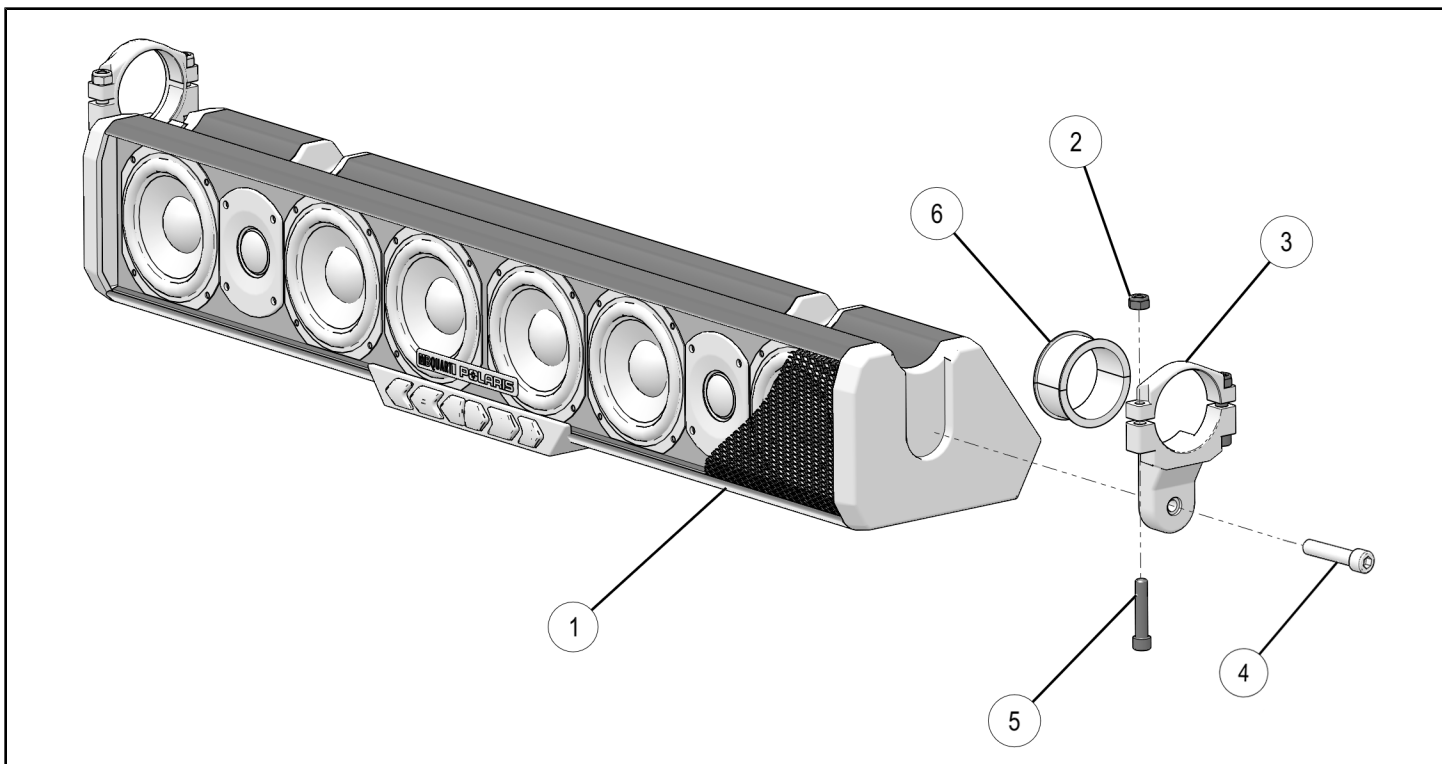
This kit contains parts for installation of the Sound Bar only. Prior installation of the following additional kits is also required (sold separately):

1. One of the following Battery Connection Kits:
 - PN 2879862, 2881551, or equivalent (2 passenger RZR)
 - PN 2880055, 2881646, or equivalent (4 passenger RZR)
2. One of the following audio/light harness kits:
 - Ultimate Harness Kit, PN 2881617
 - Sound Bar Harness Kit, PN 2882280
 - Other equivalent harness kit

Sound Bar 4 Kit (PN 2881230) includes:



Sound Bar 8 Kit (PN 2881465) includes:



Both Sound Bar Kits include the following:

REF	QTY	PART DESCRIPTION	PART NUMBER
1	1	Sound Bar	-
2*	4	Nut, Hex - M6 X 1.0	-
3*	2	Mount	-
4*	2	Screw, Socket Head - M6 X 1.0 X 18	-
5*	4	Screw, Socket Head - M6 X 1.0 X 32	-
6*	4	Bushing: RZR: 2 in. to 1.75 in., two each (shown); ACE/ATV: 2 in. to 1.50 in., two each (not shown)	-
	1	Instructions	9926614

Items marked (*) are included in Hardware Kit PN 2206165.

TOOLS REQUIRED

- Safety Glasses
- Hex Key Set, Metric

IMPORTANT

Your SOUND BAR KIT is exclusively designed for your vehicle. Please read the installation instructions thoroughly before beginning. Installation is easier if the vehicle is clean and free of debris. For your safety, and to ensure a satisfactory installation, perform all installation steps correctly in the sequence shown.

ASSEMBLY TIME

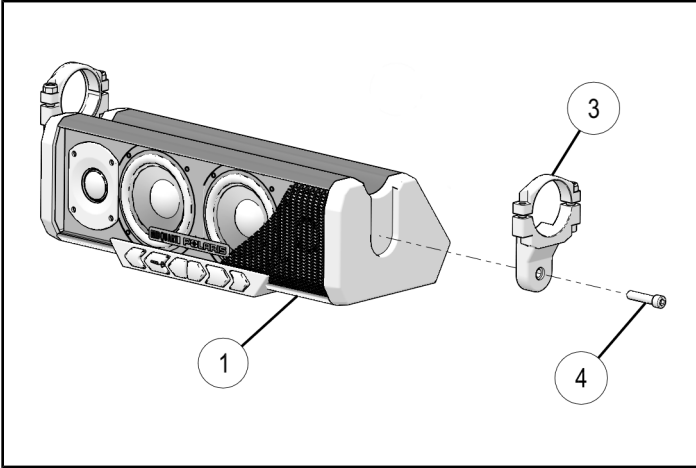
Approximately 20–25 minutes

INSTALLATION INSTRUCTIONS

NOTE

Note: Sound Bar 4 shown; Sound Bar 8 similar.

1. Shift vehicle transmission into PARK". Turn key to "OFF" position and remove from vehicle.
2. Install each mount ③ to sound bar ① using screw ④ as shown. Do not overtighten screws.



3. Insert two bushings ⑥ to interior of each mount ③, then install mounts to ROPS cross-member using two each screws ⑤ and nuts ② as shown. Do not overtighten screws.

NOTE

Two bushing sizes provided: thinner bushings for 1.75 inch ROPS tubing; thicker bushings for 1.5 inch ROPS tubing.

