

DOOR PANEL SPEAKER KIT



P/N 2881989

APPLICATION

Verify accessory fitment at Polaris.com.

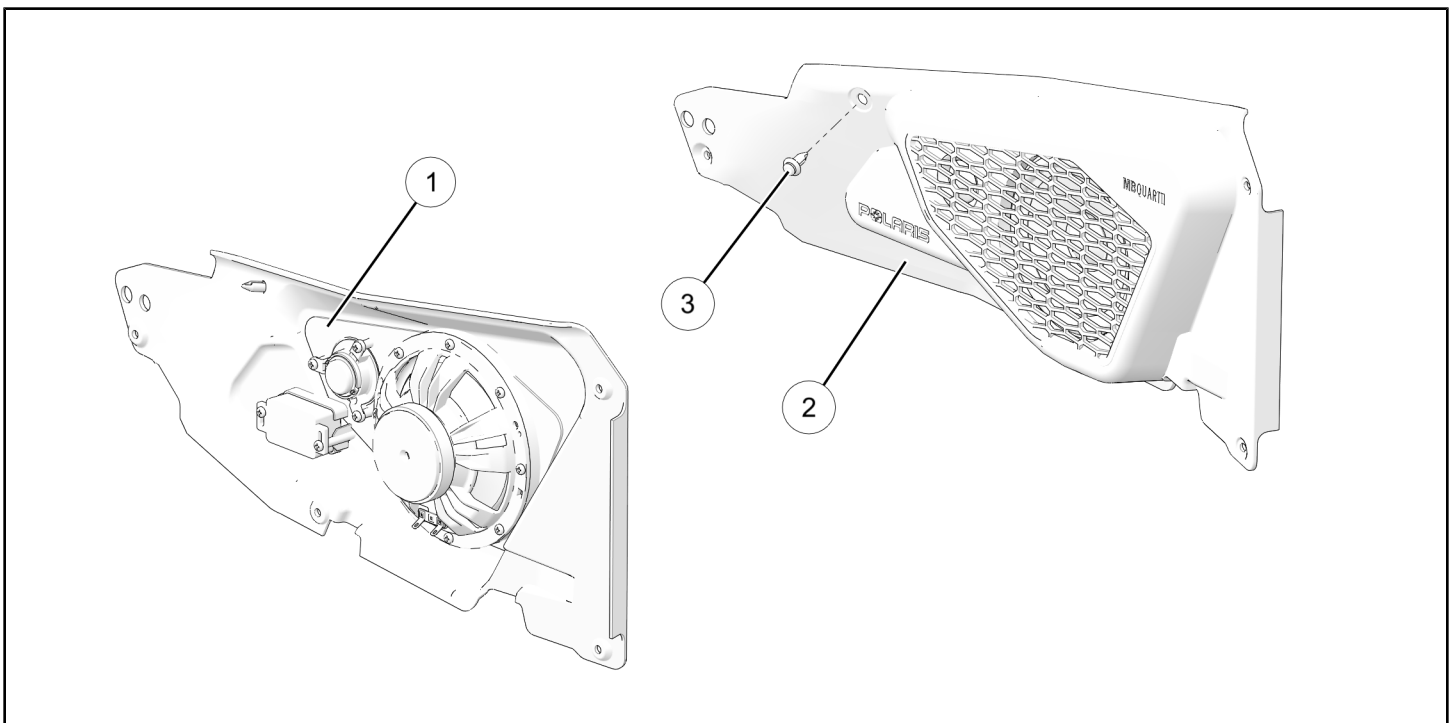
BEFORE YOU BEGIN

Read these instructions and check to be sure all parts and tools are accounted for. Please retain these installation instructions for future reference and parts ordering information.

KIT CONTENTS

This kit contains parts for installation of the Door Panel Speaker Kit only. Prior installation of corresponding Amplifier Kit, PN 2882122, is also required (sold separately).

This Kit includes:



REF	QTY	PART DESCRIPTION	PART NUMBER
1*	1	Speaker Assembly, LH	-
2*	1	Speaker Assembly, RH	-
3	2	Rivet, Push Pin - 0.354 X 0.9	-
4	1	Harness, Door Speaker, LH (not shown; with white wires)	-
5	1	Harness, Door Speaker, RH (not shown; with grey wires)	-
6	16	Cable Tie (not shown)	-
	1	Instructions	9927089

Items marked (*) contain one each of the following: Speaker 6.5 PN 4016257, Tweeter PN 4016381, and Crossover PN 4016382.

TOOLS REQUIRED

- Safety Glasses
- Pliers, Push Pin Rivet

- Pliers, Side Cutting
- Screwdriver Set, Torx®

IMPORTANT

Your Door Panel Speaker Kit is exclusively designed for your vehicle. Please read the installation instructions thoroughly before beginning. Installation is easier if the vehicle is clean and free of debris. For your safety, and to ensure a satisfactory installation, perform all installation steps correctly in the sequence shown.

ASSEMBLY TIME

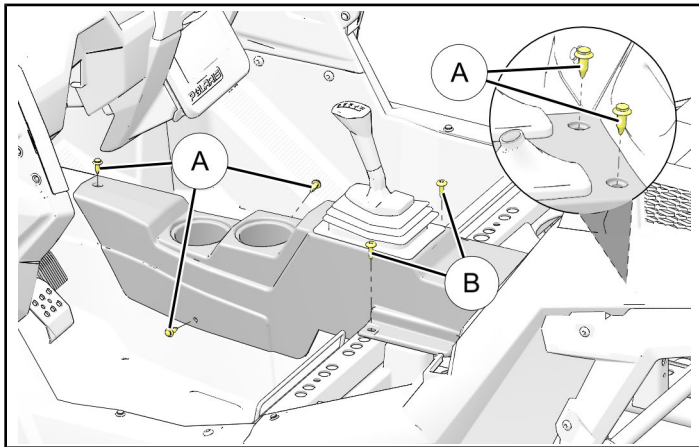
Approximately 45 minutes

INSTALLATION INSTRUCTIONS

1. Shift vehicle transmission into “PARK”. Turn key to “OFF” position and remove from vehicle.
2. Gain Access.
 - a. Remove both front seats.
 - b. Two Passenger Vehicles: Remove engine access panel (located between seats).
 - c. Remove center floor console.

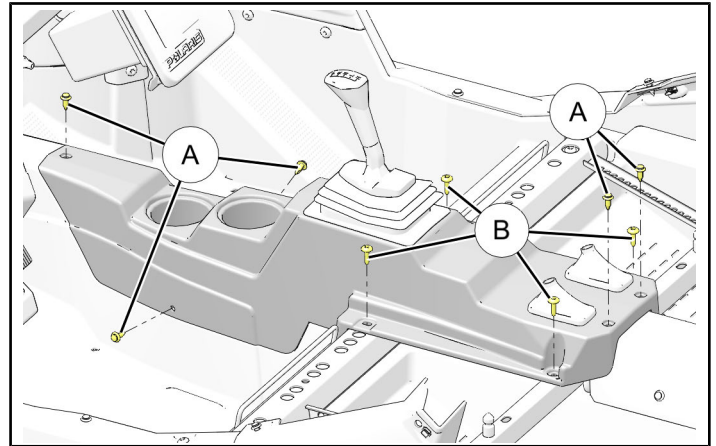
TWO PASSENGER VEHICLES

Remove five plastic push pin rivets (A) and two screws (B) as shown. Remove center console, pushing boots for gear shift and seat belt through console openings. Retain rivets and screws.



FOUR PASSENGER VEHICLES

Remove five plastic push pin rivets (A) and four screws (B) from front floor console as shown. Remove console, pushing boots for gear shift and seat belt through console openings. Retain rivets and screws.



3. Install speaker assemblies.

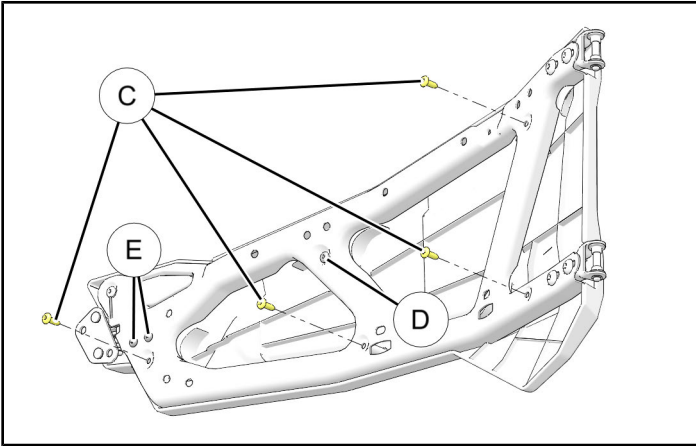
NOTE

RH side shown; LH side similar.

- a. Remove four screws ③ from inner door frame as shown. Retain screws.

NOTE

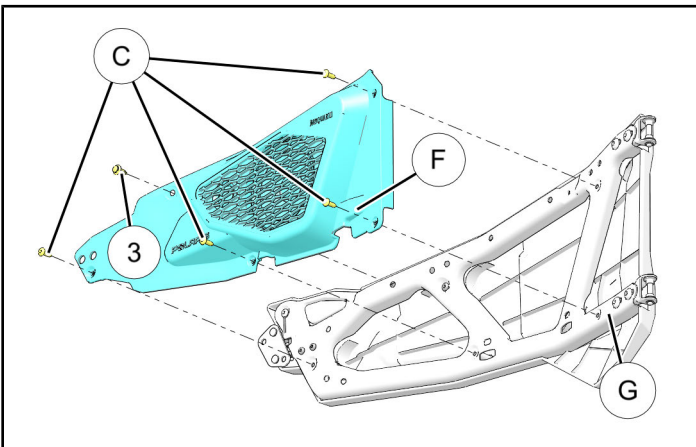
Do not remove screws ④ or ⑤; speaker assembly ①② is installed on top of screw ④, and cutouts are provided for screws ⑤.



- b. Install speaker assembly ①② to inner door frame using four retained screws ③ and one push pin rivet ③ as shown. Route speaker wires through channel ⑥ in speaker housing, through interior of door frame U-channel ⑥, then out below lower hinge.

IMPORTANT

Ensure wire routing prevents pinching or contact with sharp edges.



- c. Repeat Steps a. and b. for opposite speaker.

4. Route speaker harnesses to center console.

TWO PASSENGER VEHICLES

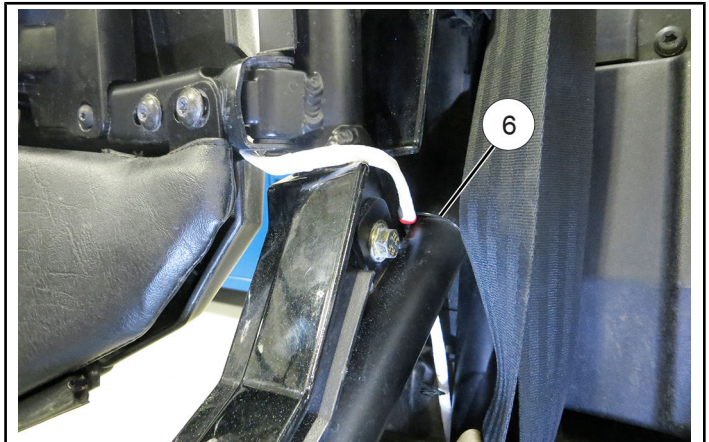
NOTE

RH side of RZR 900 shown; other vehicles similar.

- a. Route speaker wires on outside of vehicle frame (between frame and body panel), then downward into wheel well. Ensure adequate wire slack (door fully open), then secure wires to frame using one cable tie ⑥ as shown.

NOTE

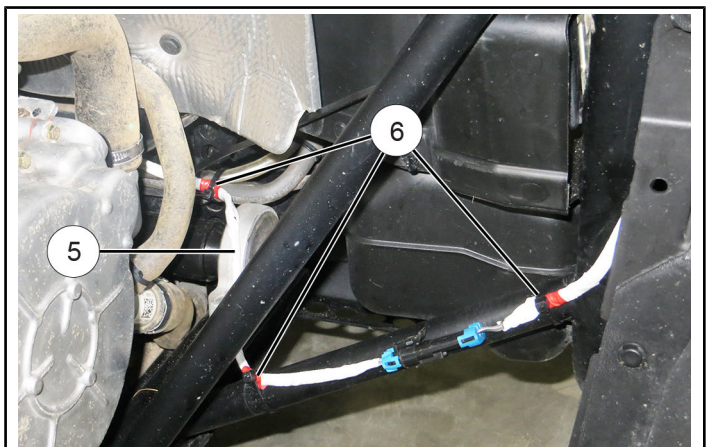
RH side shown; LH side similar.



- b. Connect speaker wires to RH speaker harness ⑤, then secure to vehicle frame using one cable tie ⑥ on each side of connector as shown.

NOTE

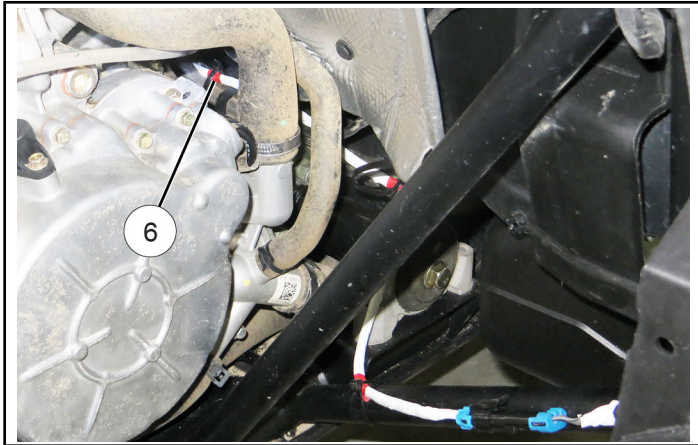
RH speaker harness ⑤ and LH speaker harness ④ are identical except for wire color: RH harness has grey wires, LH harness has white wires.



- c. Route RH speaker harness ⑤ forward above engine mount, then inboard towards vehicle centerline. Secure harness to existing vehicle routing clamp using one cable tie ⑥ as shown in previous step.
- d. Continue routing RH speaker harness ⑤ inboard along existing vehicle routing, then forward into center console. Secure harness to existing vehicle routing clamp using one cable tie ⑥ as shown.

- b. Connect speaker wires to RH speaker harness ⑤, then secure to front side of rear support structure using one cable tie ⑥ on each side of connector.

NOTE
RH speaker harness ⑤ and LH speaker harness ④ are identical except for wire color: RH harness has grey wires, LH harness has white wires.



- c. Route RH speaker harness ⑤ inboard into center console. Secure as required using cable ties ⑥ to prevent contact with sharp edges or moving parts.
- d. Repeat Steps a. through c. for LH speaker assembly ① and LH speaker harness ④.

- e. Repeat Steps a. through d. for LH speaker assembly ① and LH speaker harness ④.

- 5. Route both speaker harnesses ④ and ⑤ forward through center console, then up into upper dash compartment. Connect harnesses to amplifier (sold separately).
- 6. Secure speaker harnesses ④ and ⑤ in center console using cable ties ⑥ as required to prevent contact with hot components, sharp edges, or moving parts. Coil and secure excess harness length in upper dash compartment.
- 7. Restore access.

FOUR PASSENGER VEHICLES

- a. Route speaker wires on outside of vehicle frame (between frame and body panel), then downward to front seat support structure. Ensure adequate wire slack (door fully open), then secure wires to frame using one cable tie ⑥ as shown.

NOTE
RH side shown; LH side similar.

