

## 2879316 INSTALLATION AND USE OF WIRELESS WINCH REMOTE

1. Make sure vehicle is in PARK, turned off and key is removed from ignition.
2. Using two screws (PN 7512026), secure the wireless remote receiver box to the plastic wall underneath the hood and to the right of the wire routing grommet as shown in Figure 1. No pre-drilling is necessary.

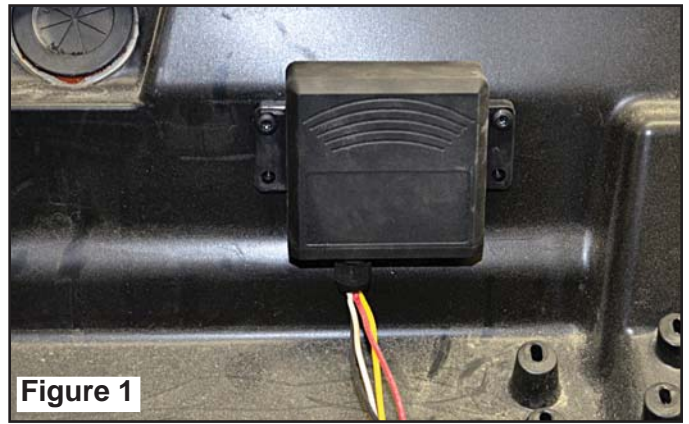


Figure 1

3. Connect the three wires with ring terminals to the corresponding posts on the bus bar. The Black wire should be connected to center post (ground), red wire to post on driver side (keyed power). Connect white connectors from remote receiver box to corresponding connectors from other wire harnesses. See wiring diagram below for the order in which parts should be connected. Figure 3.



Figure 2

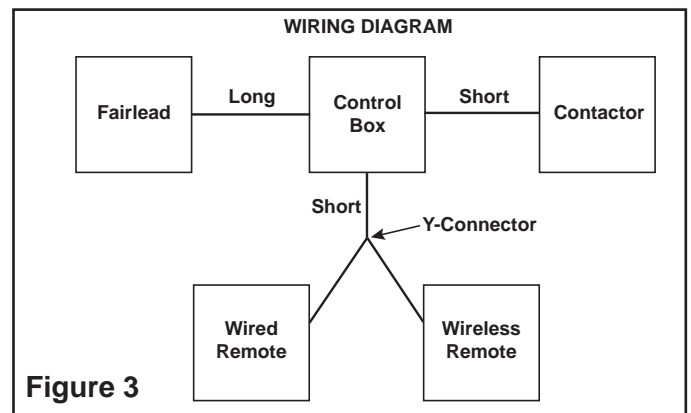


Figure 3

4. Using two more screws, secure the remote holder to the vehicle on a vertical surface. Recommended placement is inside the glovebox to prevent loss of remote in extreme driving conditions. Figure 4
5. To use the remote, first remove the remote from the holder. Press and hold the "on" button located at the bottom of the remote until the LED light at the top of the remote turns on. Use the wireless remote as you would use the wired remote, making sure not to hold the button after the slack in the cable is all gone. Holding the button for too long can damage the winch and the fairlead and lead to premature cable or rope breakage.

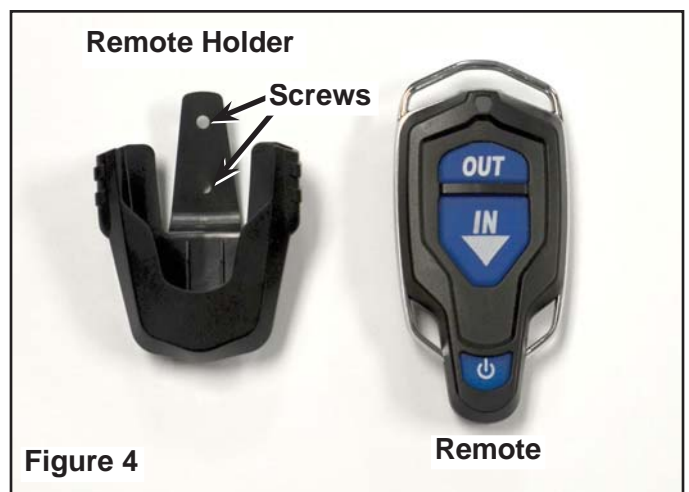


Figure 4

Remote