

# BOX RAILS KIT



**P/N 2882226**

## APPLICATION

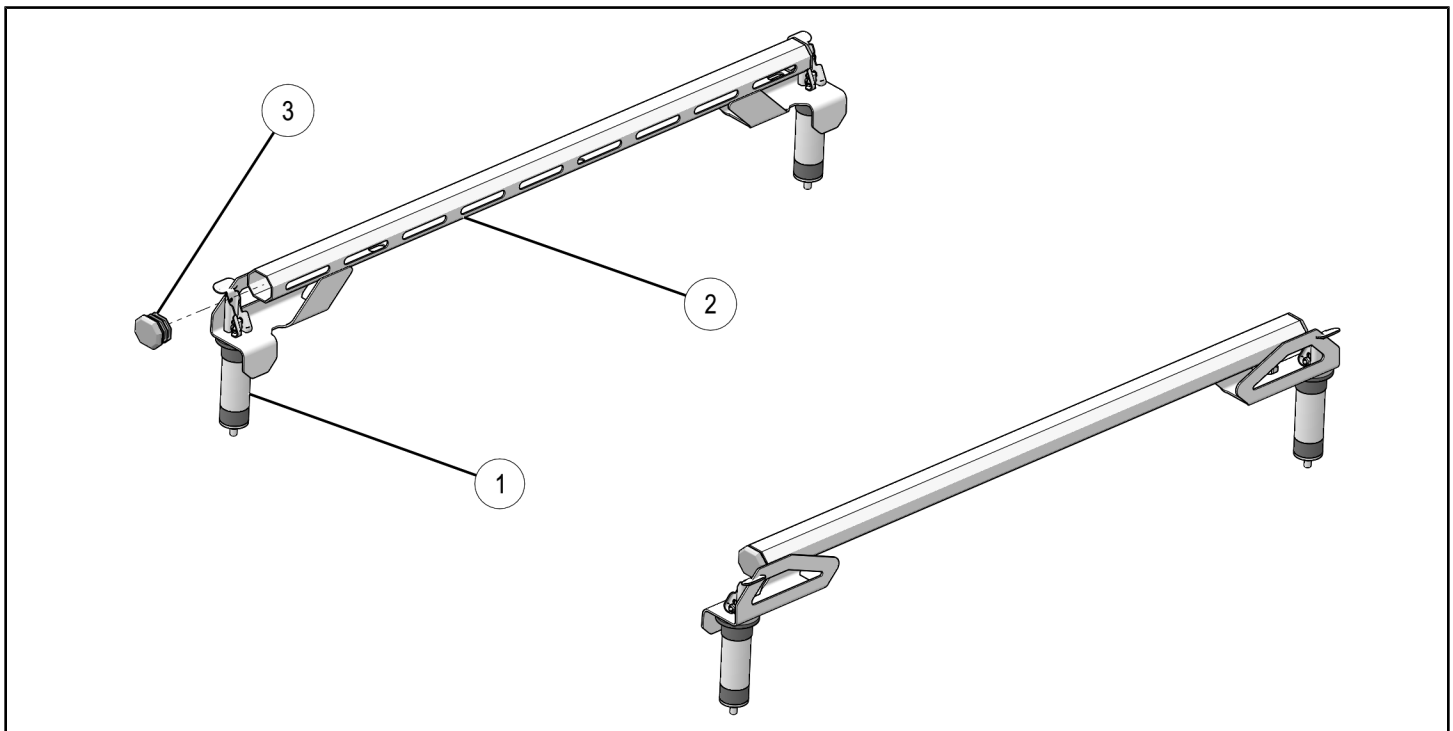
Polaris Brutus

## BEFORE YOU BEGIN

Read these instructions and check to be sure all parts and tools are accounted for. Please retain these installation instructions for future reference and parts ordering information.

## KIT CONTENTS

This Kit includes:



REF	QTY	PART DESCRIPTION	PART NUMBER
1	4	Expansion Anchor Kit	2875250
2	2	Box Rail	-
3	4	Cap, Box Rail	-
	1	Instructions	9927408

## TOOLS REQUIRED

- Safety Glasses
- Metric Wrench Set
- Metric Socket Set

## IMPORTANT

Your BOX RAILS KIT is exclusively designed for your vehicle. Please read the installation instructions thoroughly before beginning. Installation is easier if the vehicle is clean and free of debris. For your safety, and to ensure a satisfactory installation, perform all installation steps correctly in the sequence shown.

## ASSEMBLY TIME

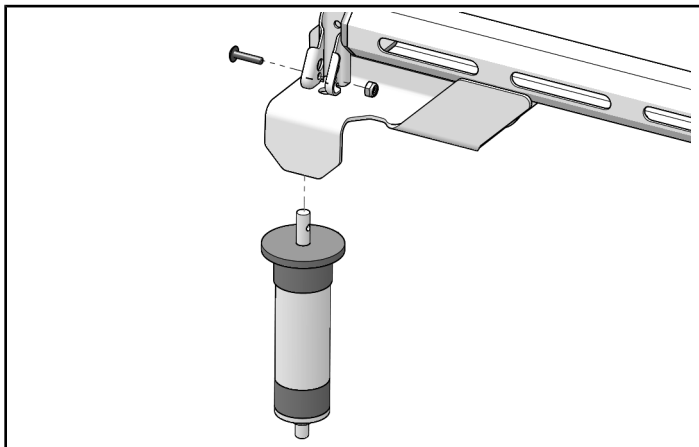
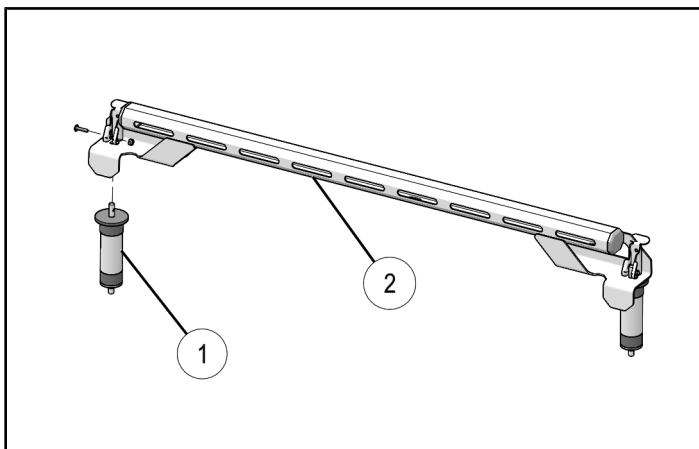
Approximately 15 minutes

## INSTALLATION INSTRUCTIONS

1. Place vehicle in "PARK". Turn key to "OFF" position and remove from vehicle.
2. Assemble LOCK & RIDE® expansion anchor ① to each end of box rail ② as shown.

### NOTE

Refer to instructions included with LOCK & RIDE® expansion anchors.



3. Insert box rails ② into vehicle so that expansion anchors ① fully recede into vehicle receptacles as shown, then depress upper cams to lock in place. If installation is loose, remove box rails from vehicle, tighten nuts at base of expansion anchors, and reinstall.

