

REAR A-ARM GUARD KIT



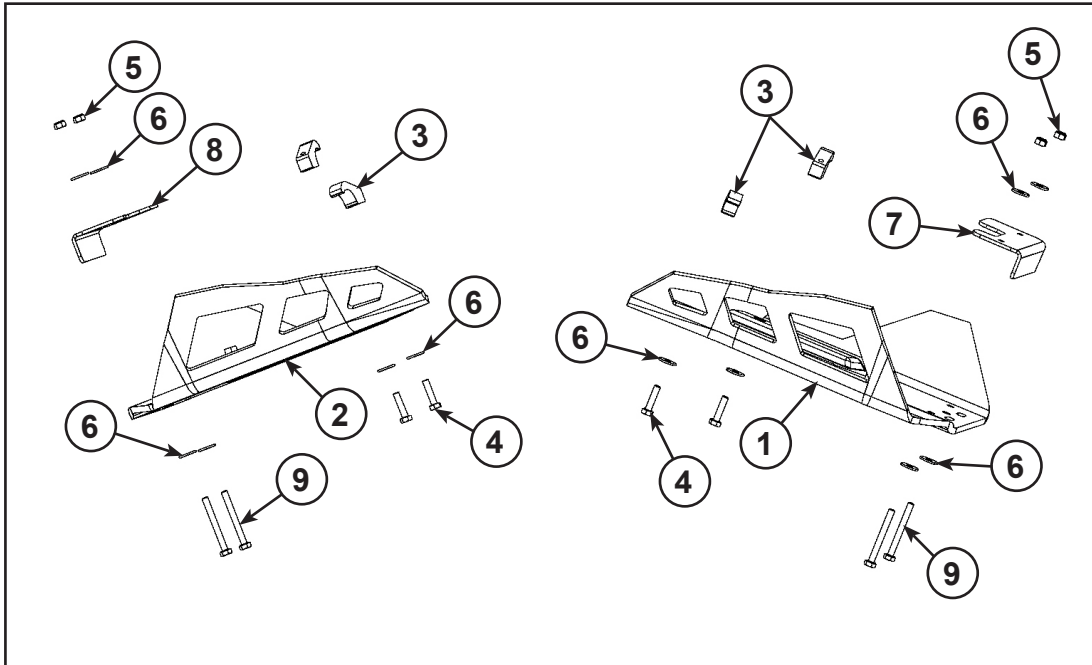
P/N 2880678

APPLICATION

SPORTSMAN XP

BEFORE YOU BEGIN

Read these instructions thoroughly and make sure all parts and tools are accounted for. Please retain these installation instructions for future reference and parts ordering information.



KIT CONTENTS

Ref	Description	Rear A-Arm Guard Kit (2880678)	Hardware Kit (2205713)
1	Rear A-Arm Guard, RH	1x	-
2	Rear A-Arm Guard, LH	1x	-
3	Aluminum Clamp	4x	4x
4	Hexagonal Bolt M6 - 1.0 X 25	4x	4x
5	Hexagonal Nylon Nut M6	4x	4x
6	Flat Fender Washer M6	12x	12x
7	Clamp Bracket, RH	1x	1x
8	Clamp Bracket, LH	1x	1x
9	Hexagonal Bolt M6 - 1.0 X 55	4x	4x
	Instructions (PN 9925579)	1x	

TOOLS NEEDED

Safety Goggles

Metric Wrench Set

Metric Socket Set

Torque Wrench

APPROXIMATE ASSEMBLY TIME

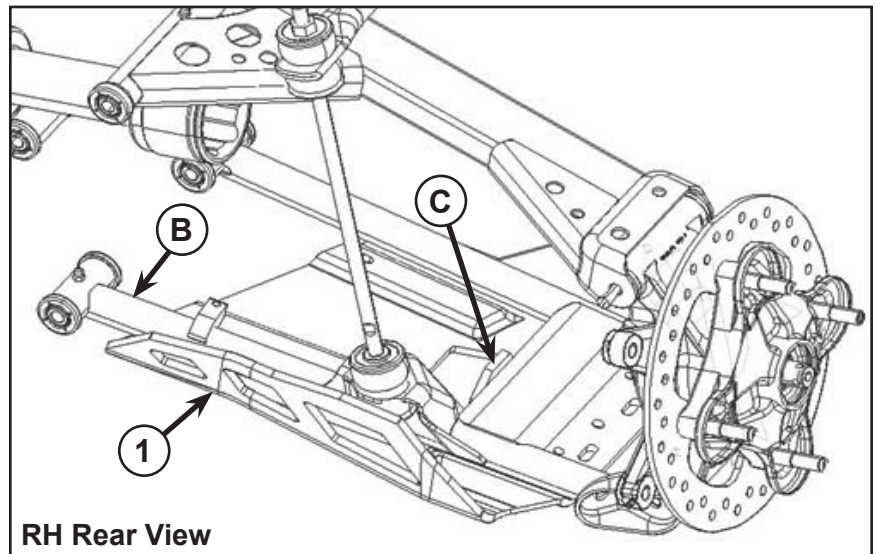
10 mins

IMPORTANT

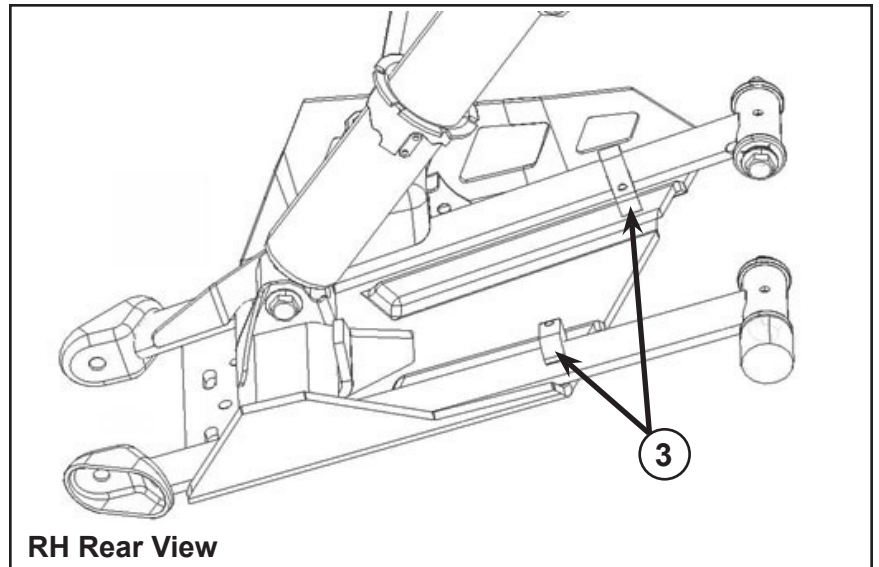
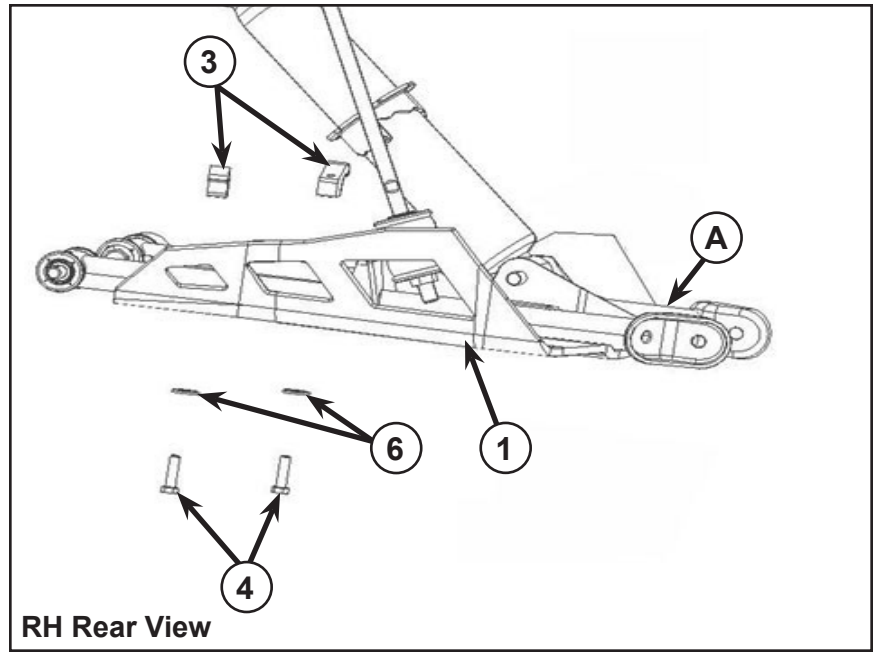
Your Polaris REAR A-ARM GUARD KIT is exclusively designed for your vehicle. Please read the installation instructions thoroughly before beginning. Installation is easier if the vehicle is clean and free of debris. For your safety, and to ensure a satisfactory installation, perform all installation steps correctly in the sequence shown.

INSTALLATION INSTRUCTIONS

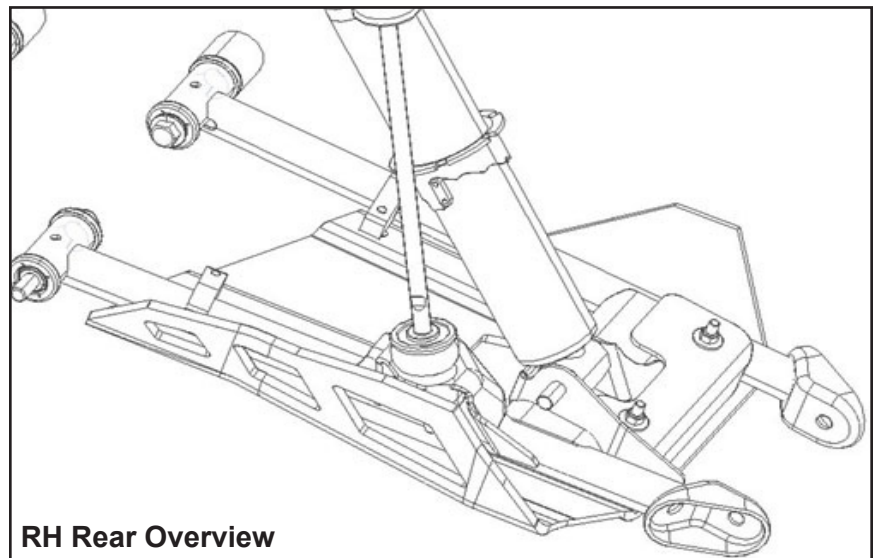
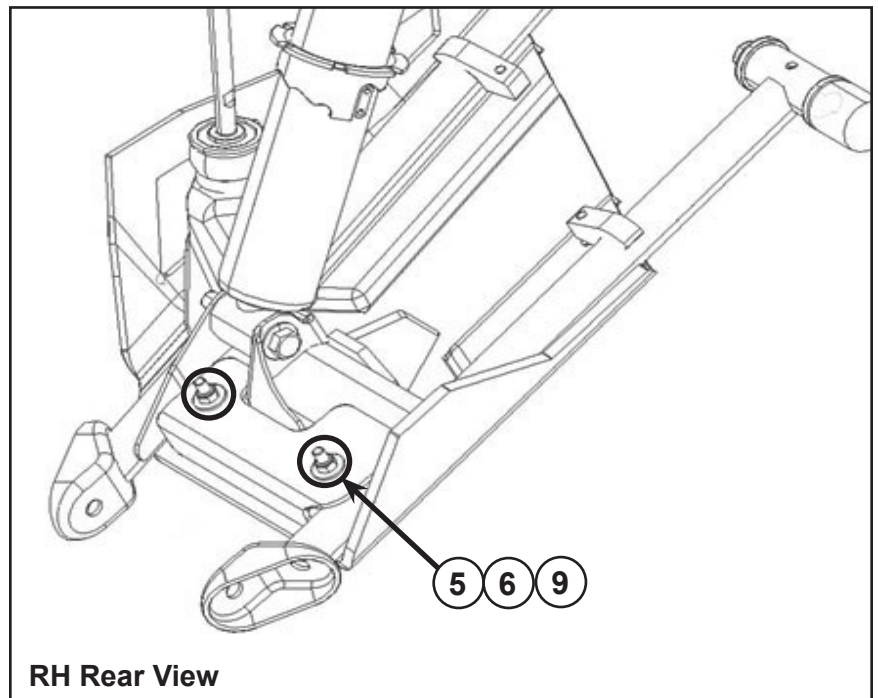
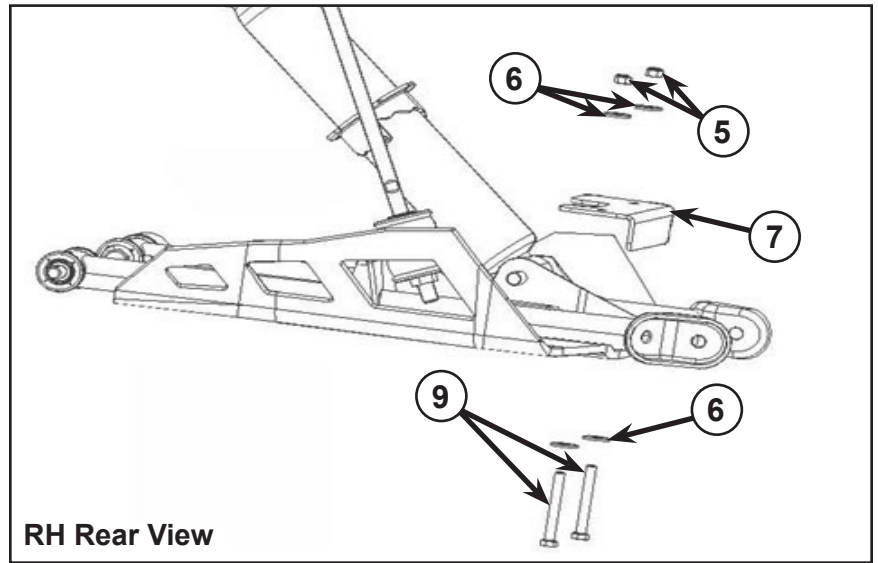
1. Place the vehicle in “**PARK**”. Turn the key to “**OFF**” position and remove from the vehicle.
2. Place the RH A-arm guard (1) under the A-arm (B) as shown in figure. Ensure the alignment tab (C) is well rested against the lower A-arm cross member.



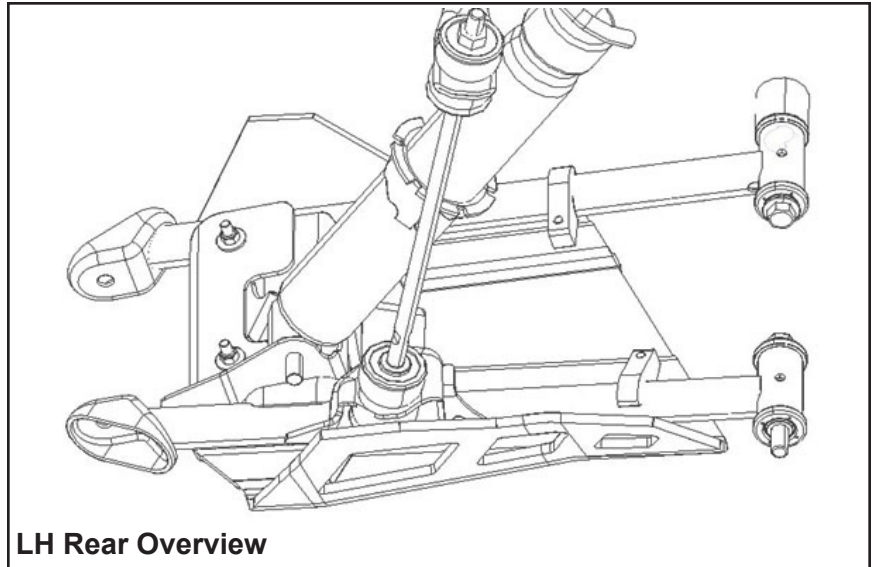
3. Attach the guard (1) to the A-arm with two clamps (3) on top and secure with two bolts (4) and two washers (6) as shown in figures. Fasteners should be hand-tighten at this time.



4. Position the clamp bracket (7) to rest between the shock mount bracket and place on A-arm cross-member. Secure the clamp bracket (7) using two bolts (9), four washers (6) and two nylon nuts (5). Tighten the bolts until brackets holds the guard securely in place.



5. Repeat Steps 2-4 to install the left side A-Arm guard.



6. Tighten all the hardwares to ensure the guards are securely fastened to the A-arms.

NOTE: Torque all the M6 bolts to 8 ft. lbs (10.8 Nm).