

# FRONT BUMPER KIT

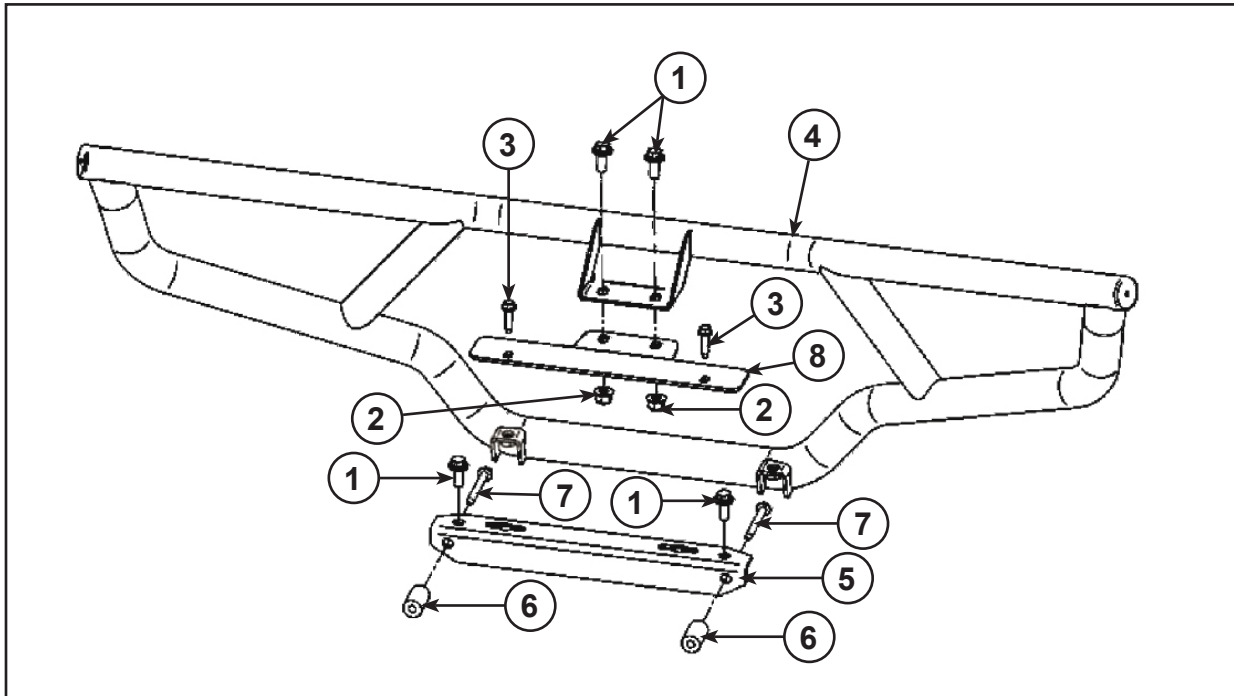
P/N 2879714



## Application

ALL 2011 AND MORE RECENT SPORTSMAN  
400/500/800/500 TOURING/BIG BOSS 6X6 MODELS

Before you begin, read these instructions twice and check to be sure all parts and tools are accounted for. The following instructions contain details required to install the contents of this kit.



## Kit Contents:

<u>Ref</u>	<u>Qty</u>	<u>Part Description</u>	<u>Part Number</u>
1*	4	M8-1.25 x 20 mm hex. Shoulder Bolt	-
2*	2	M8-1.25 Self-Locking Shoulder Nut	-
3*	2	1/4" -20 x 1" Self-Tapping Bolt	-
4	1	Welded Bumper	-
5	1	Lower Vehicle Mount	-
6*	2	Spacer Bushing	-
7*	2	1/4" - 20 x 2 1/4" Self-Tapping Bolt	-
8	1	Upper Vehicle Mount	-
	1	Instructions	9925001

Items marked (\*) are included in Hardware Kit PN 2205225.

## Tools Required:

Standard Wrench or Socket Set  
Torx T27 Socket

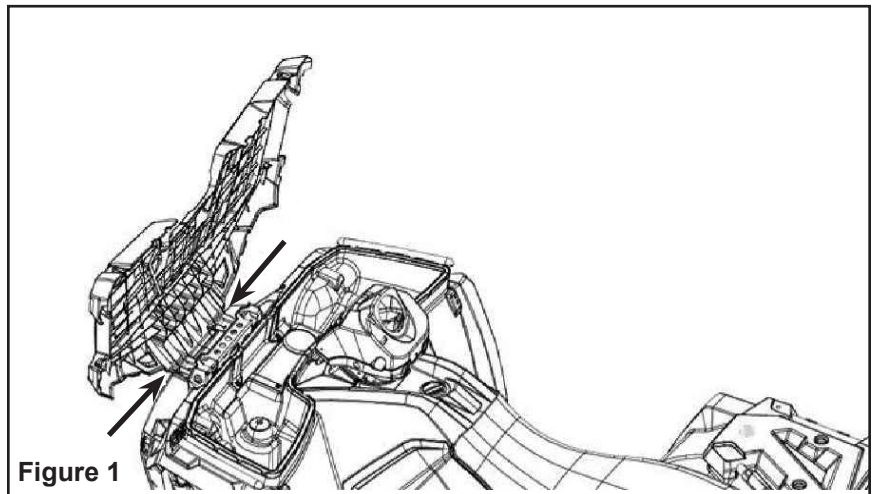
Metric Wrench or Socket Set

**APPROXIMATE ASSEMBLY TIME:** 15 minutes

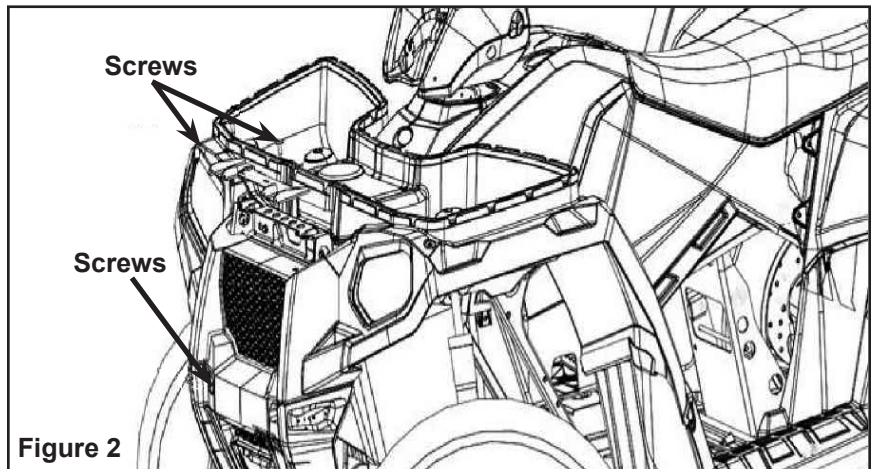
**IMPORTANT:** Your Polaris accessory is exclusively designed for your vehicle. Before beginning, please read these instructions and make sure that all parts and tools are at your disposal. Keep these instructions for future reference or for any information requests. To facilitate installation, make sure that your vehicle is clean and free of debris.

## INSTALLATION INSTRUCTIONS:

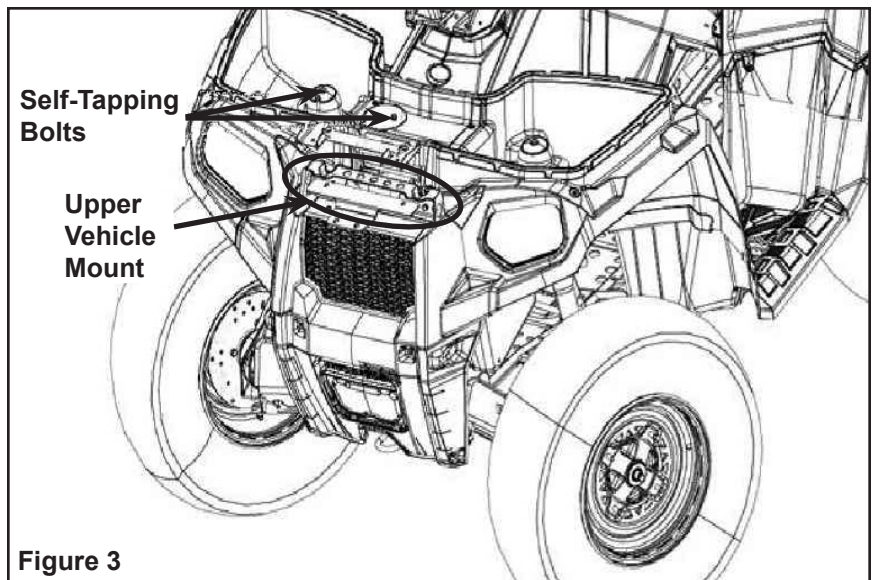
1. Remove the original luggage rack by removing the two pins ; keep them.  
**For the 2012 and more recent models:** Remove and keep the two machine screws holding the retaining cables to the cover of the original front luggage rack. Figure 1.



2. Remove and discard the two original machine screws holding the hinge plate. Figure 2.
3. Remove and discard the two machine screws holding the front plastic cover.



4. The upper part of the bumper (Item 8) is installed between the vehicle and the hinge plate removed in Step 2. Make the assembly using two 1/4" - 20 x 1" self-tapping bolts (screw the first threads only). Figure 3.



5. Reinstall the rack in place using the pins removed in Step 1 (and the screws of retaining cables if your vehicle is a 2012 or more recent models). Figure 4.

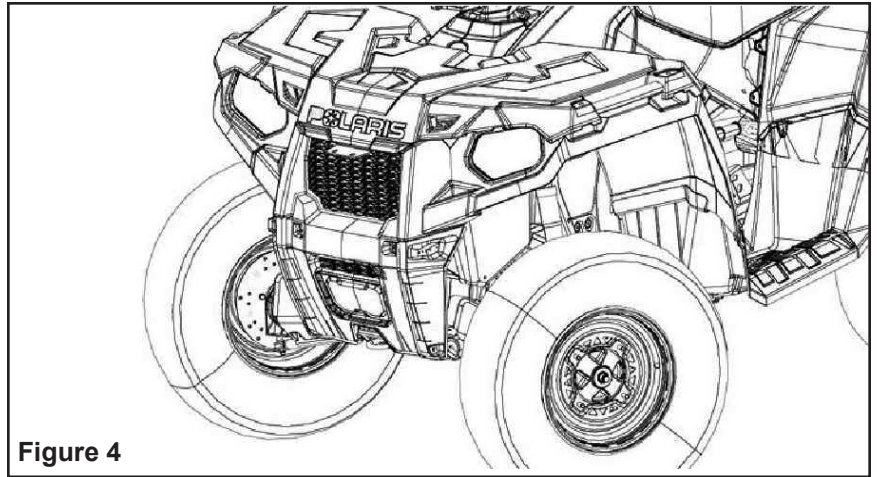


Figure 4

6. Secure the lower mount of the front bumper to the vehicle using two 1/4" - 20 x 2 1/4" self-tapping bolts and two spacer bushings. Figure 5.

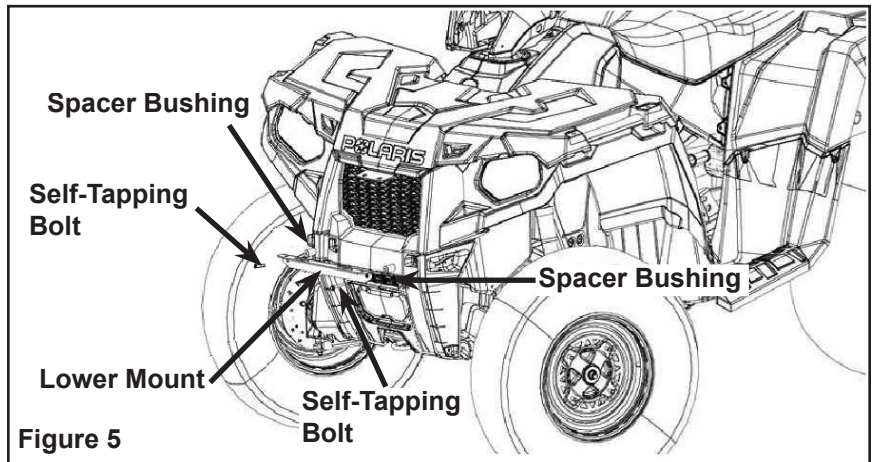


Figure 5

7. Install the bumper on the ATV using the four M8-1.25 x 20 mm hex shoulder bolts and the two M8-1.25 shoulder nuts (screw the first threads only). Figure 6.
8. Tighten all bolts and nuts.

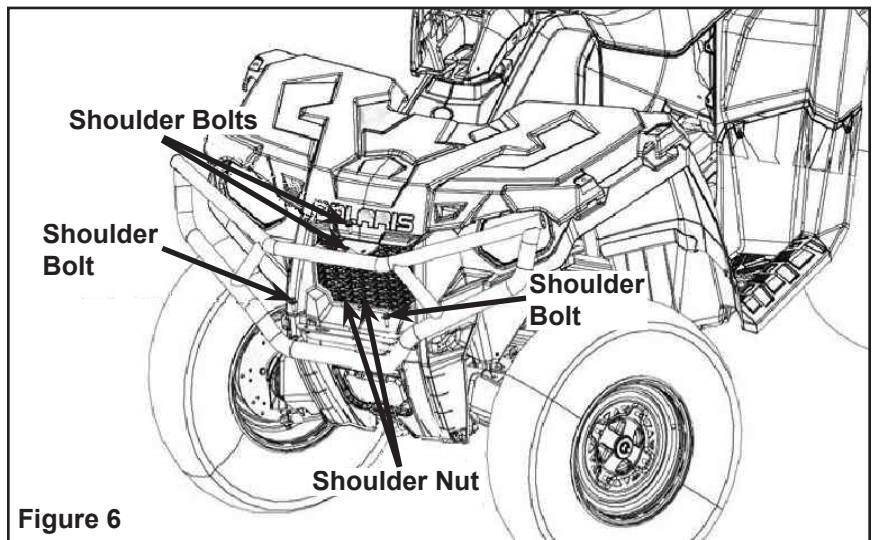


Figure 6