

# HEATER BLOCK KIT



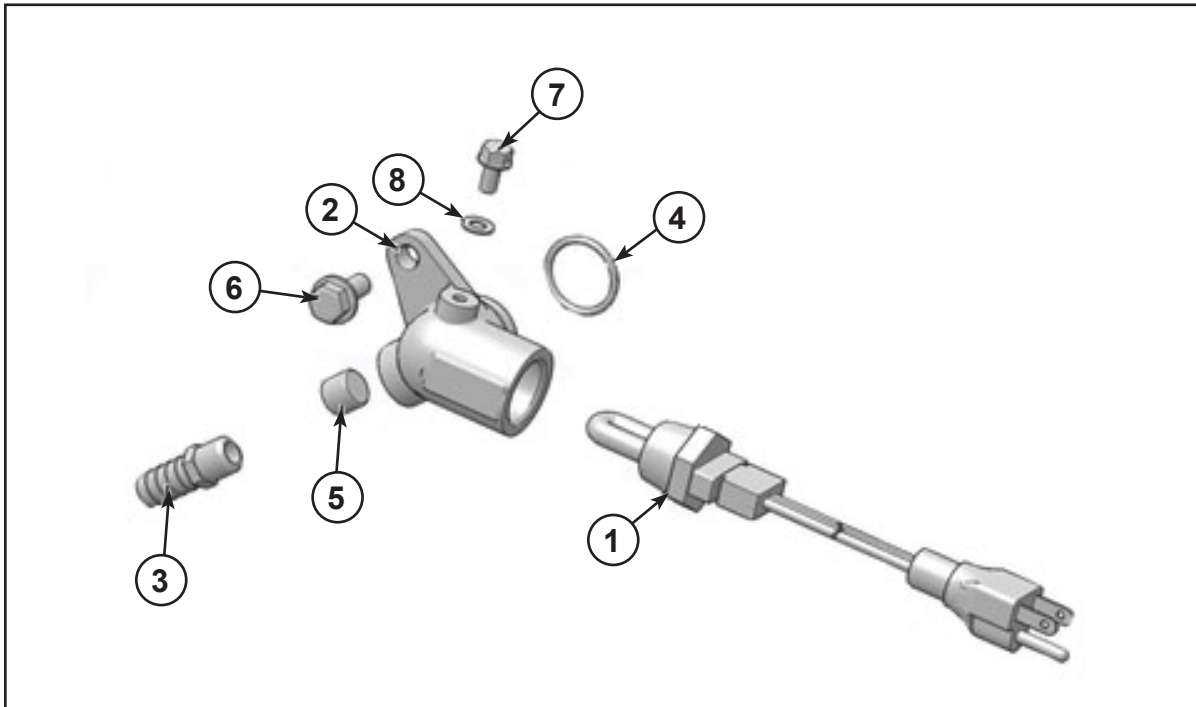
P/N 2880826

## APPLICATION

MY15 RANGER DIESEL

## BEFORE YOU BEGIN

Read these instructions thoroughly and make sure all parts and tools are accounted for. Please retain these installation instructions for future reference and parts ordering information.



## KIT CONTENTS

Ref	Qty	Part Description	Part Number
1	1	Diesel Heater Element-Block	3070480
2	1	Diesel Heater Adapter-Block	3070481
3	1	Fitting-1/2" Hose x 1/4" NPT	5139683
4	1	O-Ring, Fitting	5415204
5	1	Fitting-1/4" NPT, Plug	5451823
6	1	Bolt-M8X1.25X20, HX HD FLG	7518702
7	1	Screw-HXFL, M6X1.0X13, BLEED	7520128
8	1	Flat Washer, 6.15	7555998
	1	Instructions	9925752

## TOOLS NEEDED

Safety Glasses                      Standard & Metric Wrench Set

## APPROXIMATE ASSEMBLY TIME

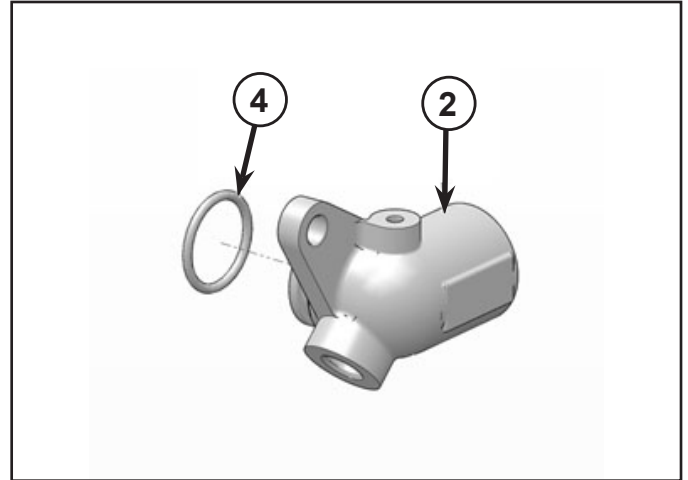
15 min

## IMPORTANT

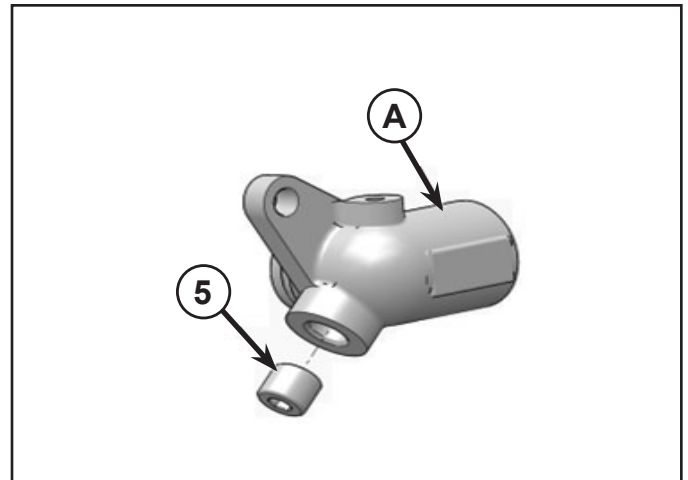
Your Polaris HEATER BLOCK KIT is exclusively designed for your vehicle. Please read the installation instructions thoroughly before beginning. Installation is easier if the vehicle is clean and free of debris. For your safety, and to ensure a satisfactory installation, perform all installation steps correctly in the sequence shown.

## BLOCK ASSEMBLY INSTRUCTIONS

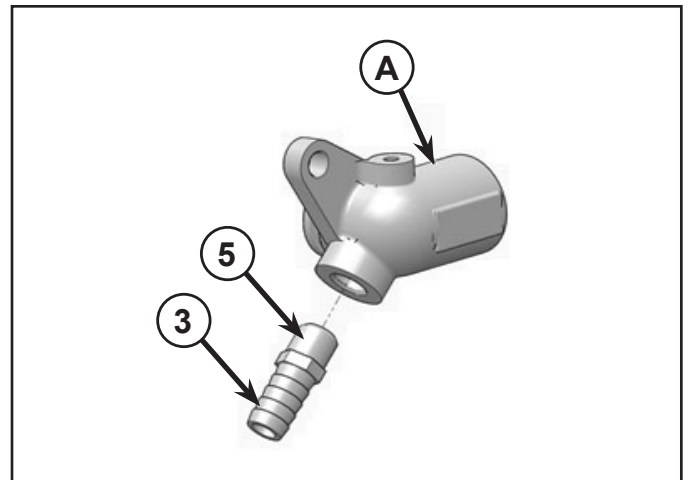
1. Install O-ring (4) on to the heater block adaptor (2).



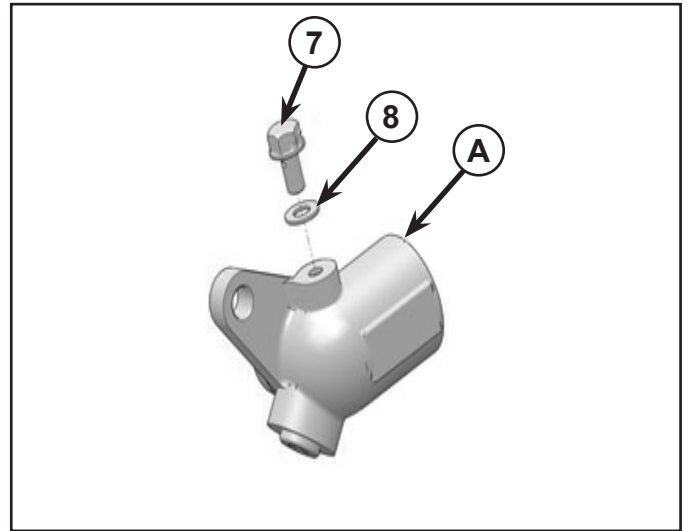
2. Install plug fitting (5) on to the heater block adaptor assembly (A) by applying pipe sealant or teflon tape.



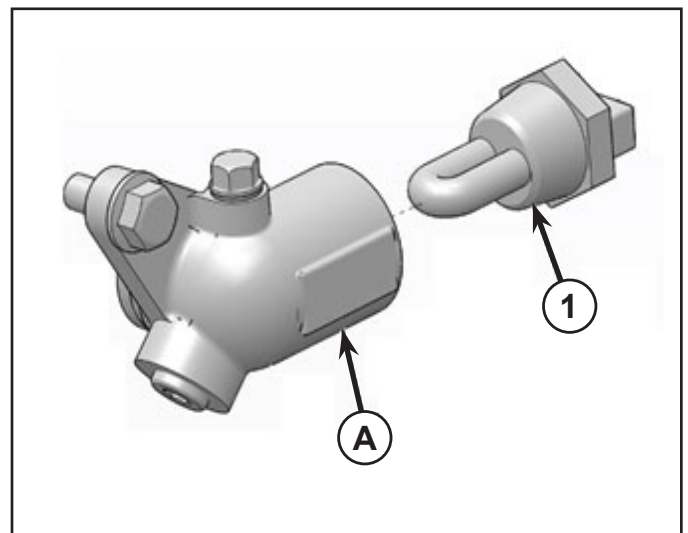
**NOTE:** If vehicle installed with heater kit, Use hose fitting (3) instead of plug fitting (5).



3. Install M6 bleed screw (7) on to the heater block adaptor assembly (A).

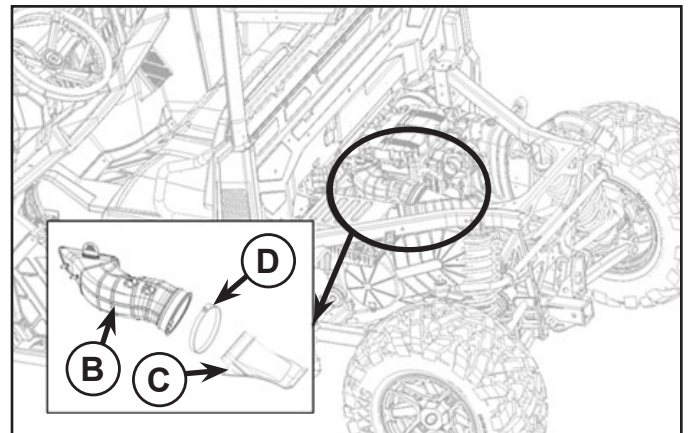


4. Install heater block element (1) on to the heater block adaptor assembly (A) by applying pipe sealant or teflon tape.

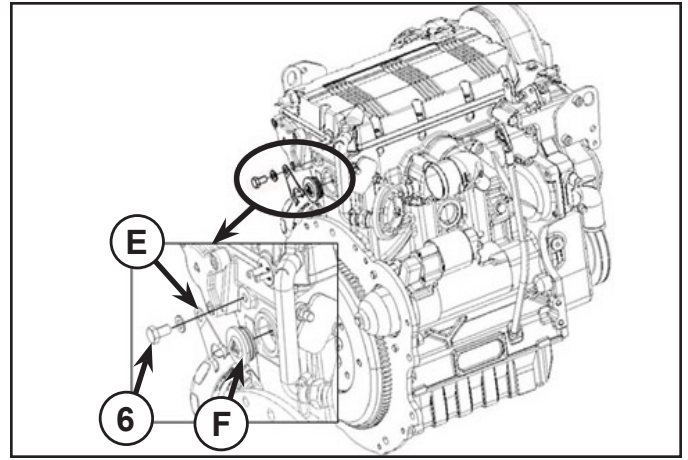


## INSTALLATION INSTRUCTIONS

1. Place the vehicle in "PARK". Lift the cargo box in upright (slant) position. Turn "OFF" the key and remove it from the vehicle.
2. Drain coolant from engine block.
3. Remove clutch hose (B) from clutch duct (C) by removing worn clamp (D).

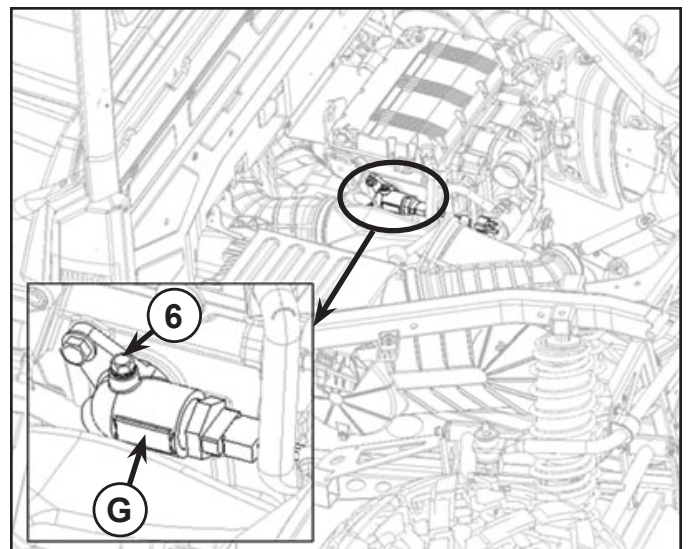
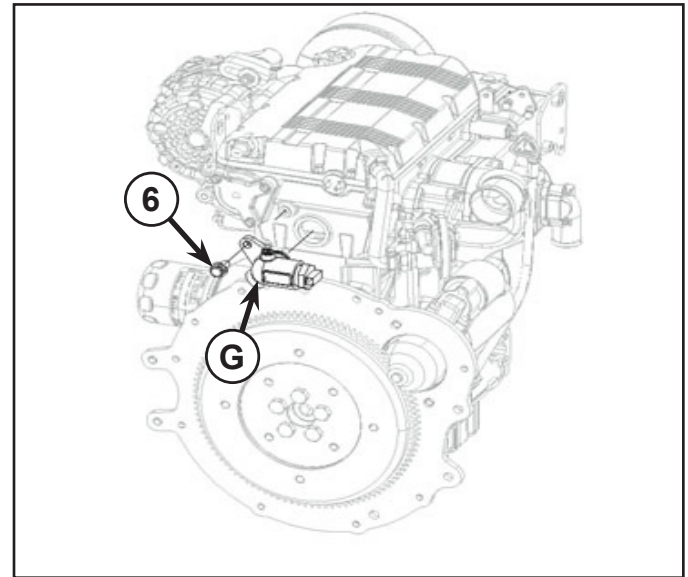


4. Remove bracket (E) with M8 bolt (6) from engine to remove plug (F) as shown in figure.

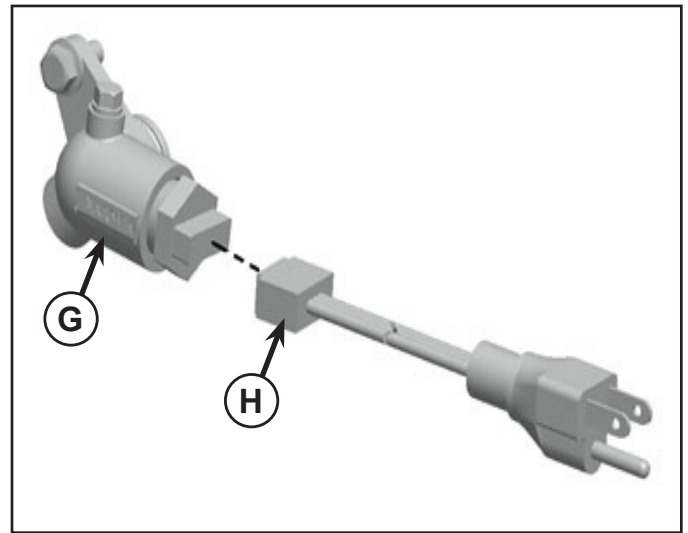


5. Mount heater block assembly (G) with M8 bolt (6). Tighten the bolt to torque 16 ft. lbs. (21.7 Nm).

**NOTE:** Before installing assembly, lubricate the surface of the O-ring to prevent damage to the O-ring or leaks.

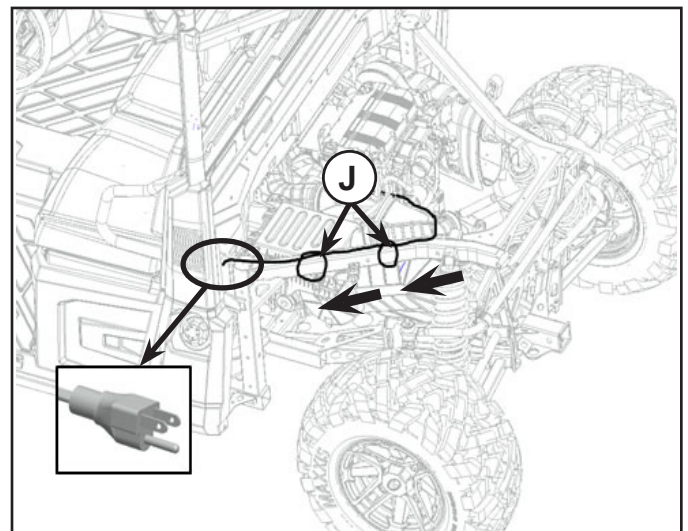


6. Plug power cord (H) into heater block assembly (G).



7. Route the harness along with frame tube and secure with straps (J) or tape as shown in figure.

**NOTE:** Ensure power cord is fastened to existing wiring in engine compartment to prevent damage from contact with hot or moving parts. See the arrows in figure for harness routing.



8. Refill the engine coolant system with Polaris specified coolant, start engine and check for leaks.

**WARNING:** DO NOT plug in heater if element is not immersed in coolant, If not immersed, Element sheath may burst and could result in personal injury.

9. Before applying power to heater, remove all trapped air by running engine 5-10 minutes and adjust bleed screw (7).

10. Put down the dump box to the original position.