

# GEAR VAULT KIT



**P/N 2882353**

## APPLICATION

Verify accessory fitment at [Polaris.com](http://Polaris.com).

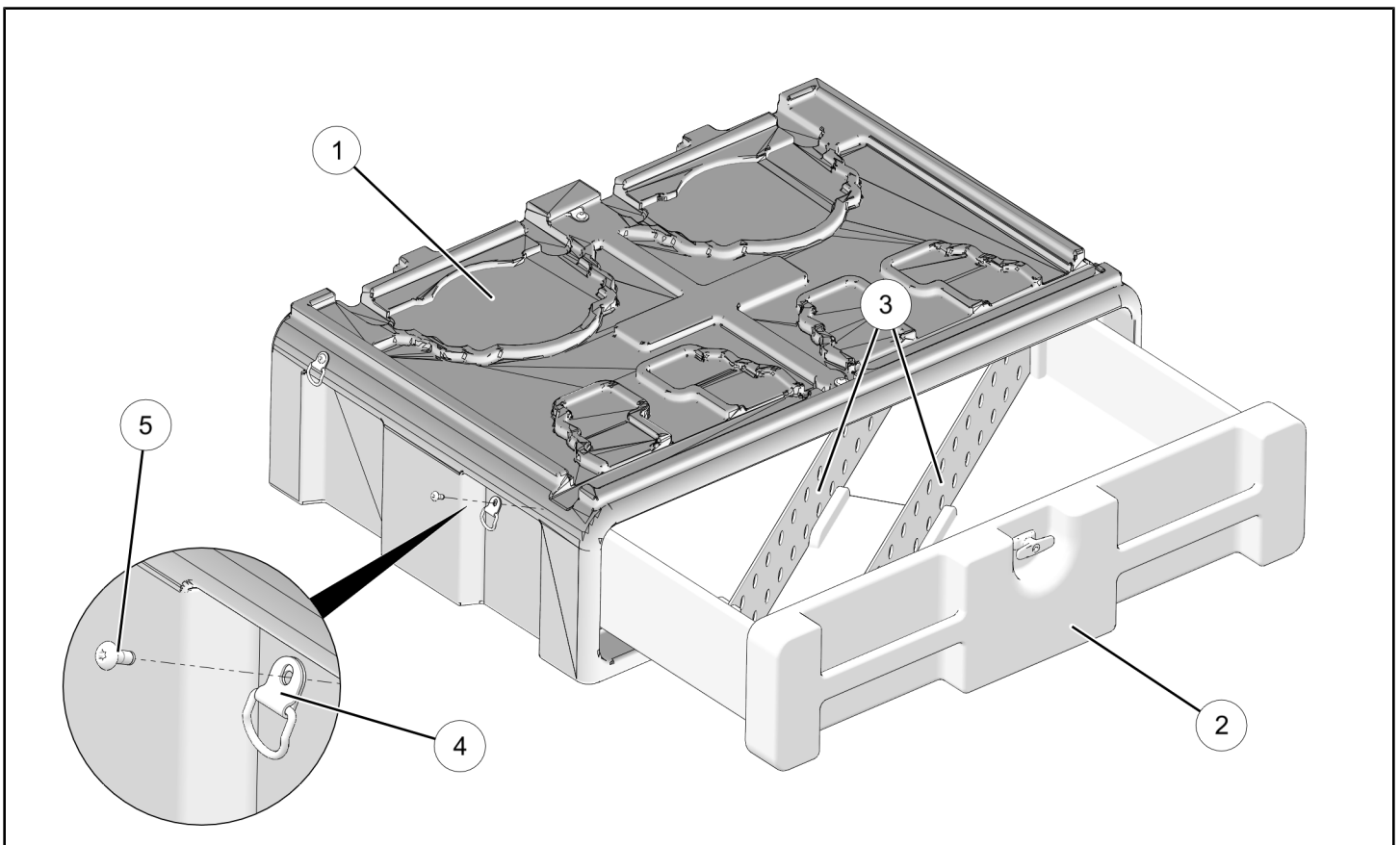
## BEFORE YOU BEGIN

Read these instructions and check to be sure all parts and tools are accounted for. Please retain these installation instructions for future reference and parts ordering information.

## KIT CONTENTS

Polaris recommends securing this Gear Vault in your vehicle bed using commercially available ratcheting tie-down straps (sold separately).

This Kit includes:



REF	QTY	PART DESCRIPTION	PART NUMBER
1	1	Gear Vault, Outer	-
2	1	Gear Vault, Inner	-
3	2	Divider	-
4*	6	D-Ring	7081195
5*	6	Screw, Torx® Truss Head, High/Low - M8 X 1.25 X 20	7519997
	1	Instructions	9927710

Items marked (\*) are included in Hardware Kit PN 2206567.

## TOOLS REQUIRED

None

## IMPORTANT

Your Gear Vault Kit is exclusively designed for your vehicle. Please read the installation instructions thoroughly before beginning. Installation is easier if the vehicle is clean and free of debris. For your safety, and to ensure a satisfactory installation, perform all installation steps correctly in the sequence shown.

## ASSEMBLY TIME

No assembly required.

## INSTALLATION INSTRUCTIONS

1. Shift vehicle transmission into "PARK". Turn key to "OFF" position and remove from vehicle.
2. Secure gear vault to vehicle bed using commercially available ratcheting tie-down straps (sold separately).

The gear vault upper surface is designed to accommodate a number of accessories or combinations of accessories (each sold separately):

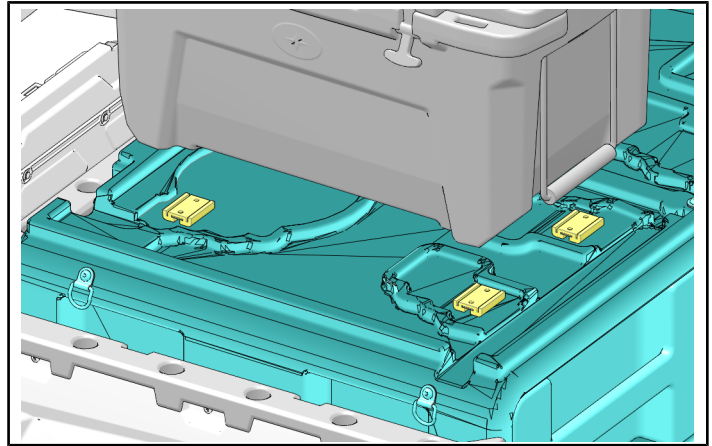
- Up to two 5-gallon buckets (one in each corner of vault towards front of vehicle)
- Up to two Dog Kennel Kits, PN 2882354.

- Up to two Northstar® Coolers: 30 quart, PN 2881315, and/or 60 quart, PN 2881259.

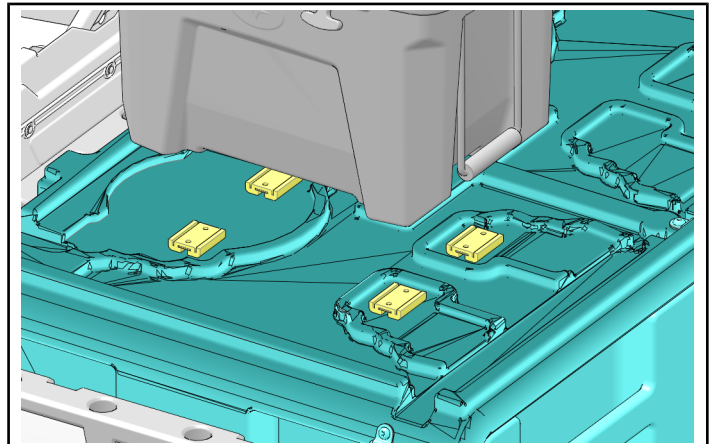
### NOTE

Cooler pads shown in mounting locations.

60 Quart Cooler:



30 Quart Cooler:



### NOTE

Kennel feet shown in mounting locations.

