

# BACKREST ASSEMBLY KIT

P/N 2879887

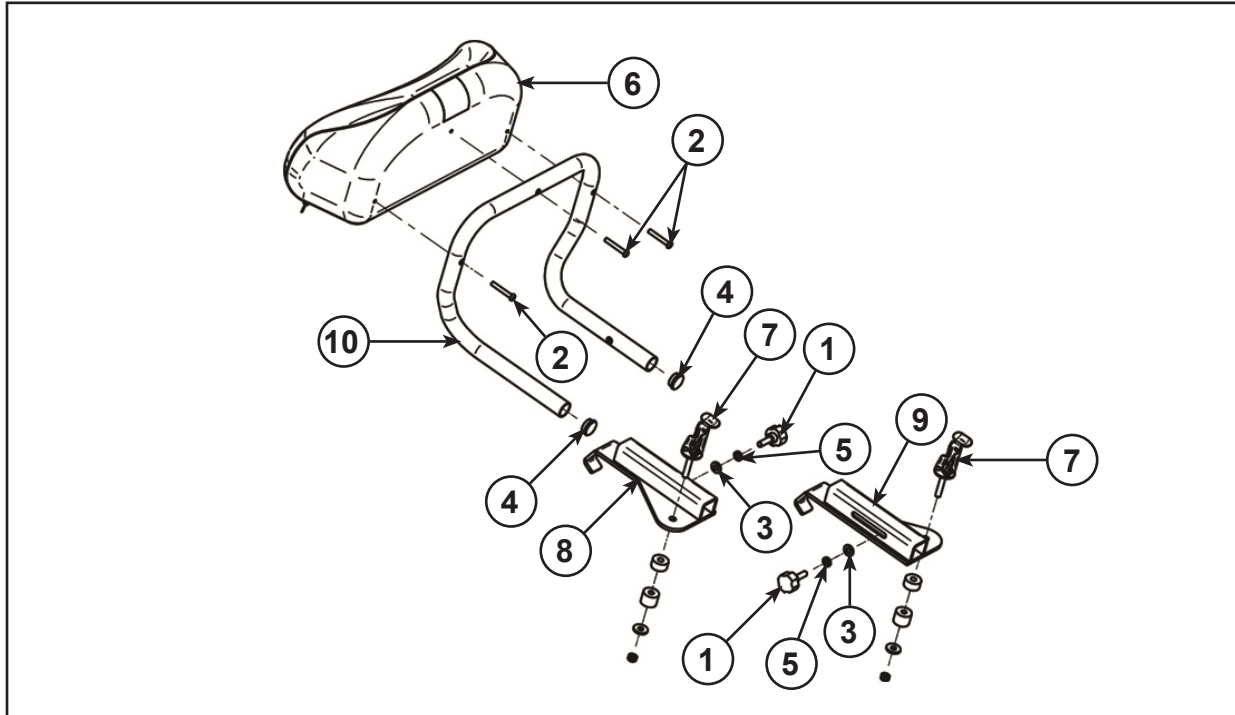


# POLARIS®

## Application

ALL SPORTSMAN MODELS, 2014 AND MORE RECENT

Before you begin, read these instructions twice and check to be sure all parts and tools are accounted for. The following instructions contain details required to install the contents of this kit.



## Kit Contents:

<u>Ref</u>	<u>Qty</u>	<u>Part Description</u>	<u>Part Number</u>
1	2	M8-1.25 x 25 mm Black Plastic Male Knob	-
2	3	M6-1.0 x 40 mm Allen Socket Machine Screw	-
3	2	5/16" Flat Washer	-
4	2	25.4 mm OD x 1.57 mm Thick Black Plastic Cap for Tube	-
5	2	5/16" Spring Lock Washer	-
6	1	Backrest Cushion	-
7	2	Lock & Ride Anchor	2876420
8	1	Left Slideway	-
9	1	Right Slideway	-
10	1	Backrest Support	-
	1	Instructions	9925005

## Tools Required:

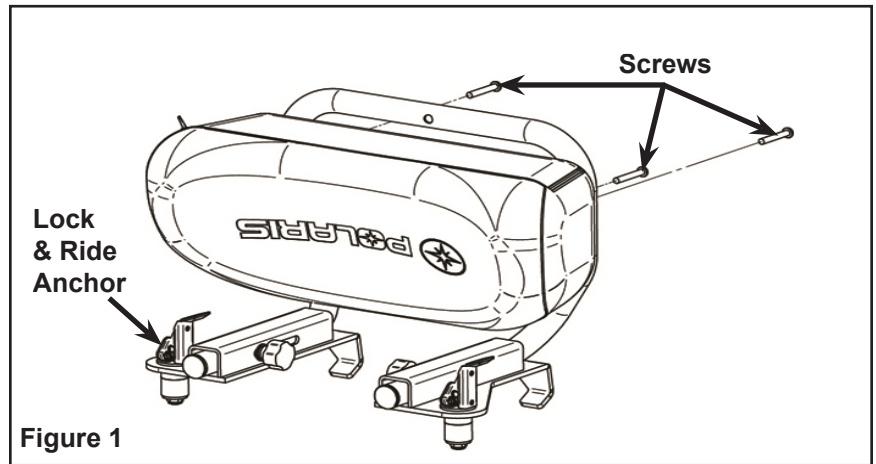
4 mm Allen Wrench or Socket

**APPROXIMATE ASSEMBLY TIME:** 20 minutes

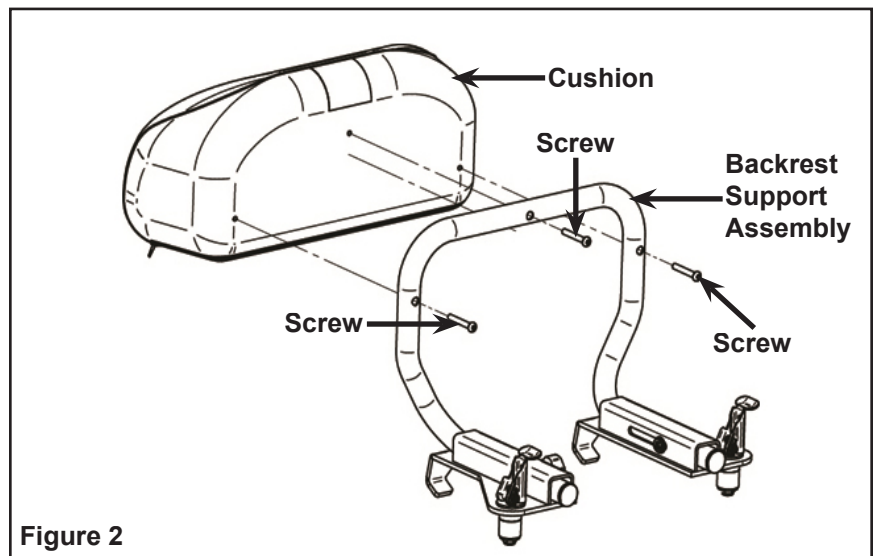
**IMPORTANT:** Your Polaris accessory is exclusively designed for your vehicle. Before beginning, please read these instructions and make sure that all parts and tools are at your disposal. Keep these instructions for future reference or for any information requests. To facilitate installation, make sure that your vehicle is clean and free of debris.

## INSTALLATION INSTRUCTIONS:

1. Remove the three Allen socket machine screws holding the backrest to its support. Figure 1.
2. Assemble the lock & ride anchors to the backrest frame as shown in Figure 1. Refer to exploded view on Page 1 if necessary.



3. Fasten the cushion onto the backrest support assembly using the three Allen socket machine screws removed in step 1. Figure 2.



4. Position the backrest assembly on the rear luggage rack and lock it in place using the two quick-release latches. Figure 3.

