

K-DOOR, REAR 900 XP RANGER CREW KIT



POLARIS®

P/N 2879641

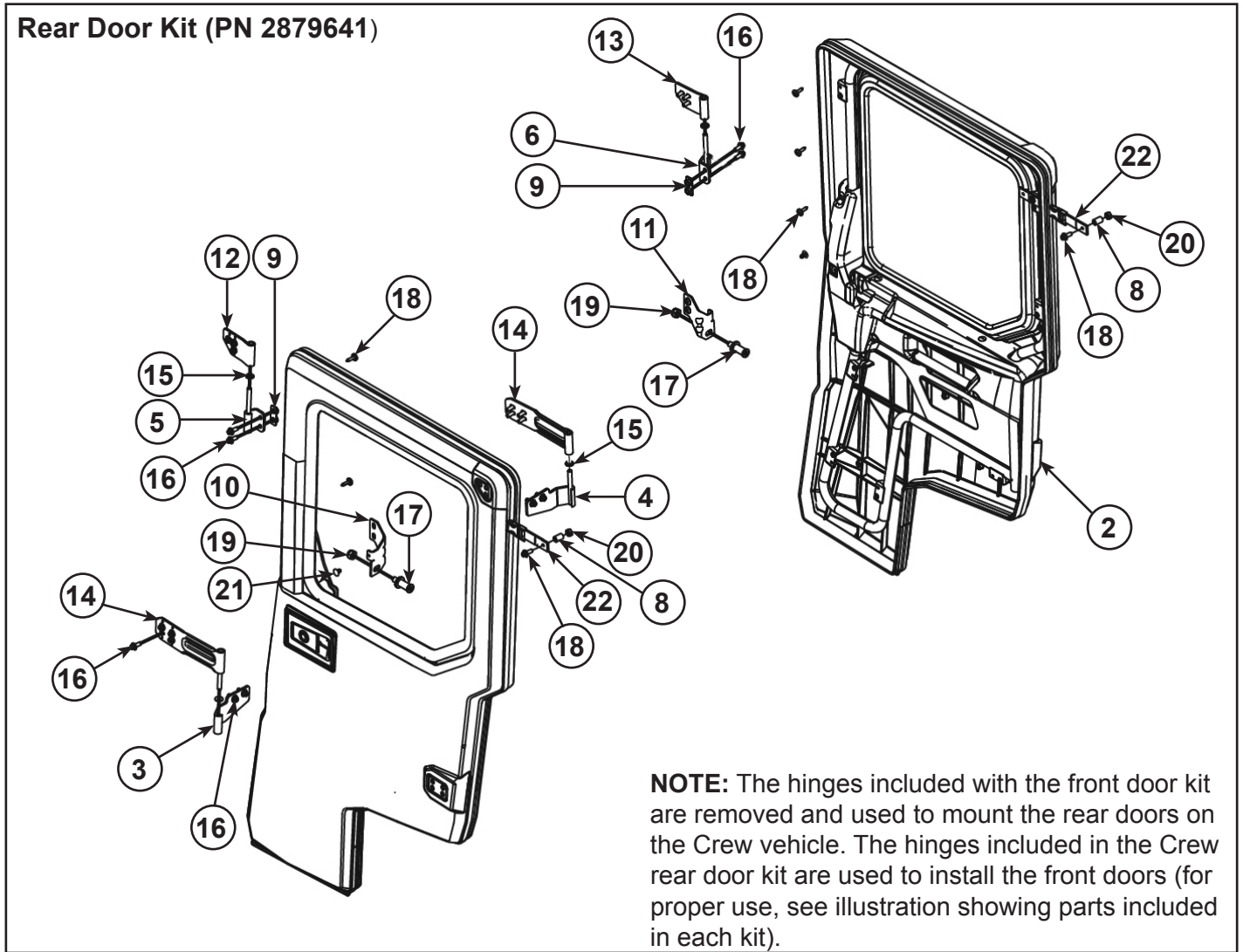
Application

RANGER 900 XP CREW

Before you begin, read these instructions twice and check to be sure all parts and tools are accounted for. Please retain these installation instructions for future reference and parts ordering information.

IMPORTANT: This kit requires purchase and concurrent installation with Front Door Kit (PN 2879124 - Hinged Window Door or PN 2879247 - Fixed Window Door).

IMPORTANT: Please discard the instructions that are included in either of the Front Door Kits. For installing doors on the Ranger Crew, use only the instructions (PN 9924518) included in the Rear Door Kit.



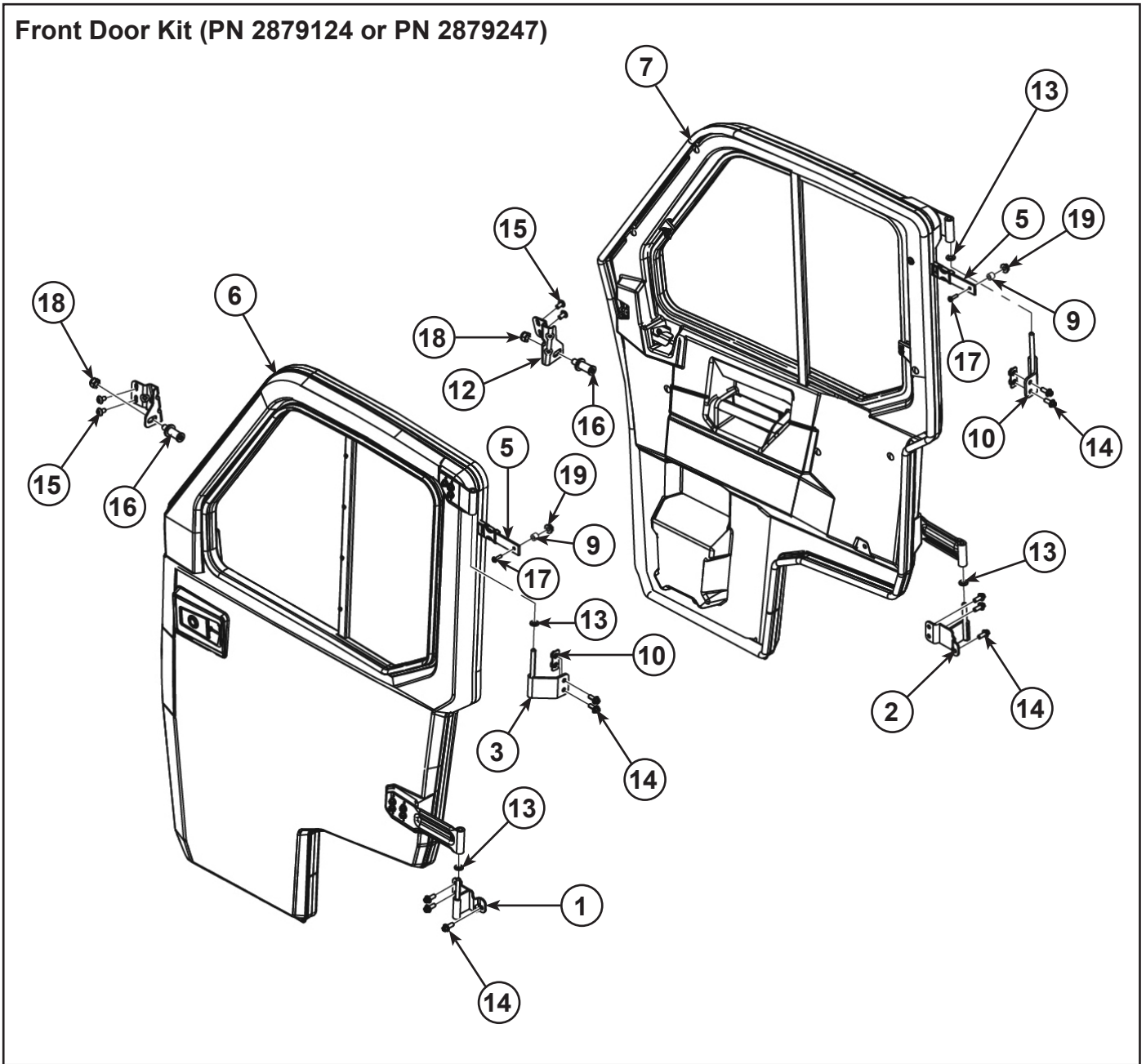
Kit (2879641) Contents:

<u>Ref</u>	<u>Qty</u>	<u>Part Description</u>	<u>Part Number</u>
1	1	Assembly-Door, RR, LH, TTC	1019773
2	1	Assembly-Door, RR, RH, TTC	1019774
3	1	Lower Weld-Hinge, LH	1019783
4	1	Lower Weld-Hinge, RH	1019784

<u>Ref</u>	<u>Qty</u>	<u>Part Description</u>	<u>Part Number</u>
5	1	Upper Weld-Hinge, LH	1019785
6	1	Upper Weld-Hinge, RH	1019786
7	1	K-Seal, Cab	2879657
8*	2	Spacer Aluminum, M6, Door Retainer, TTN	5139193
9	2	Plate-Hinge	5256140
10	1	Bracket-Striker, Adjust, LH	5257325
11	1	Bracket-Striker, Adjust, RH	5257326
12	1	Bracket-Hinge, Upper Door, LH	5257878
13	1	Bracket-Hinge, Upper Door, RH	5257879
14	2	Bracket-Hinge, Lower Door	5257880
15	4	Washer, 10.25x19.00x2.0, Nylon	5439712
16	22	Screw-HXFL-M8x1, 25x20 10.9 ZPB	7517838
17	2	Pin-Striker	7519358
18*	4	Screw-TXTH-M6x1.0x25 RIE	7519650
19	2	Hex-Nut-M12x1.75 8 Z Nylon	7540000
20*	2	Nut-M6x1.0, Flange, Nyloc-Olive D	7547339
21	2	Clip-Plastic, Dart, Nylon	7670088
22*	2	Rubber Strap, Door	5450947
	1	Instructions	9924518

Items marked (*) are included in Service Kit PN 2205280.

Front Door Kit (PN 2879124 or PN 2879247)



Kit (2879124/2879247) Contents:

<u>Ref</u>	<u>Qty</u>	<u>Part Description</u>	<u>Part Number</u>
1	1	Lower Weld-Hinge, LH	1018772
2	1	Lower Weld-Hinge, RH	1018773
3	1	Upper Weld-Hinge, LH	1018774
4	1	Upper Weld-Hinge, RH	1018775
5*	2	Rubber Strap, Door	5450947
6	1	Door-Assembly, LH	2634216 or 2634869
7	1	Door-Assembly, RH	2634217 or 2634870
8	1	K-Seal, Cab	2879385
9*	2	Spacer-Aluminum, M6, Door Retainer, TTN	5139193
10	2	Hinge-Plate	5256140

<u>Ref</u>	<u>Qty</u>	<u>Part Description</u>	<u>Part Number</u>
11	1	Bracket-Striker, Adjust, LH	5256943
12	1	Bracket-Striker, Adjust, RH	5256944
13	4	Washer, 10.25 x 19.00 x 2.0, Nylon	5439712
14	10	Screw-HXFL-M8x1.25x20 10.9 ZPB	7517838
15	4	Screw-TXTH-M8x1.25x15 8.8 ZOD P80	7519109
16	2	Pin-Striker	7519358
17*	4	Screw-TXTH-M6x1.0x25 RIE	7519650
18	2	Nut-Hex-M12x1.75 8 Z Nylon	7540000
19*	2	Nut-M6x1.0, Flange, Nylon-Olive D	7547339
	1	Kit Instructions	9924119
	1	Instructions	9924232

Items marked (*) are included in Service Kit PN 2205280.

Tools Required:

Drill	Torx Bits	Flathead Screwdriver
Utility Knife or Air Saw	Phillips Screwdrivers	Metric Wrenches
Soft Faced Hammer	Allen Wrenches	

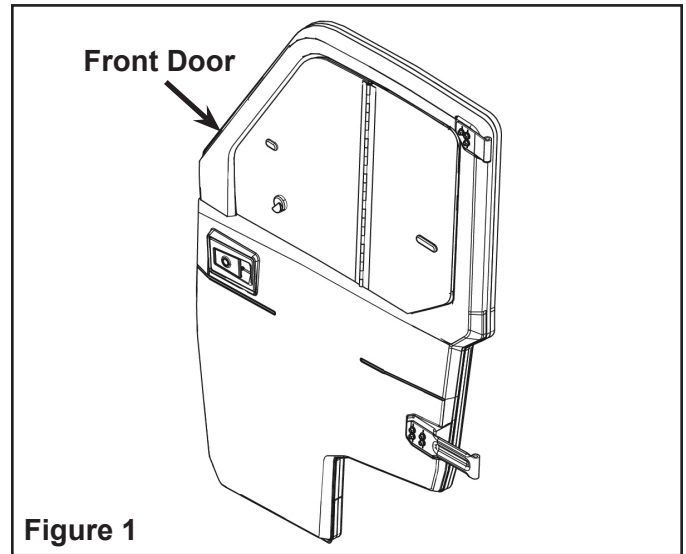
IMPORTANT: For your safety, and to ensure a satisfactory installation, perform all installation steps correctly in the sequence as shown on the attached instructions. Please wear safety glasses while performing the steps in the following instructions.

IMPORTANT: This instruction is only applicable when installing both kits PN 2879124 or PN 2879247 (Front Door) and PN 2879641 (Rear Door) at a time. Do not use instructions included in Front Door Kit (PN 2879124 / PN 2879247). This instruction includes information for installing both Front and Rear Door Kits.

INSTALLATION INSTRUCTIONS (Front Door Kit 2879124 or 2879247):

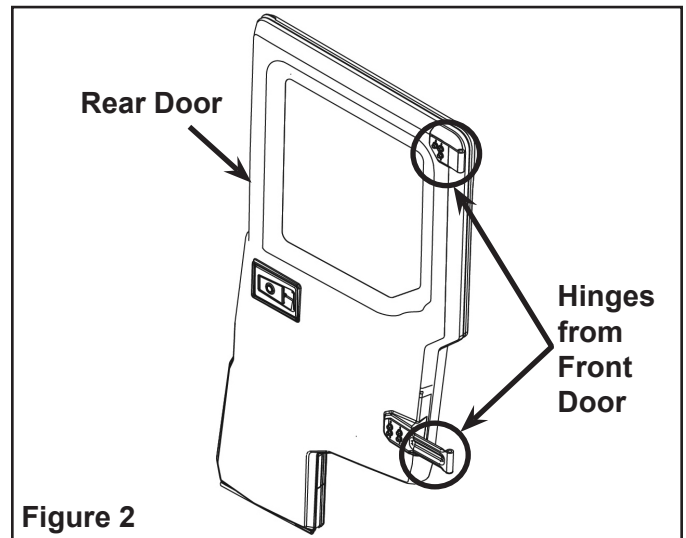
1. Place the vehicle in "PARK". Turn the key to the "OFF" position and remove from the vehicle. Lift the vehicle box.
2. Place front and rear driver's door on flat, clean surface as they will be installed on the vehicle. Remove the hinges from the front door. Figure 1.

IMPORTANT: Retain the hinges for the rear door installation.



3. Reinstall the hinges removed from the front door on the rear door in same orientation. Figure 2.

NOTE: The front door hinges are installed on the rear door.



4. Install the hinges from the rear door kit on the front door. Loosely tighten on the door for adjustments later. Figure 3 and Figure 4.

Quantity	Parts Description	Part Number
1	Lower Hinge, RH	5257878
1	Upper Hinge, RH	5257879
2	Lower Hinge, RH/LH	5257880

NOTE: These hinges are very similar to hinges removed in step 2 (front door hinges) but are 1/2" shorter than removed hinges. The short hinge will be installed on front door and long hinge installed on rear door.

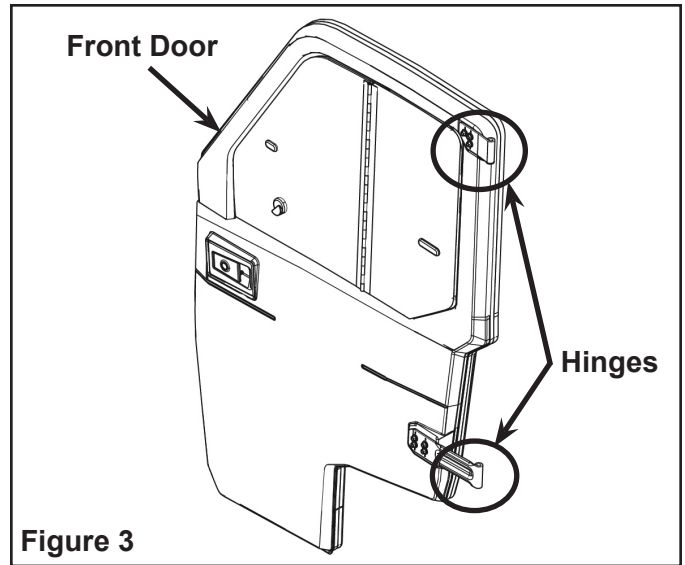


Figure 3

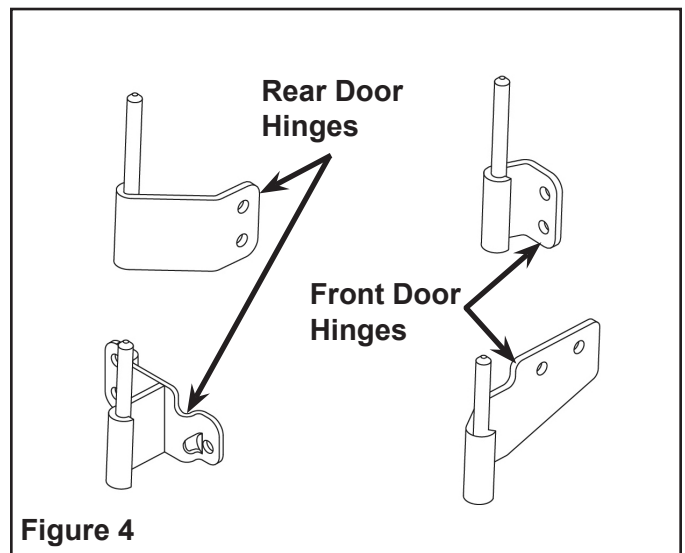


Figure 4

5. Repeat steps 2 through 4 for passenger side doors.

- Remove all the door nets. Retain all B and C-pillar fasteners for reinstallation. Retain fasteners removed from rear door net buckle as they will be re-used for mounting the door striker bracket. Do not re-use fasteners removed with front door net buckle; they are replaced with other fasteners in the front door hardware kit. Figure 5.

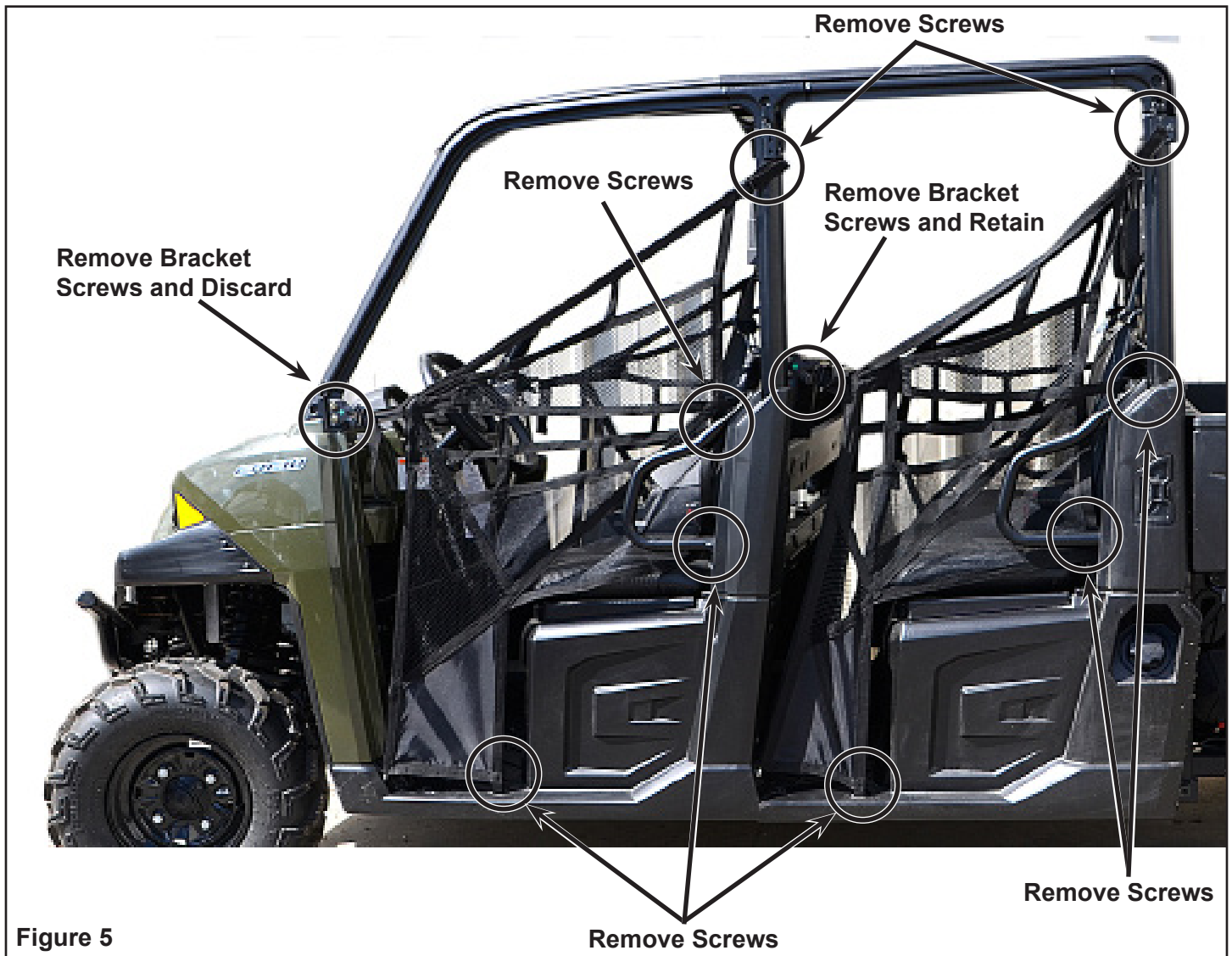


Figure 5

- Remove B-pillar cover by removing two dart clips and three screws. Retain fasteners for reinstallation. Figure 6.

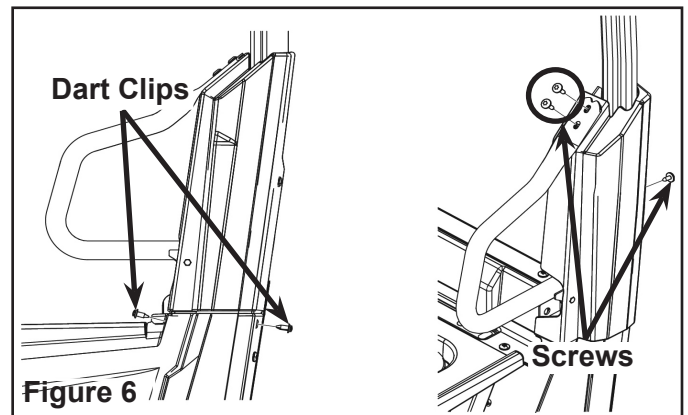
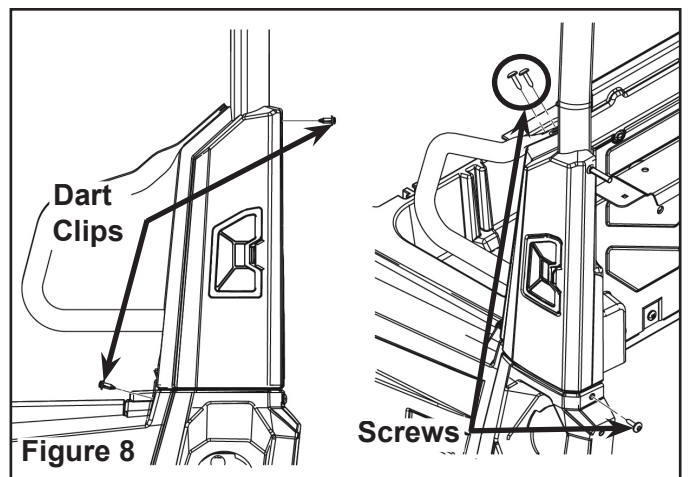


Figure 6

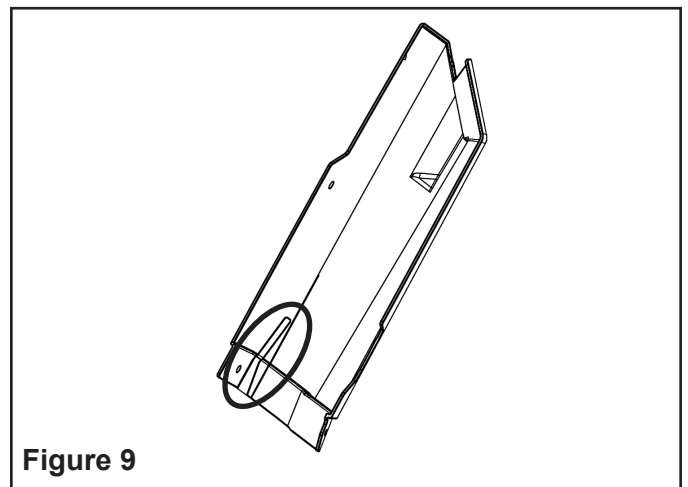
8. Starting on either side of vehicle, loosen the duct hose clamp located behind the rear seat using a flathead screwdriver. Slide the duct away from C-pillar cover. Figure 7.



9. Remove the C-pillar cover by removing two dart clips and three screws. Retain fasteners for reinstallation. Figure 8.



10. Cut a slot for the lower hinge bracket in the B-pillar cover with an utility knife or air saw. The area to be removed is marked on the back of the cover. Figure 9.



11. Cut a slot on the C-pillar cover for the lower hinge bracket using an utility knife or air saw. Figure 10.

NOTE: The area for slot is marked on back of the cover.

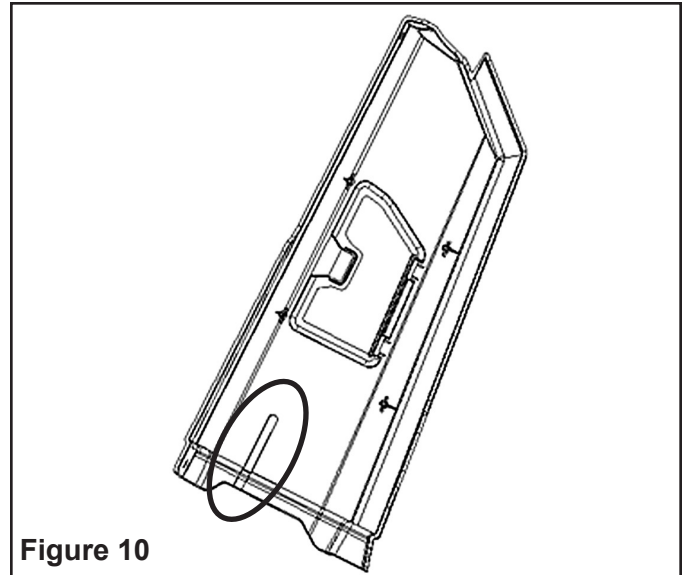


Figure 10

Installation of lower hinge brackets on B-pillar and C-pillar

12. Install the B-pillar lower hinge bracket (PN 1019784 RH; 1019783 LH) using two screws (PN 7517838) in the existing holes on the vehicle with a 13 mm socket wrench. Torque to 17 ft. lbs. (23 Nm). Figure 11.

IMPORTANT: These brackets are for the front door mounting, but are included in the rear door kit.

NOTE: For hinge top view orientation, refer Figure 11-A.

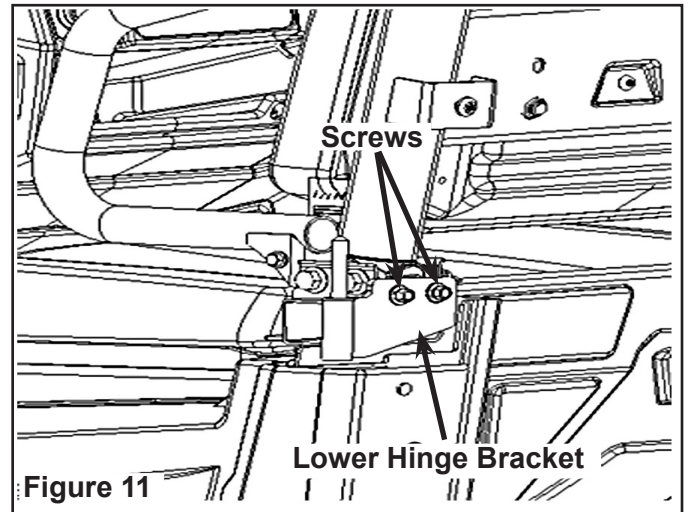


Figure 11

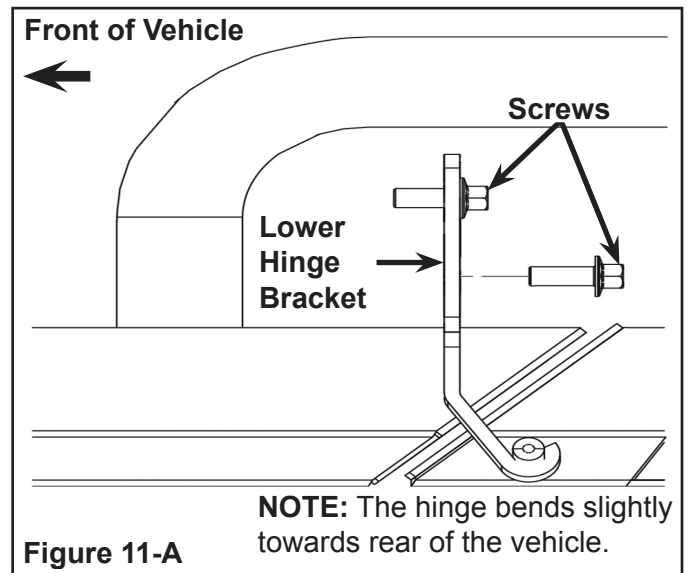
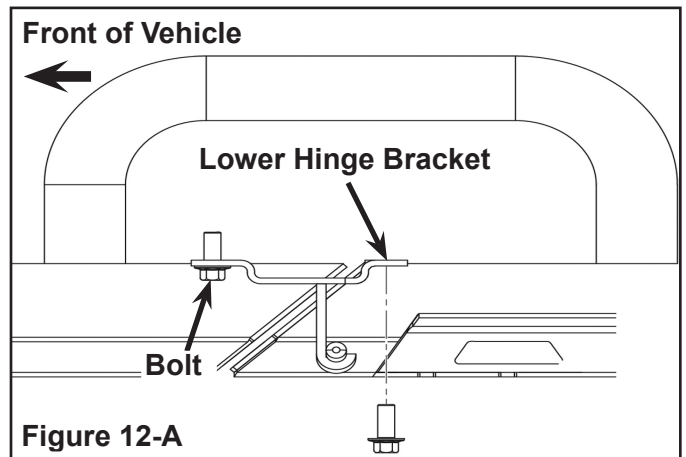
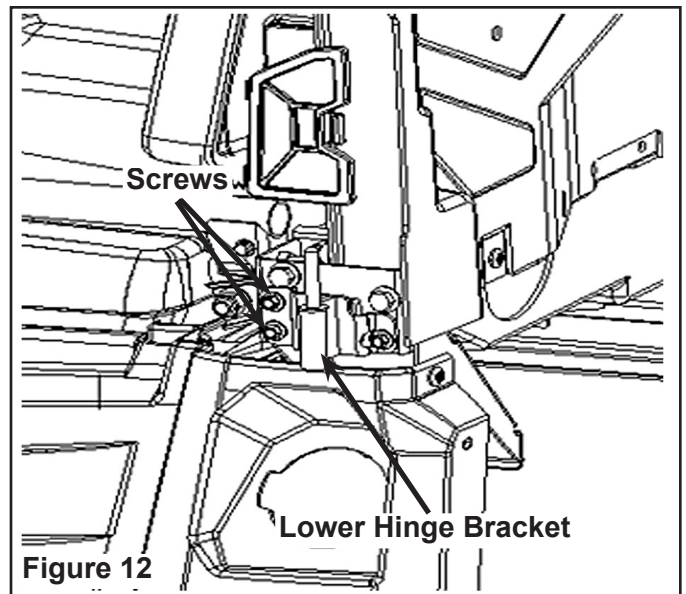


Figure 11-A

13. Install the C-pillar lower hinge bracket (PN 1018773 RH; 1018772 LH) using three screws (PN 7517838) in the existing holes on the vehicle with a 13 mm socket wrench. Torque to 17 ft. lbs. (23 Nm). Figure 12.

IMPORTANT: These brackets are for the rear door mounting, but are included in the front door kit.

NOTE: For hinge top view orientation, refer Figure 12-A.

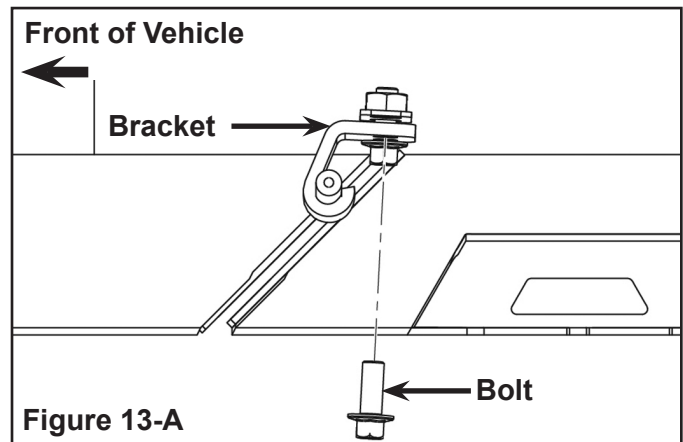
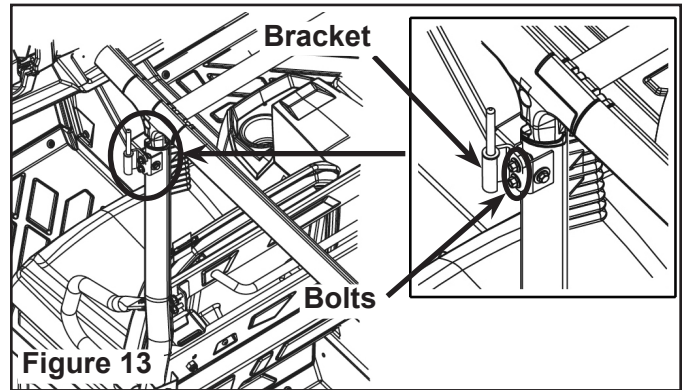


Installation of upper hinge brackets on B-pillar and C-pillar

14. Install the upper B-pillar hinge bracket (PN 1019786 RH; 1019785 LH) by putting two screws (PN 7517838) through bracket and threaded backing plate (PN 5256140). Loosely tighten to frame for adjustments later. Figure 13.

IMPORTANT: These brackets are for the front door mounting, but are included in the rear door kit.

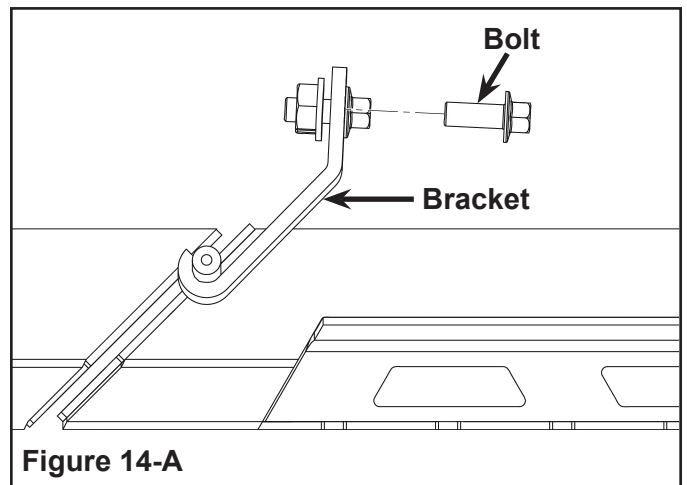
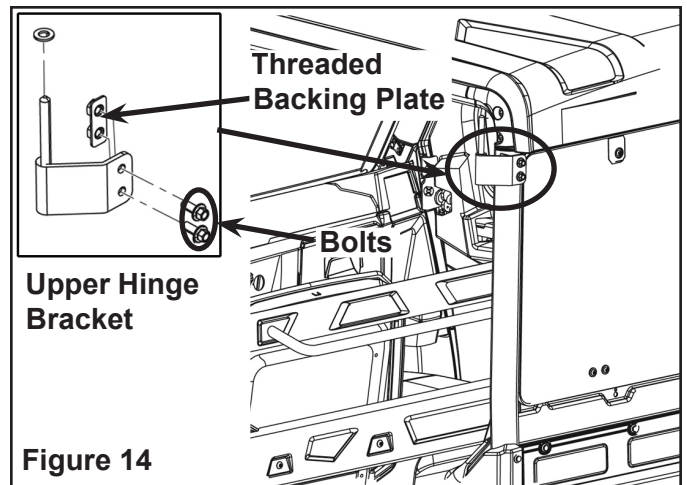
NOTE: For hinge top view orientation, refer Figure 13-A.



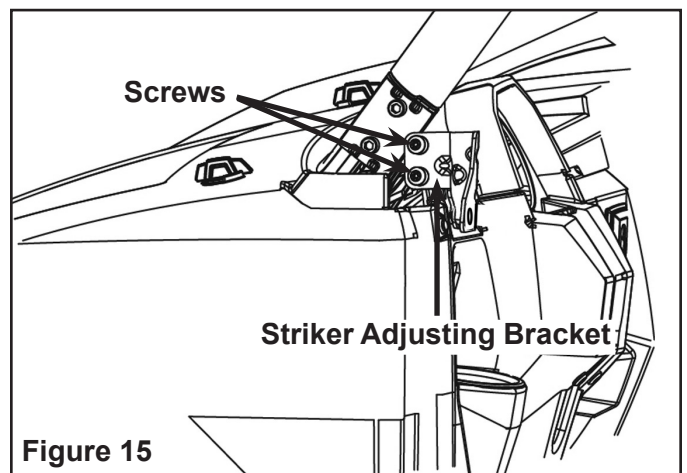
15. Install the C-pillar upper hinge bracket (PN 1018775 RH; 1018774 LH) by putting two bolts (PN 7517838) through the bracket and threaded backing plate (PN 5256140). Loosely tighten to frame for adjustments later. Figure 14.

IMPORTANT: These brackets are for the rear door mounting, but are included in the front door kit.

NOTE: For hinge top view orientation, refer Figure 14-A.



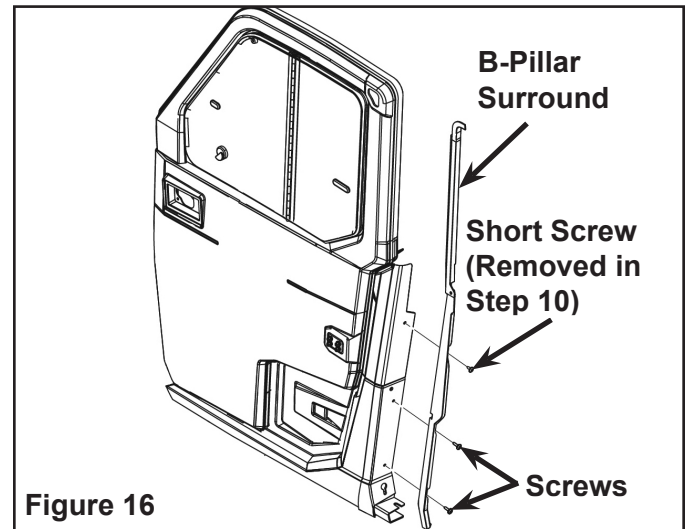
16. Mount the front door striker bracket (PN 5256944 RH; 5256943 LH) with two screws (PN 7519109) from front door hardware kit. Loosely tighten allowing for adjustment later. Figure 15.



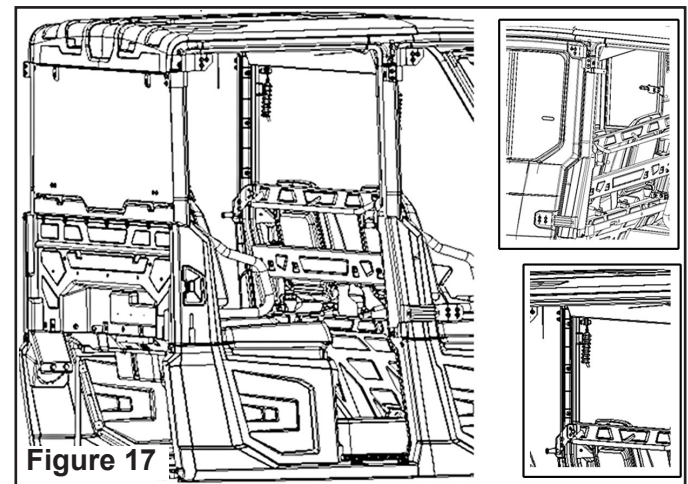
17. Install the seal kits (PN 2879657 and PN 2879385). Refer to instructions included in those kits.

18. Set B-pillar covers removed in Step 7 back in place, but do not reinstall hardware.

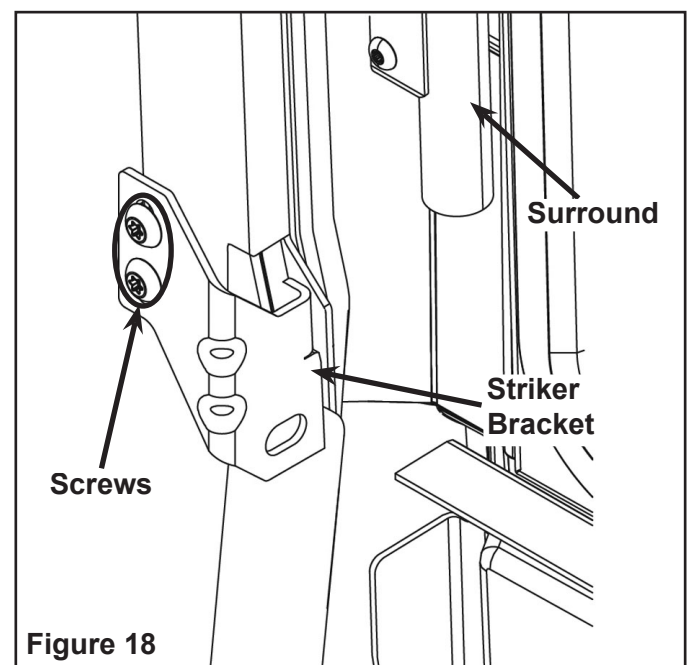
19. Remove two screws from the rocker panel. Place B-pillar door surround (PN 5450560 RH; 5450559 LH) in place, then reinstall three screws removed. Make sure short screw is reinstalled in the upper position of the three. Install three new screws (PN 7519650) from kit through B-pillar surround and into ROPS frame. Figure 16.



20. Mount the surround (PN 5450560 RH; 5450559 LH) on the B-pillar using three screws (PN 7519650) with Torx driver. Torque to 8 ft. lbs. (10.8 Nm). Figure 17.

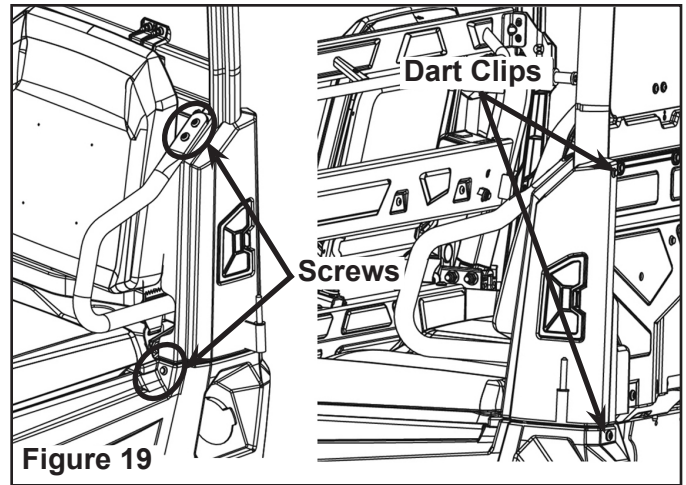


21. Mount the rear door striker bracket using hardware previously removed from rear door net buckle. Loosely tighten allowing for later adjustment. Figure 18.

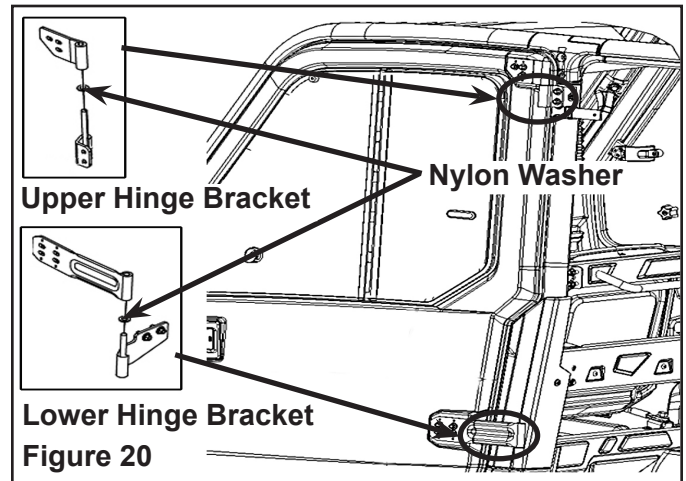


22. Reinstall the C-pillar cover using the retained fasteners. Figure 19.

IMPORTANT: Make sure to reconnect engine and clutch intake ducts on C-Pillar cover.



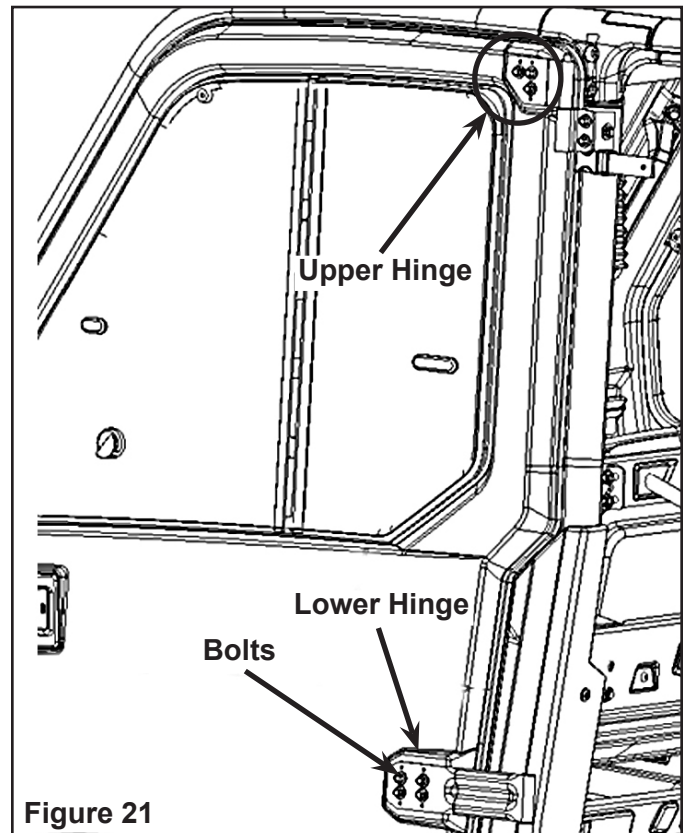
23. Install the front door on bracket pins by first installing nylon washers (PN 5439712) and placing the door on the upper hinge bracket then on lower hinge bracket. Figures 20.



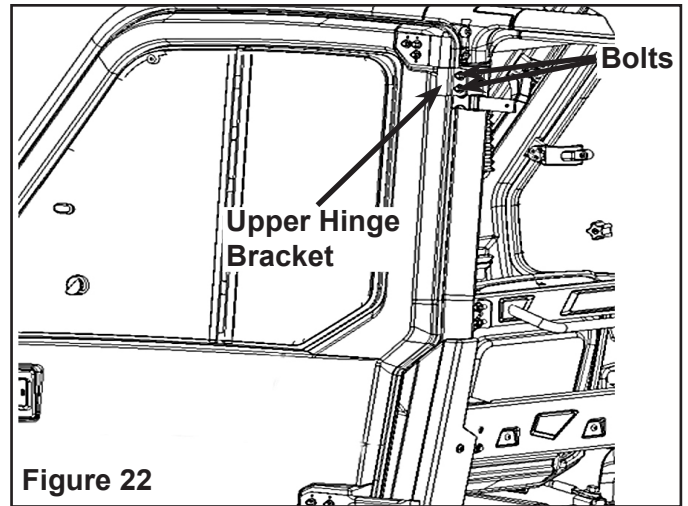
24. Center the front door into place. Loosen the bolts on the front door with a 13 mm socket as necessary to achieve proper fit. Figure 21.

NOTE: Ensure only to loosen the bolts holding the hinges to the door.

25. Once centered, tighten the upper and lower hinge bolts on the door using a 13 mm socket wrench. Torque to 17 ft. lbs. (23 Nm). Figure 21.



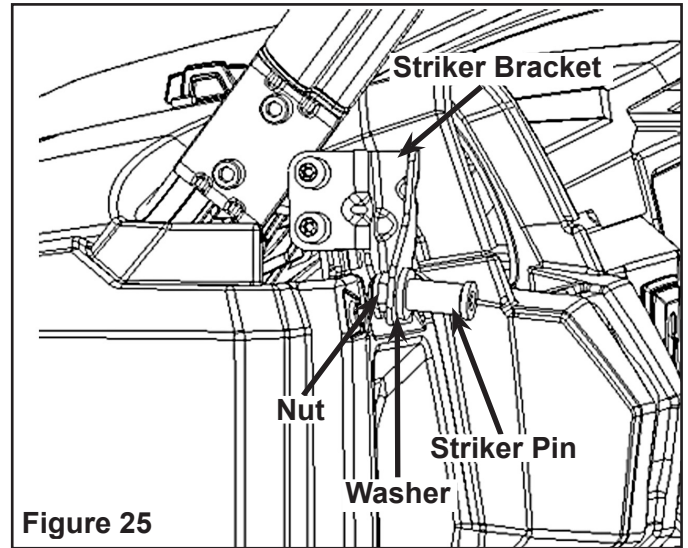
26. Rotate the front door out 90° and tighten top two bolts on the upper hinge bracket.
Torque to 17 ft. lbs. (23 Nm). Figure 22.



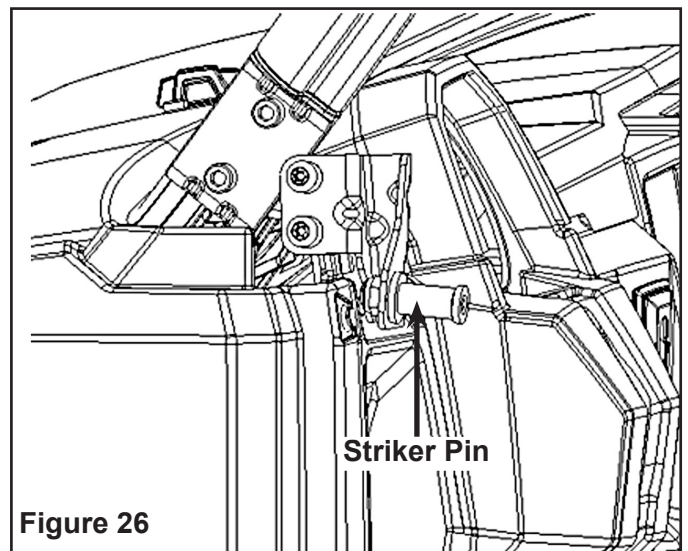
27. Install limiter strap to seat belt upper mounting bracket. The preferred location is on the underside of the bracket, but if your vehicle only has one hole on top of the bracket install the hardware there. Figure 23 and Figure 24.



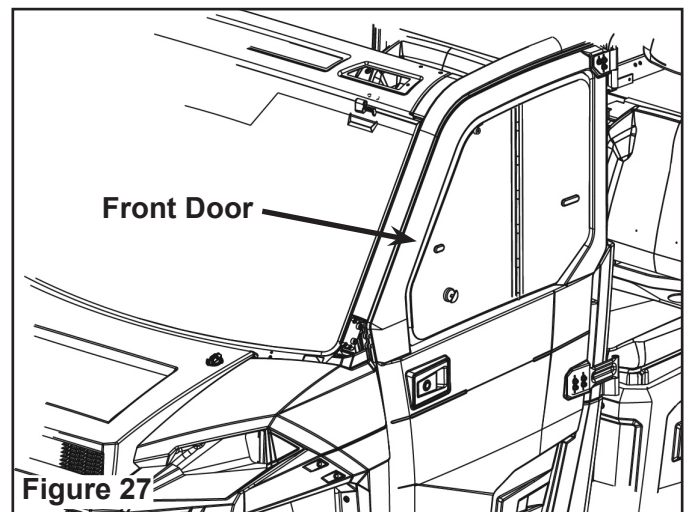
28. Install the striker pin (PN 7519358), washer (PN 5439712) and nut (PN 7540000) into striker bracket. Tighten until snug. Figure 25.



29. Close the front door and adjust the striker pin to the correct position for door sealing. Figure 26.

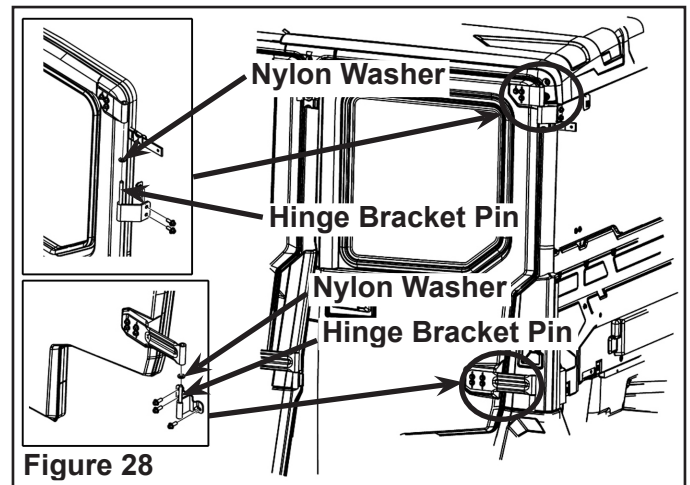


30. Open and close the front door and adjust the door latch and striker pin so the front door opens and closes smoothly. Check alignment of the front door and adjust as necessary. Figure 27.
31. Torque the striker nut to 30 ft. lbs. (40.6 Nm). Torque striker bracket mounting bolts to 22 ft.lbs. (29.8 Nm).

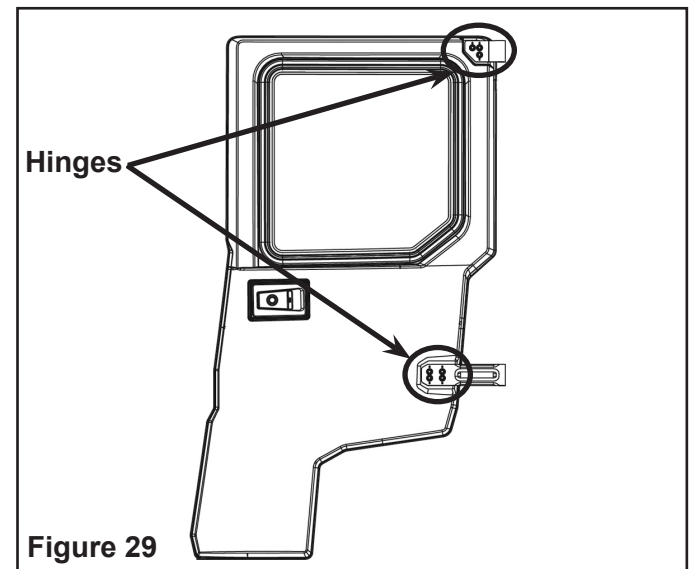


32. Place nylon washers (PN 5439712) on lower and upper hinge brackets pins.

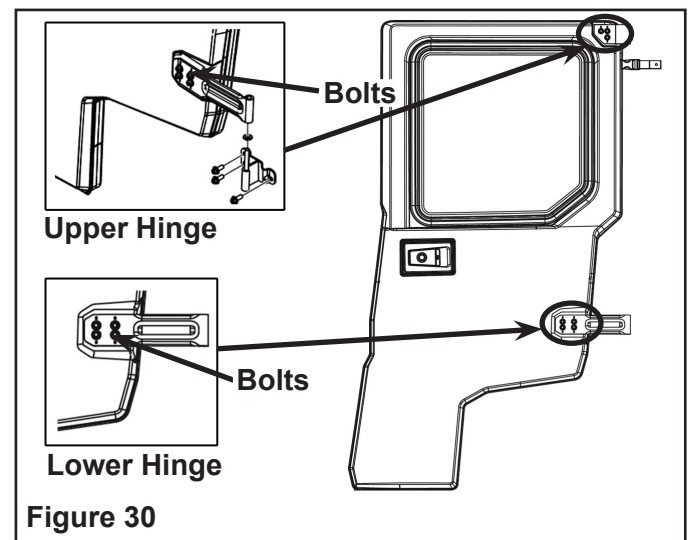
Place the door on the top door bracket first then on the bottom door bracket. Figure 28.



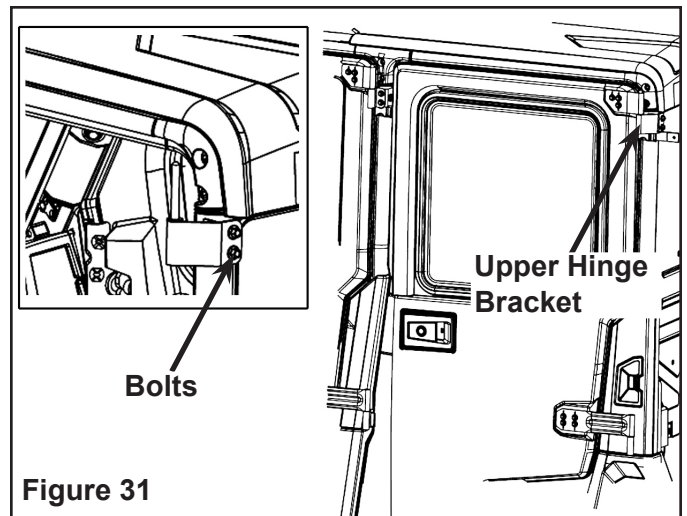
33. Loosen the upper and lower hinge brackets as necessary for proper door alignment. Use a 13 mm socket wrench. Align door using outside edge of door and ROPS frame to determine best fit. In order to maintain clearance to hinge for front doors, slide rear door slightly rearward in ROPS frame before tightening hinges. Figure 29.



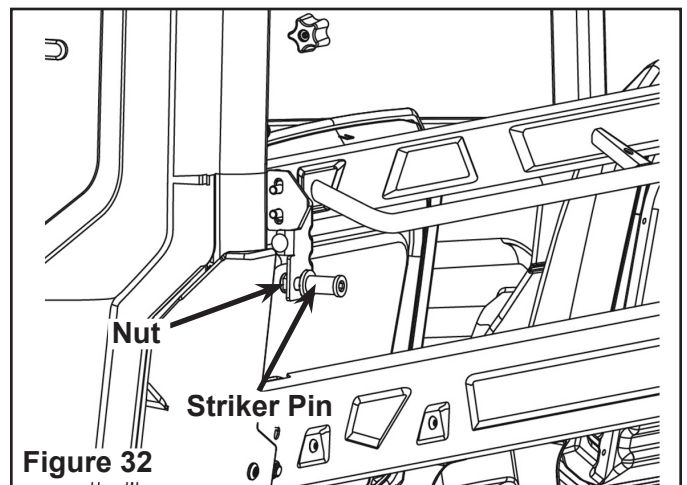
34. Once door aligned, tighten the lower and upper hinge bracket bolts using a 13 mm socket wrench. Torque to 17 ft. lbs. (23 Nm). Figure 30.



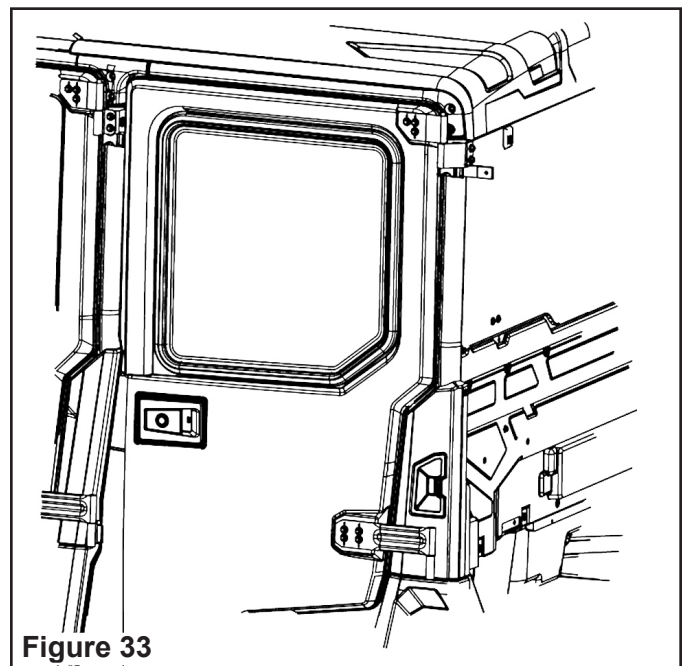
35. Rotate door out 90° and tighten top two bolts on the upper hinge bracket. Torque to 17 ft. lbs. (23 Nm).
Figure 31.



36. Install striker pin, (PN 7519358) and nut (PN 7540000) into striker bracket. Tighten until snug. Figure 32.
37. Open and close the door and adjust the door latch and striker pin so the door opens and closes smoothly.



38. Check alignment of the door and adjust as necessary. Figure 33.
39. Torque the striker nut to 30 ft. lbs. (40.6 Nm).
40. Repeat Steps 3 through 39 for the passenger side doors.
41. Finish installation of foam cab seal kit under the dash and on the rear panel.





Front and rear doors installed on the vehicle.