

REAR CANVAS DOOR KIT

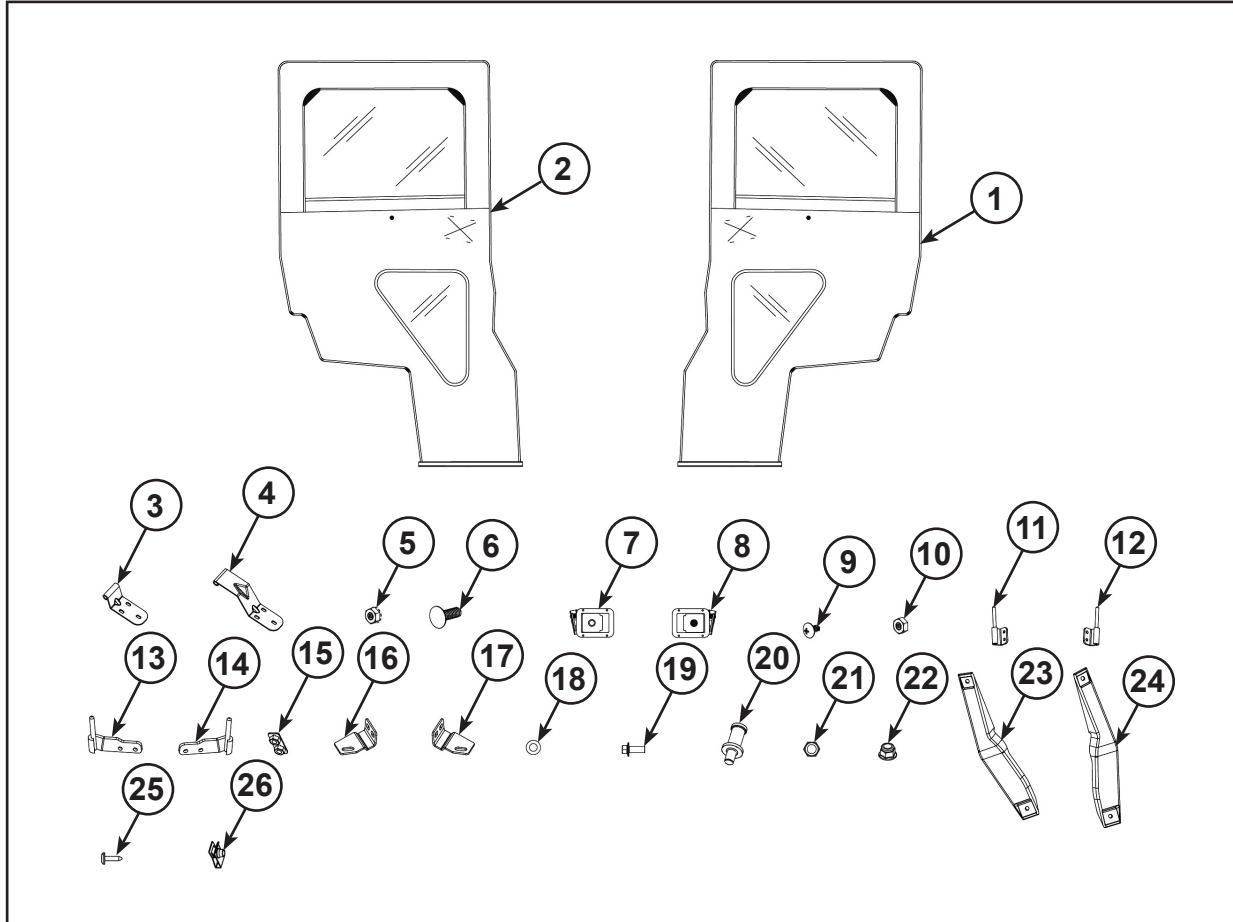
P/N 2879964

Application

RANGER 570 CREW



Before you begin, read these instructions twice and check to be sure all parts and tools are accounted for. Please retain these installation instructions for future reference and parts ordering information.



Kit Contents:

<u>Ref</u>	<u>Qty</u>	<u>Part Description</u>	<u>Part Number</u>
1	1	Rear Canvas frame, LH	-
2	1	Rear Canvas frame, RH	-
3*	1	Upper Hinge, LH	1019785
4*	1	Upper Hinge, RH	1019786
5*	12	Nut, 1/4-20 Kepnut	-
6*	12	Carriage Bolt 1/4-20 x 3/4"	-
7*	1	Locking Paddle Latch with Key, RH	-
8*	1	Locking Paddle Latch with Key, LH	-
9*	8	Screw, #10-32 X 3/8", Truss Head CR	-
10*	8	Nut, #10-32 Hex Lock	-
11*	1	Upper Hinge Bracket Weldment, LH	-
12*	1	Upper Hinge Bracket Weldment, RH	-

<u>Ref</u>	<u>Qty</u>	<u>Part Description</u>	<u>Part Number</u>
13*	1	Hinge Bracket Weldment, ROPS, Front LH	1020368
14*	1	Hinge Bracket Weldment, ROPS, Front RH	1020369
15*	2	Hinge Plate	5256140
16*	1	Door Bracket, Striker Mount, LH	5260152
17*	1	Door Bracket, Striker Mount, RH	5260153
18*	4	Flat Washer-10.25X19.0X2.0	5439712
19*	12	M8 Screw-1.25X20 HXFL	7517838
20*	2	Striker Pin	7519358
21*	2	Nut, M12-1.75 Hex 8 Z Nyloc	7540000
22*	4	Nut, Hex-M8-1.25 8 ZB3 Nyloc	7547454
23	1	Front Surround Door, RH	5450563
24	1	Front Surround Door, LH	5450564
25*	4	Screw-TXTH-M6-1.0X25	7519650
26*	2	Clip-U Speed Nut	7081305
	1	Instructions	9925427

Items marked (*) are included in Hardware Kit PN 2205783.

Tools Required:

Metric Socket Set
9/32" or "L" Drill Bit

Metric Wrench Set
5/16" Drill Bit

Torx Wrench

APPROXIMATE ASSEMBLY TIME: 30 minutes

IMPORTANT: Your Polaris REAR CANVAS DOOR KIT is exclusively designed for your vehicle. Please read the installation instructions thoroughly before beginning. Installation is easier if the vehicle is clean and free of debris. For your safety and to ensure a satisfactory installation, perform all installation steps correctly and in the sequence shown.

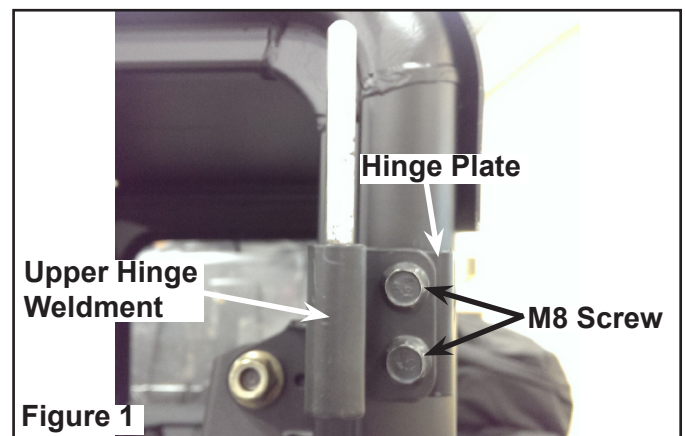
INSTALLATION INSTRUCTIONS:

1. Place the vehicle in "PARK". Turn the key to "OFF" position and remove from the vehicle.
2. Remove the driver's side rear net starting by removing the four M6 screws at two places.
3. Install the upper hinge weldment (PN 1019785) and hinge plate (PN 5256140) on the ROPS bracket using two M8 screws (PN 7517838). Figure 1.

NOTE: Slide the hinge plate in the direction of arrow.

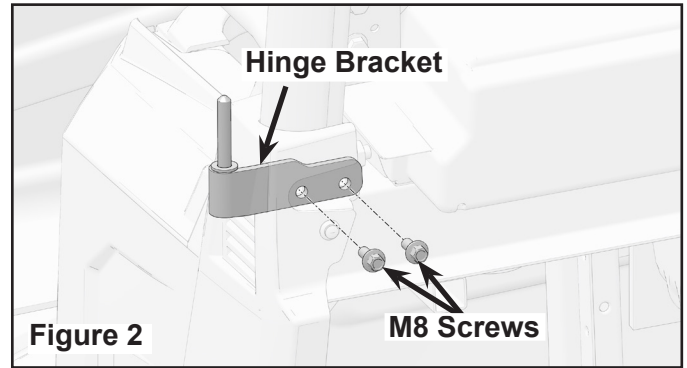
IMPORTANT: Do not torque the bolts.

4. Put the cargo box in unload (slant) condition.



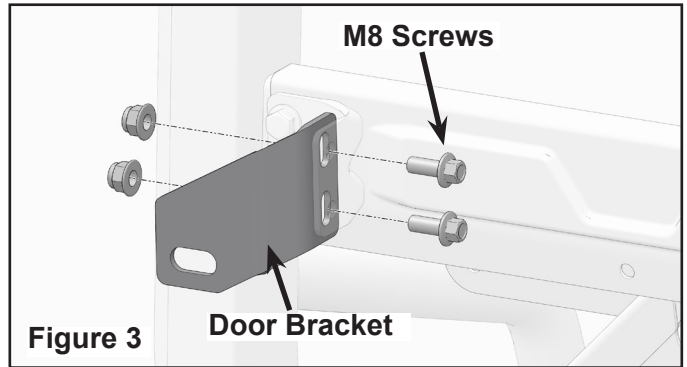
5. Install the hinge bracket (PN 1020368) on the ROPS using two M8 screws (PN 7517838) Figure 2.

IMPORTANT: Do not torque the bolts.



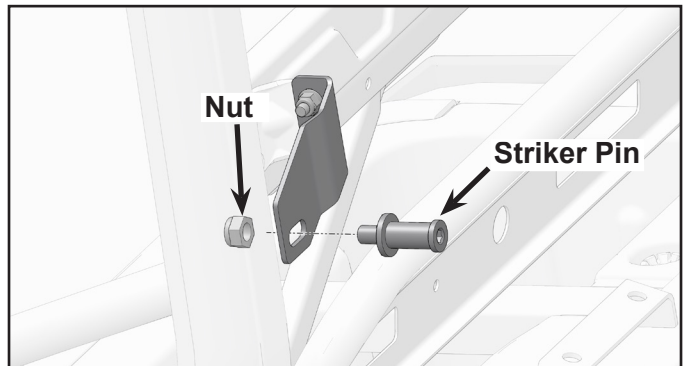
6. Install the door bracket (PN 5260152) on the weld cab frame using two M8 screws (PN 7517838). Figure 3.

IMPORTANT: Do not torque the bolts.

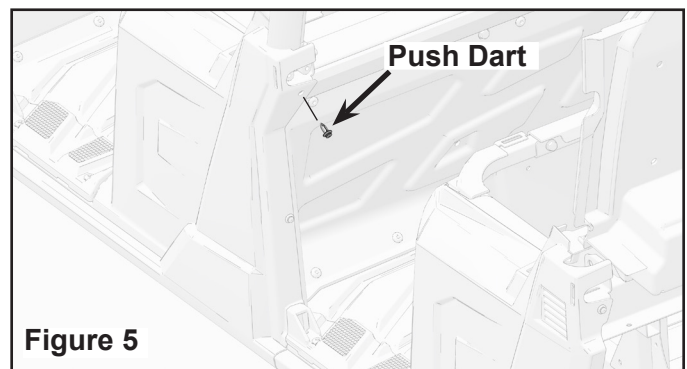


7. Install the striker pin (PN 7519358) on the weld-cab frame using one M12 nut (PN 7540000). Figure 4.

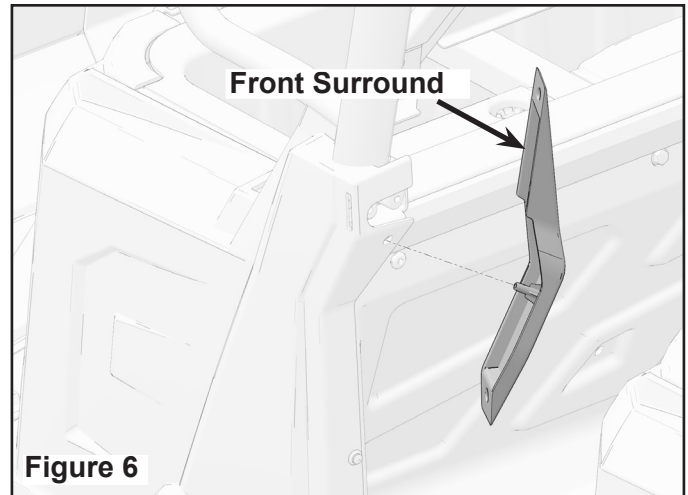
IMPORTANT: Do not torque the bolts.



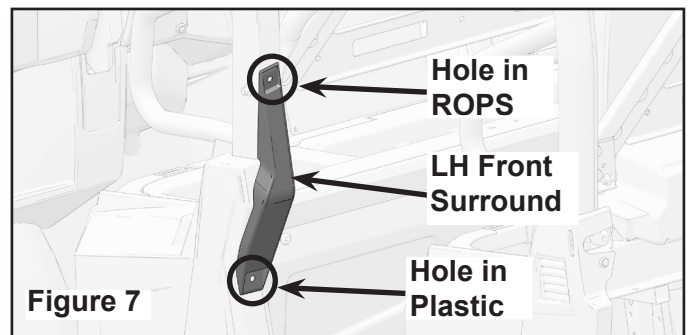
8. Remove the push dart from mid fender as shown in Figure 5.



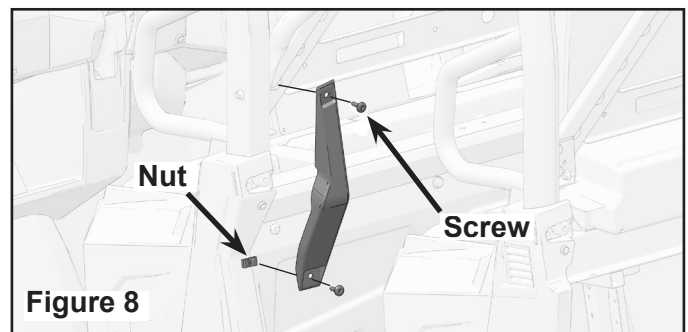
9. Align and insert boss of front surround to the hole of mid fender as shown in Figure 6.



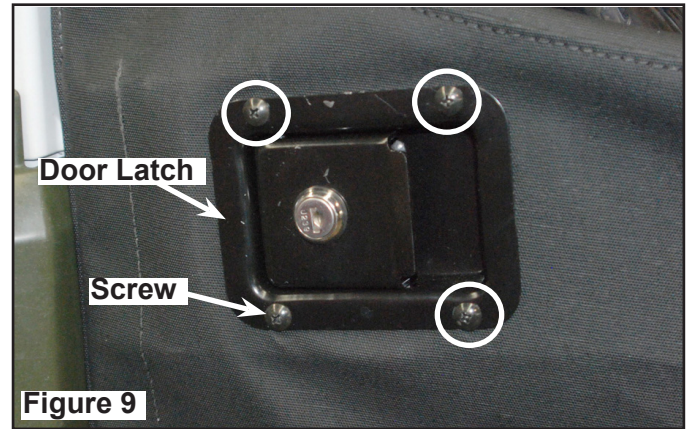
10. Using the front surrounds as template, mark the holes on LH side. Drill upper hole (if not provided) on ROPS at premarked area using drill bit size $9/32$ " or "L". Drill lower hole at premarked area on plastic to size $5/16$ ". See Figure 7.



11. Install the front surround by fastening two screws and relevant nuts. LH side is shown in Figure 8. Install RH side surround following Steps 8 and 9.



12. Install hinges and door latch on door. Do not tighten fasteners at this time. See Figure 9.



13. Adjust and mount the door onto hinges. Figure 10.

14. Adjust the door latch with the striker pin and ensure door is locking properly.

15. Torque all the M8 screws to 16 ft-lbs.(21.7 Nm) and M12 nut to 54 ft. lbs.(73.2 Nm).

16. Repeat Step 2 to Step 13 to install the passenger side door.

