

REAR DOOR LINER KIT



P/N 2882197

APPLICATION

Verify accessory fitment at Polaris.com.

BEFORE YOU BEGIN

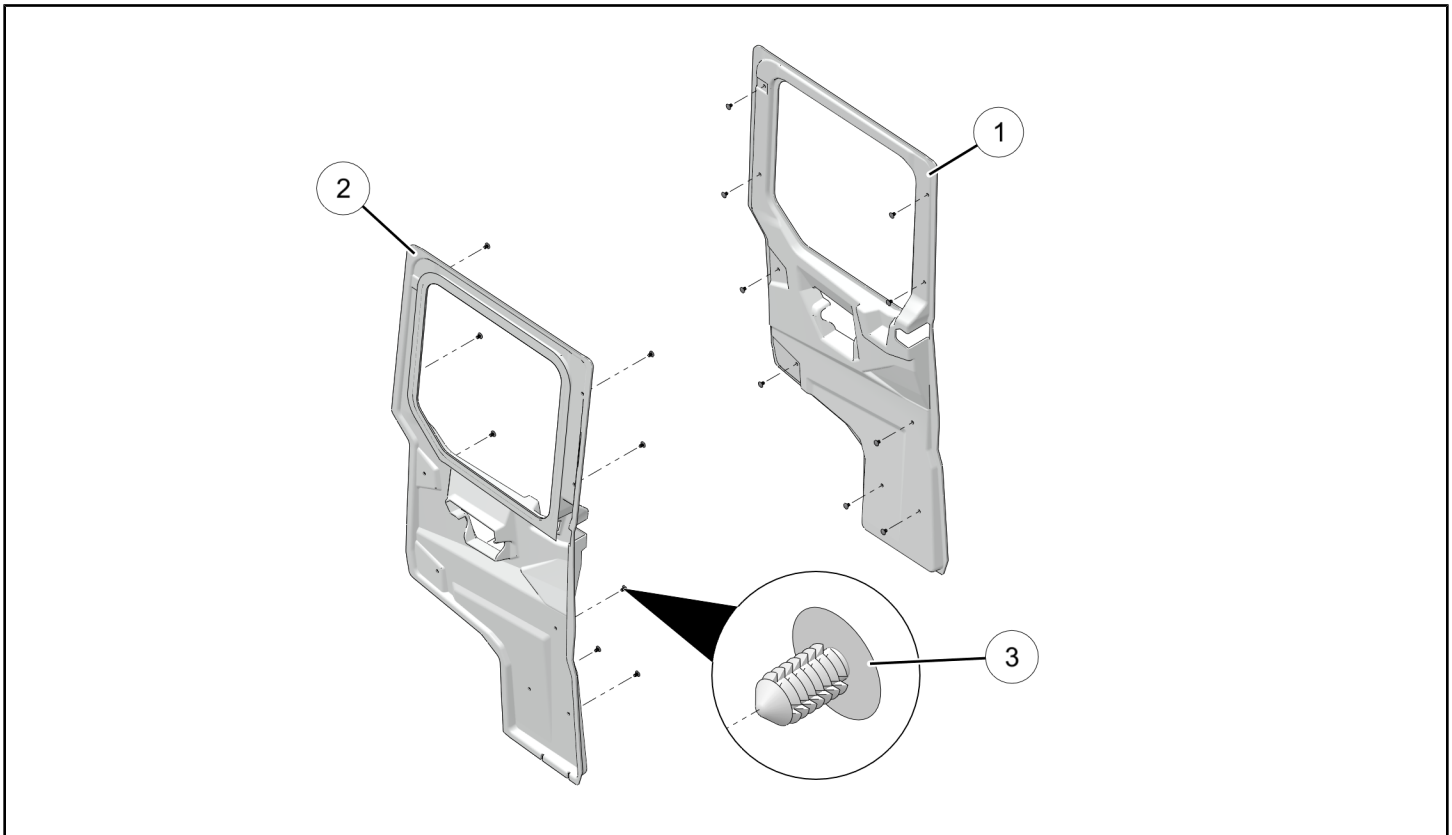
Read these instructions and check to be sure all parts and tools are accounted for. Please retain these installation instructions for future reference and parts ordering information.

KIT CONTENTS

This kit contains parts for installation of the Rear Door Liner Kit only. Prior installation of one of the following additional kits is also required (sold separately):

- Crew Poly Rear Doors, PN 2879641
- Crew Camo Rear Doors, PN 2880641

This Kit includes:



REF	QTY	PART DESCRIPTION	PART NUMBER
1	1	Door Liner, LH	5814478
2	1	Door Liner, RH	5814479
3*	18	Push Dart, Plastic	7670088
	1	Instructions	9927357

Items marked (*) are included in Hardware Kit PN 2206460.

TOOLS REQUIRED

- Safety Glasses

IMPORTANT

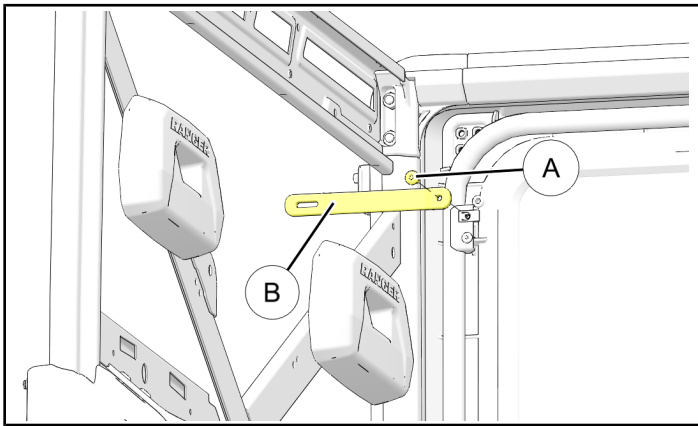
Your Rear Door Liner Kit is exclusively designed for your vehicle. Please read the installation instructions thoroughly before beginning. Installation is easier if the vehicle is clean and free of debris. For your safety, and to ensure a satisfactory installation, perform all installation steps correctly in the sequence shown.

ASSEMBLY TIME

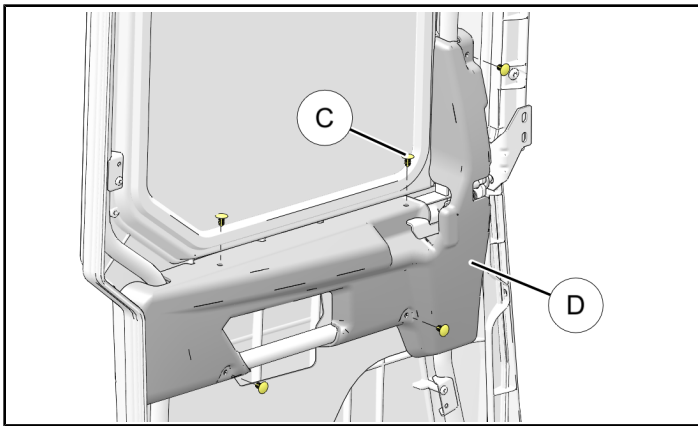
Approximately 20 minutes

INSTALLATION INSTRUCTIONS

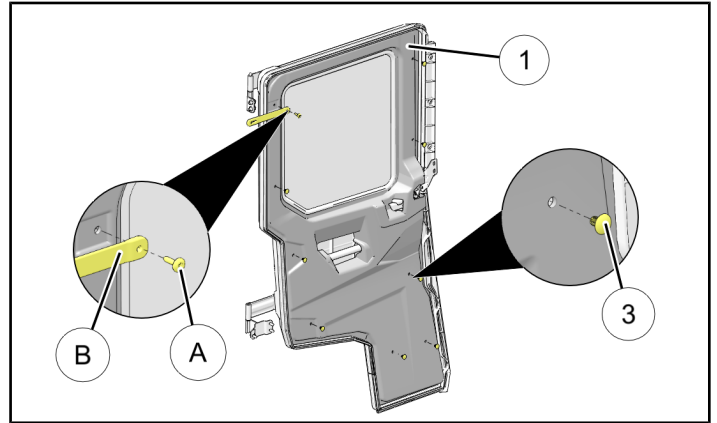
1. Shift vehicle transmission into "PARK". Turn key to "OFF" position and remove from vehicle.
2. Remove screw (A) and strap (B) as shown. Retain screw and strap.



3. Remove five push darts (C) and interior panel (D) as shown. Darts and panel will not be reused.



4. Install door liner ① using eight push darts ③ as shown. Do not install push dart in upper rear corner of door.



5. Reinstall strap (B) in upper rear corner of door using retained screw (A) as shown.
6. Repeat Steps 2–5 for RH door using door liner ②.