

RZN Y-LIGHT HARNESS KIT

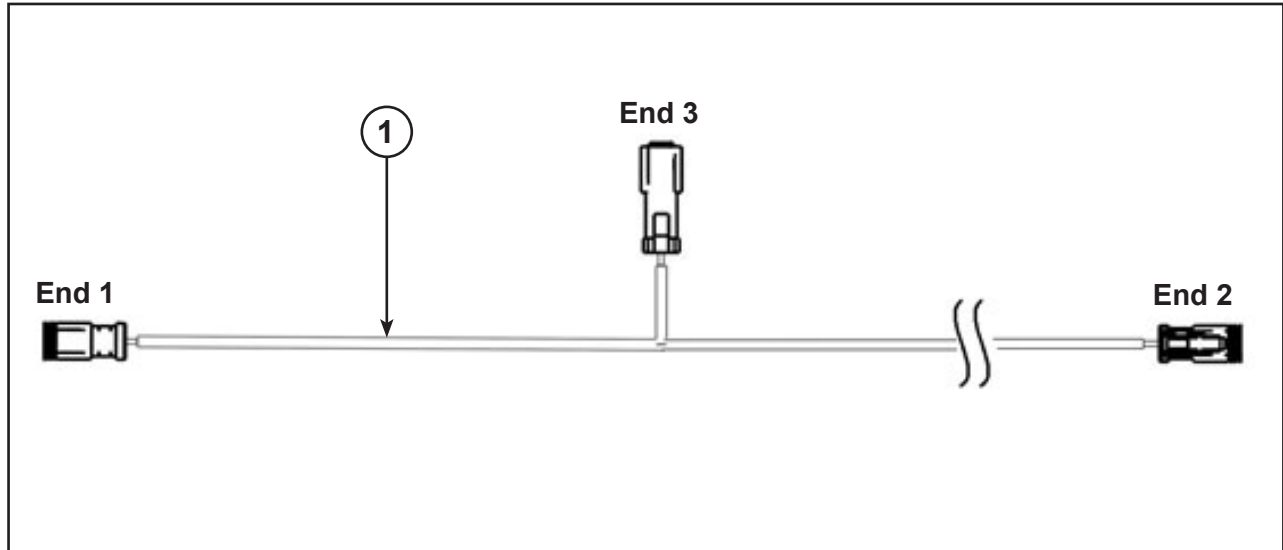
P/N 2879860



Application

RZR XP 1000

Before you begin, read these instructions twice and check to be sure all parts and tools are accounted for. Please retain these installation instructions for future reference and parts ordering information.



Kit Contents:

<u>Ref</u>	<u>Qty</u>	<u>Part Description</u>	<u>Part Number</u>
1	1	Harness-LED, 2" Y	2412609
2	4	Panduit Strap, 11"	7080492
	1	Instructions	9924594

IMPORTANT: Your Polaris RZR XP 1000 RZN Y-LIGHT HARNESS is exclusively designed for your vehicle. Please read the installation instructions thoroughly before beginning. Installation is easier if the vehicle is clean and free of debris. For your safety and to ensure a satisfactory installation, perform all installation steps correctly and in the sequence shown.

Additional Items Required:

The kit numbers below may have been purchased with other accessories.

1. (PN 2879859) Light Harness Kit (This harness kit only works for one light bar) or (PN 2879865) Deluxe Harness Kit (This harness kit only works for two light bars and radio).
2. (PN 2879443) Aluminum Roof or (PN 2879442) Poly Roof.
3. (PN 2879449) Front Bumper.

Tools Required:

Safety Goggles

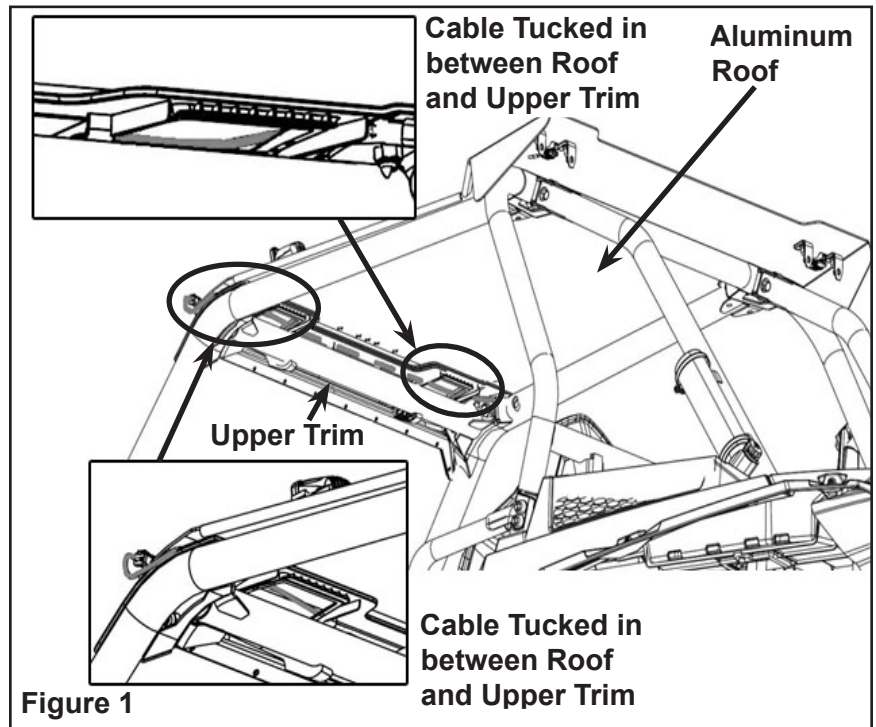
T40 Torx drivers

APPROXIMATE ASSEMBLY TIME: 10 minutes

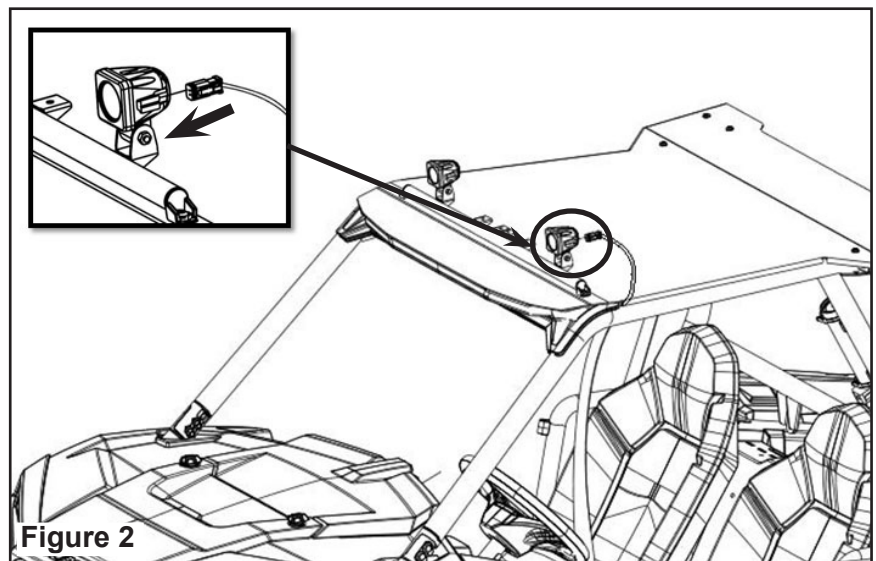
INSTALLATION INSTRUCTIONS FOR Y - LIGHT HARNESS:

1. Route the 2" Y LED harness (PN 2412609) between aluminum/ poly roof and upper trim. Figure 1.

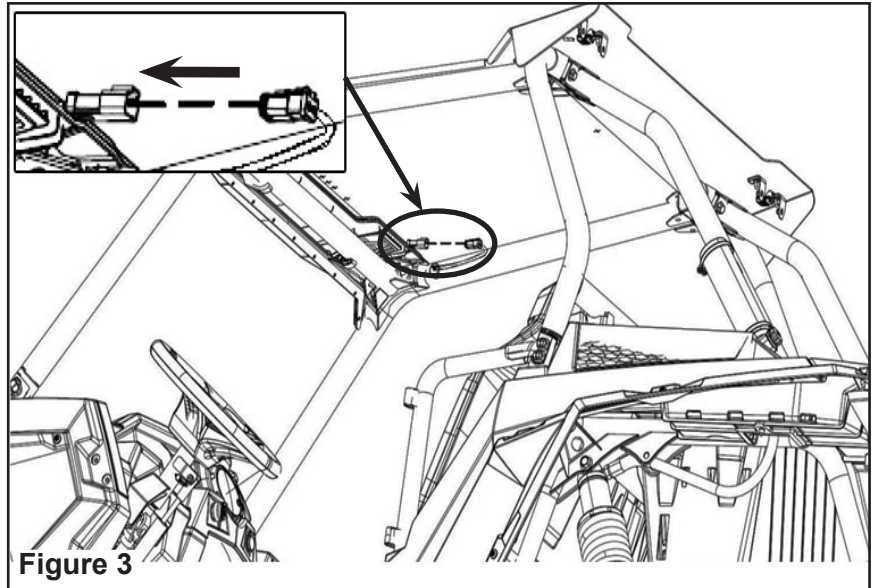
NOTE: Use supplied panduit straps to secure the wire routing.



2. Connect End 1 and End 2 to the corresponding light connectors. Figure 2.



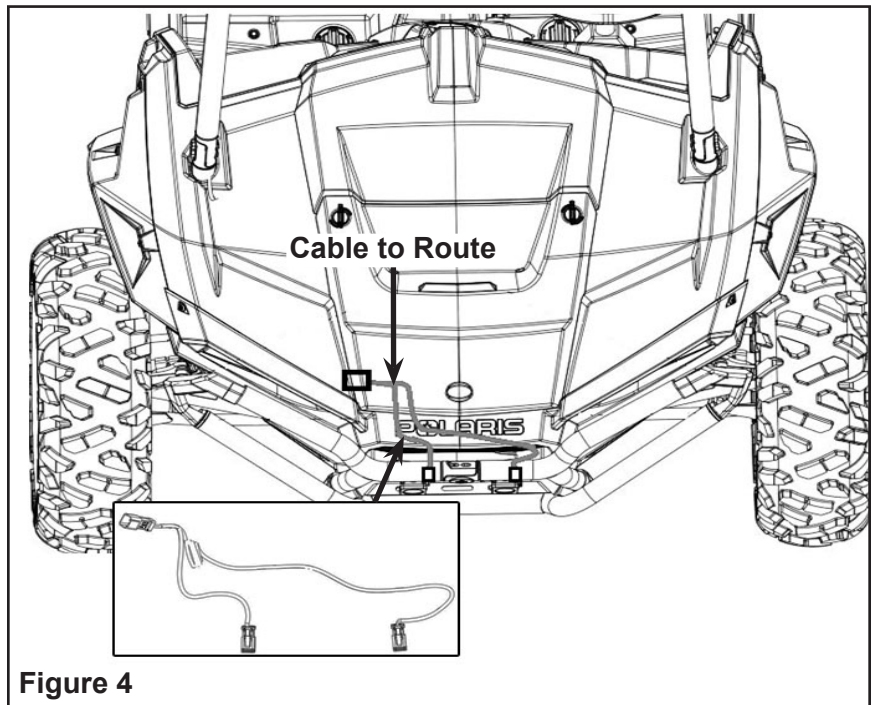
3. Connect the Y-light harness connector (End 3) to deluxe harness (PN 2879865) or on light harness (PN 2879859). Figure 3.



INSTALLATION INSTRUCTIONS FOR LIGHTS ON BUMPER:

NOTE: You must have an additional (PN 2879859) light harness kit.

1. Route the 2" Y LED harness (PN 2412609). Figure 4.



2. Connect the End 1 and End 2 of Y-light harness (PN 2412609) to the light connectors. Figure 5.
3. Connect End 3 to light harness (2879859) of light harness kit.
4. Use supplied panduit straps to secure the wire routing.

