



## LOCK & RIDE GUN SCABBARD KIT PN 2878001

### Application :

Polaris Sportsman XP Touring

Before you begin, read these instructions and check to be sure all parts and tools are accounted for. Please retain these installation instructions for future reference and parts ordering information.

### The contents of this kit include :

Ref.	Qty	Part Description
①	.....2	.....Expansion Anchor
②	.....1	.....Gun Scabbard
③	.....1	.....Safety Tie-Down

Ref.	Qty	Part Description
④	.....1	.....M6-1.0 X 50mm Hex Bolt
⑤	.....1	.....M6 Flat Washer
⑥	.....1	.....M6-1.0 Nylock Nut

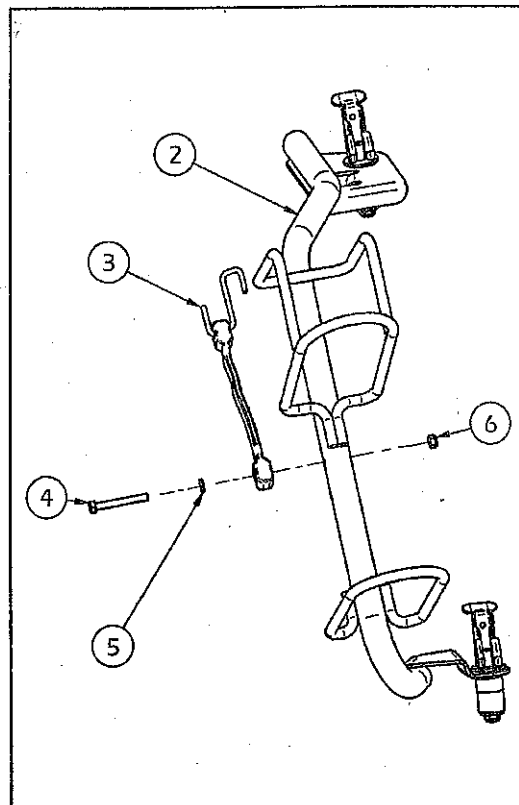
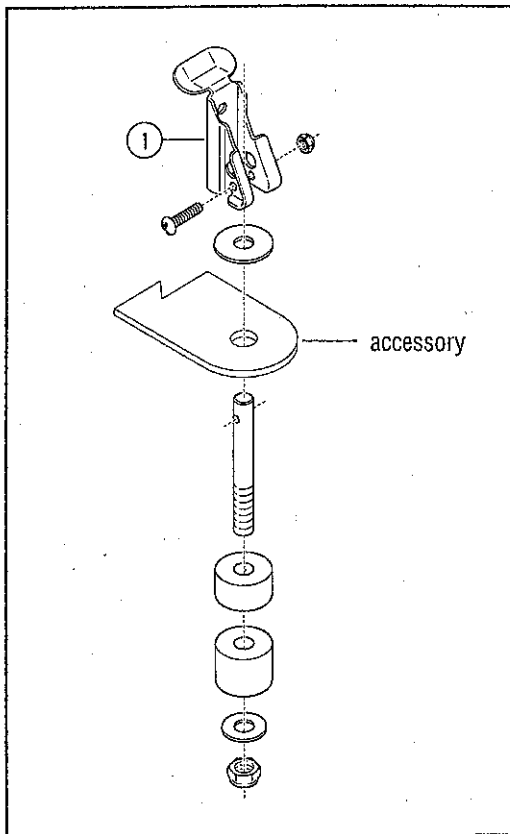
Tools Required : 7mm, 10mm, and 13mm Open-end Wrenches and Sockets, No.2 Phillips Screwdriver

**IMPORTANT :** Your Polaris accessory is exclusively designed for your vehicle. Please read the installation instructions thoroughly before beginning. Installation of any item is easier if the vehicle is clean and free of debris.

Approximate Installation Time : 15 minutes

## INSTALLATION INSTRUCTIONS

1. Assemble the (2) anchors ① onto the ends of the gun scabbard ② (see the instruction included with the expansion anchor).
2. Fasten the safety tie-down ③ onto the gun scabbard ② using a M6-1.0 X 50mm hex bolt ④, a M6 flat washer ⑤, and a M6-1.0 nylock nut ⑥. Make sure to assemble it as illustrated.





**LOCK & RIDE GUN SCABBARD  
KIT PN 2878001**

3. Fasten the ends of the gun scabbard ② onto the vehicle using the anchors ①.  
Make adjustments as necessary (see the instruction included with the expansion anchor).
4. Slide and secure the gun case with the safety tie-down ③.

