

FRONT RACK KIT

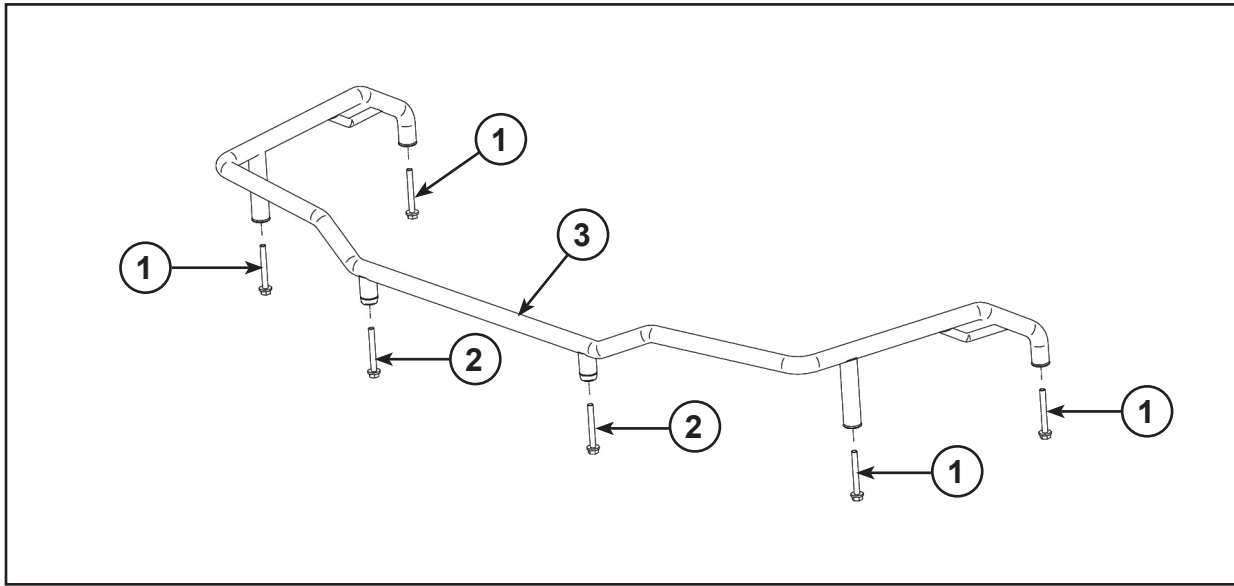
P/N 2879890



Application

**ALL 2009 AND NEWER SPORTSMAN XP 550/850 MODELS
EXCEPT MODELS WITH FRONT CARGO BOX**

Before you begin, read these instructions twice and check to be sure all parts and tools are accounted for. The following instructions contain details required to install the contents of this kit and it should be used as a supplement to the winch installation instructions.



Kit Contents:

<u>Ref</u>	<u>Qty</u>	<u>Part Description</u>	<u>Part Number</u>
1	4*	M6 x 50 mm Torx Flange Hex. Head Machine Screw	-
2	2*	M6 x 60 mm Torx Flange Hex. Head Machine Screw	-
3	1	Front Welded Rack Extender	-
	1	Instructions	9925011

Items marked (*) are included in Hardware Kit PN 2205227.

Tools Required:

10 mm Standard Wrench or Socket

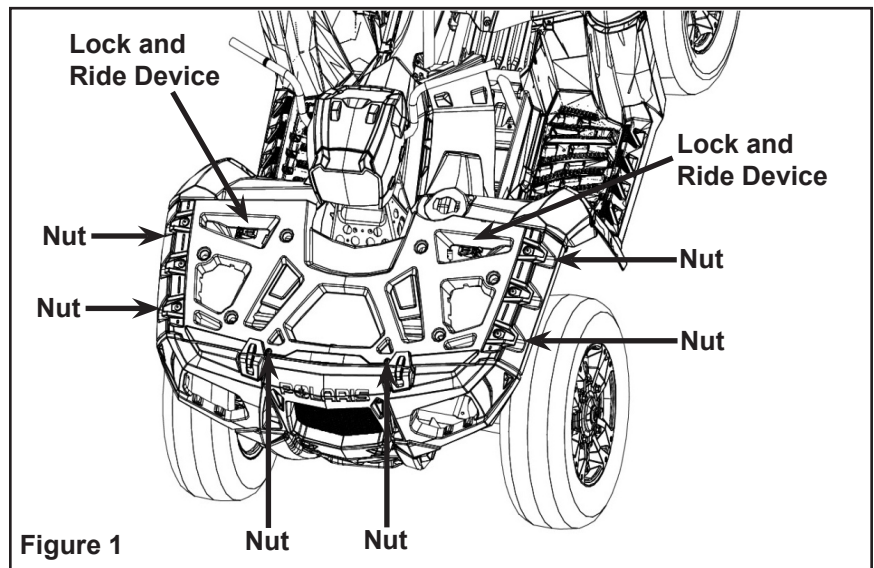
Torx 30 Socket

APPROXIMATE ASSEMBLY TIME: 10 minutes

IMPORTANT: Your Polaris accessory is exclusively designed for your vehicle. Before beginning, please read these instructions and make sure that all parts and tools are at your disposal. Keep these instructions for future reference or for any information requests. To facilitate installation, make sure that your vehicle is clean and free of debris.

INSTALLATION INSTRUCTIONS:

1. Remove the original rack using “Lock and Ride” devices as shown in Figure 1, in order to have access to the screws and nuts.
2. Remove and discard the six screws and the six nuts.



3. Place the front rack extender using the four M6 x 50 mm machine screws and the two M6 x 60 mm machine screws provided with the kit (screw the first threads only). Figure 2.
4. Tighten all screws.
5. Reinstall the original rack and tighten the “Lock and Ride” devices shown in Step 1.

