

SINGLE ACCENT LIGHT KIT



P/N 2880532, 2880533, 2881176, 2882379

APPLICATION

Verify accessory fitment at Polaris.com.

BEFORE YOU BEGIN

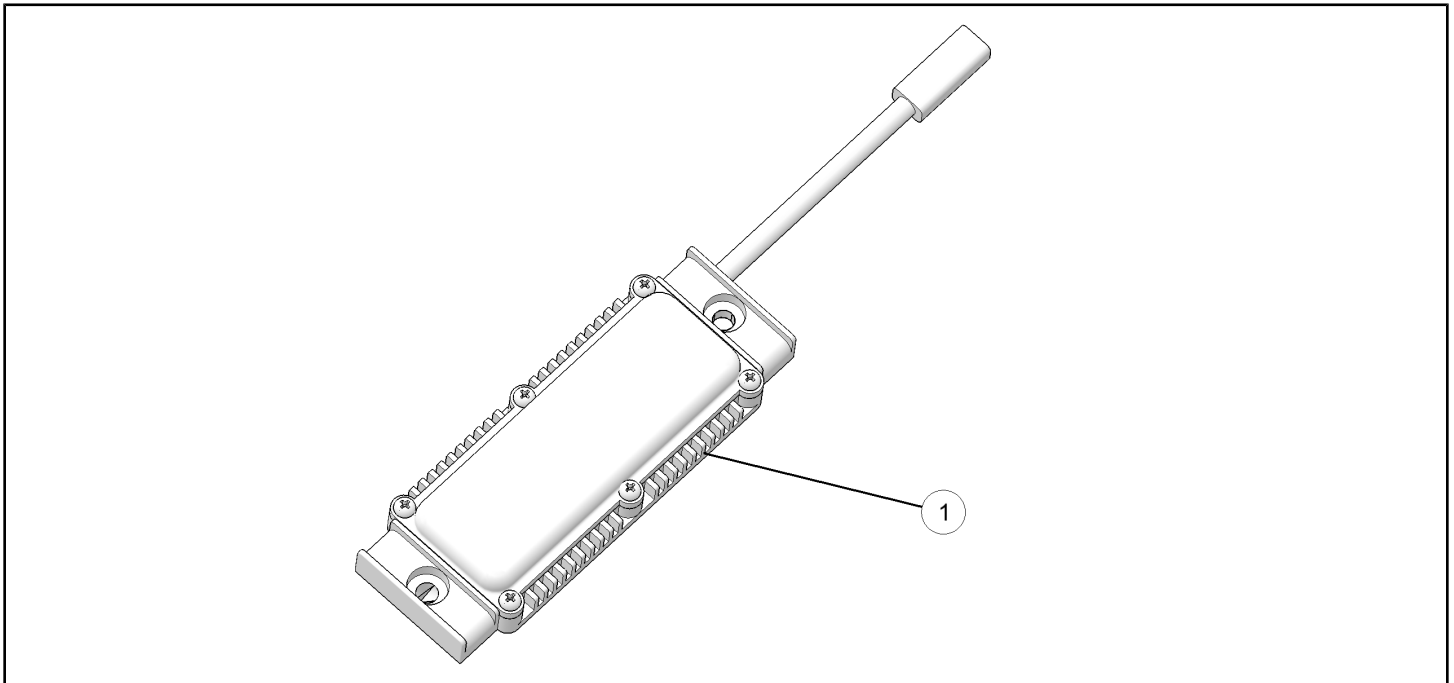
Read these instructions and check to be sure all parts and tools are accounted for. Please retain these installation instructions for future reference and parts ordering information.

KIT CONTENTS

This kit contains parts for installation of a single add-on accent light only. Prior installation of one of the following Accent Light Kits is also required (sold separately):

- PN 2880500 (Red)
- PN 2880506 (Blue)
- PN 2881119 (White)
- PN 2882378 (Green)

This Kit includes:



REF	QTY	PART DESCRIPTION	PART NUMBER
1	1	Accent Light, Add-On	-
2	5	Cable Tie (not shown)	-
	1	Instructions	9925447

TOOLS REQUIRED

- Safety Glasses
- Pliers, Push Pin
- Pliers, Side Cutting
- Screwdriver Set, Torx®
- Wrench Set, Metric

IMPORTANT

Your SINGLE ACCENT LIGHT KIT is exclusively designed for your vehicle. Please read the installation instructions thoroughly before beginning. Installation is easier if the vehicle is clean and free of debris. For your safety, and to ensure a satisfactory installation, perform all installation steps correctly in the sequence shown.

ASSEMBLY TIME

Approximately 15 minutes

INSTALLATION INSTRUCTIONS

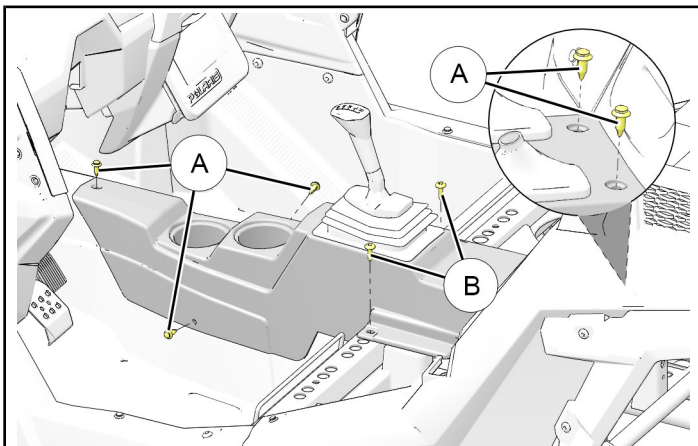
NOTE

Add-on accent lights are intended to be installed in locations similar to those in Accent Light Kit PNs 2880500 (red), 2880506 (blue), 2881119 (white), or 2882378 (green). Suggested locations shown.

1. Shift vehicle transmission into "PARK". Turn key to "OFF" position and remove from vehicle.
2. Remove driver's (or left rear passenger) seat and disconnect black negative (-) cable from battery.
3. Gain access.
 - a. Remove hood.
 - b. Remove center floor console.

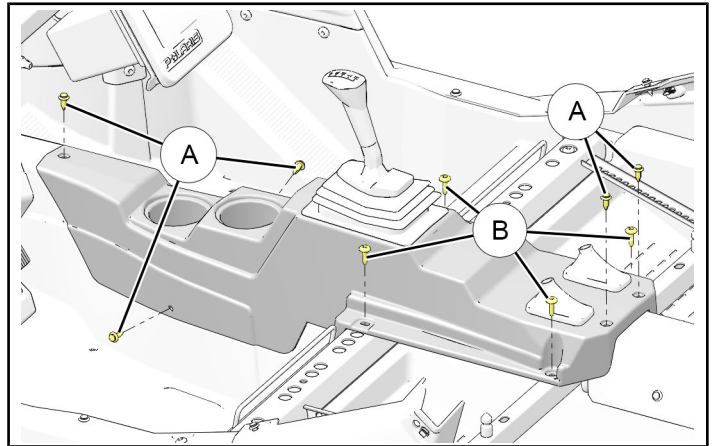
TWO PASSENGER VEHICLES

Remove five push pin rivets **A** and two screws **B** as shown. Remove center console, pushing boots for gear shift and seat belt through console openings. Retain rivets and screws.

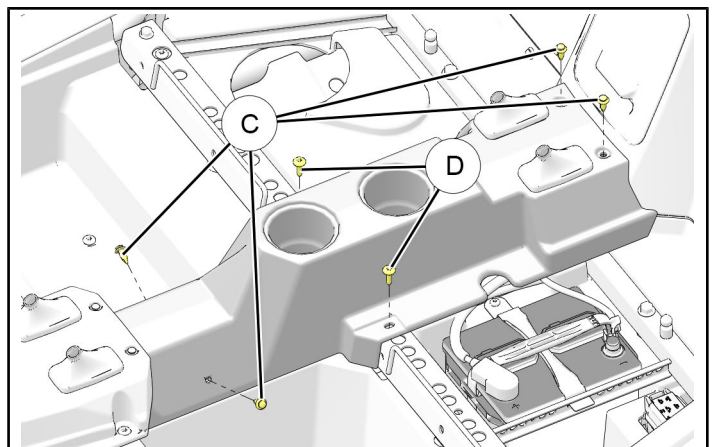


FOUR PASSENGER VEHICLES

- i. Remove five push pin rivets **A** and four screws **B** from front floor console as shown. Remove console, pushing boots for gear shift and seat belt through console openings. Retain rivets and screws.



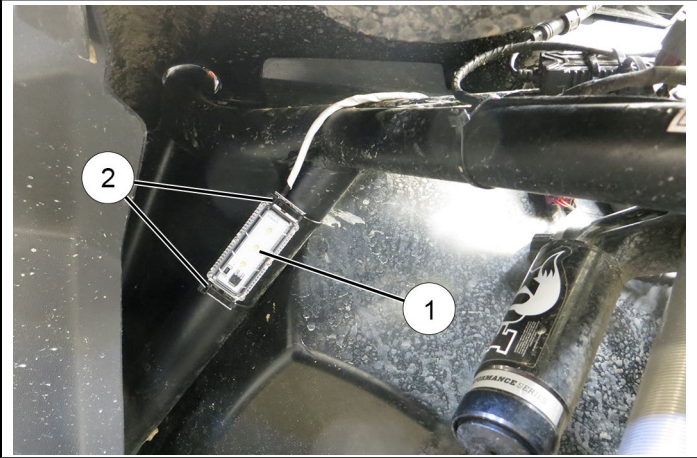
- ii. Remove four push pin rivets **C** and two screws **D** from rear floor console as shown. Remove console, pushing boots for gear shift and seat belt through console openings. Retain rivets and screws.



- 4. Install FRONT light(s).
 - a. Install accent light ① to vehicle frame using one cable tie ② at each end of light.

NOTE

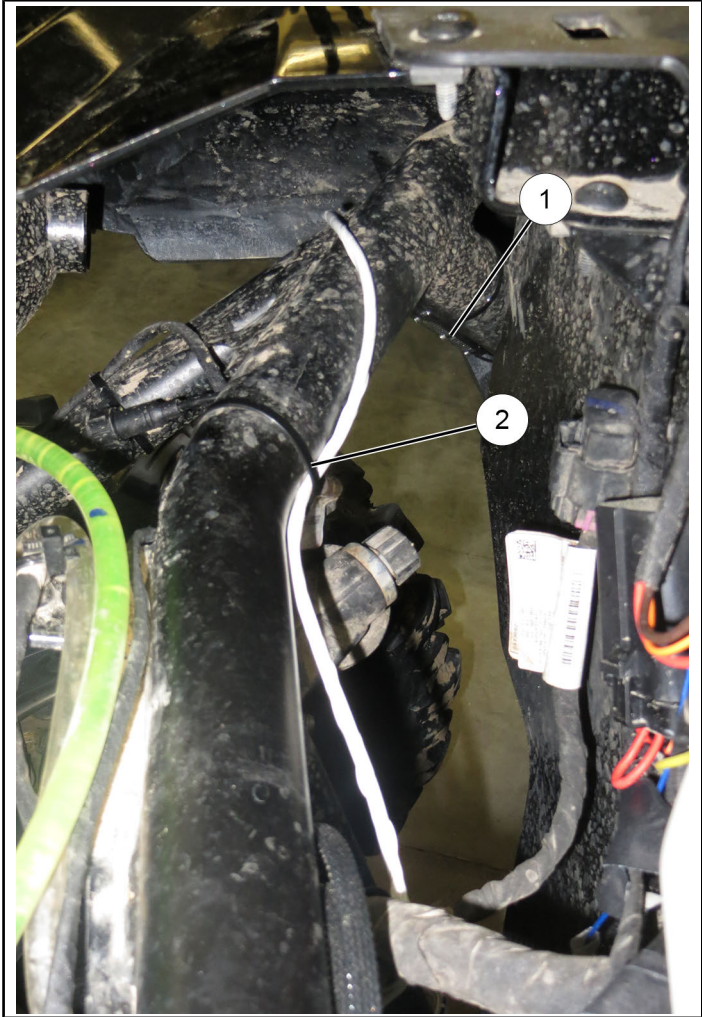
View looking rearward from RH wheel well.
RZR® 900/S 900/S 1000 shown; RZR XP® 1000/
Turbo similar.



- b. Route light harness inboard along frame cross-member to vehicle centerline.

NOTE

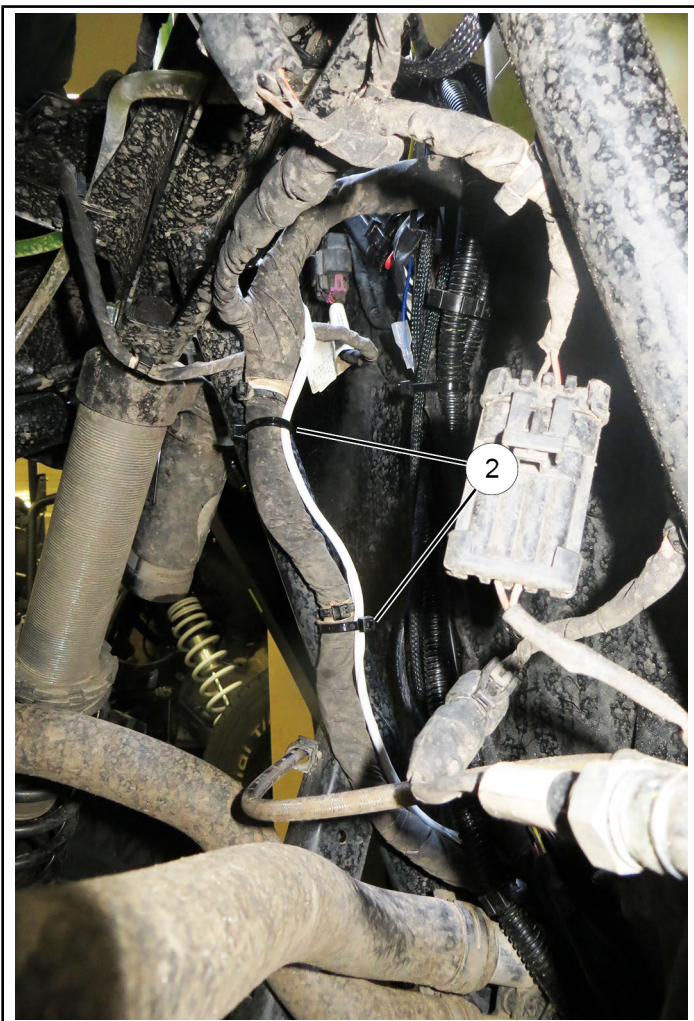
View looking towards RH side of vehicle from under-hood compartment.



- c. Route light harness down forward side of firewall and into center console following main vehicle harness.

NOTE

View looking inboard from LH wheel well.



- d. Exit center console near accent light electrical box (sold separately), then route light harness to box.
- e. Repeat Steps a. through d. for opposite side of vehicle.
- f. Secure harnesses as previously shown using cable ties ② to prevent contact with hot components, sharp edges, or moving parts.
Coil and secure excess harness length beneath seat at accent light electrical box.

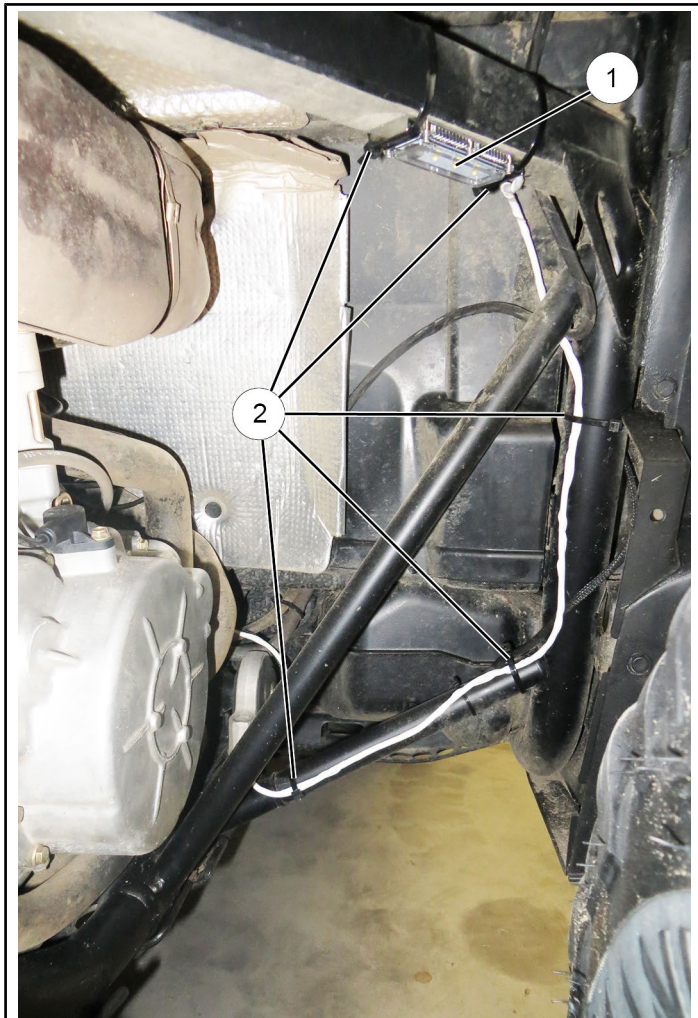
- 5. Install REAR light(s).

RZR® 900/S 900/S 1000

- a. Install accent light ① to vehicle frame using one cable tie ② at each end of light.

NOTE

View looking forward from RH wheel well.



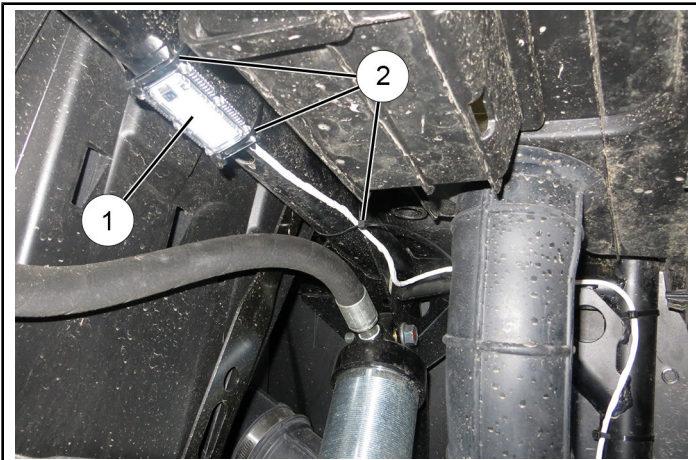
- b. Route light harness down and inboard to vehicle centerline as previously shown, then follow main vehicle harness forward through center console.
- c. Exit center console near accent light electrical box (sold separately), then route light harness to box.
- d. Repeat Steps a. through c. for opposite side.
- e. Secure harnesses as previously shown using cable ties ② to prevent contact with hot components, sharp edges, or moving parts.
Coil and secure excess harness length beneath seat at accent light electrical box.

RZR XP® 1000/Turbo

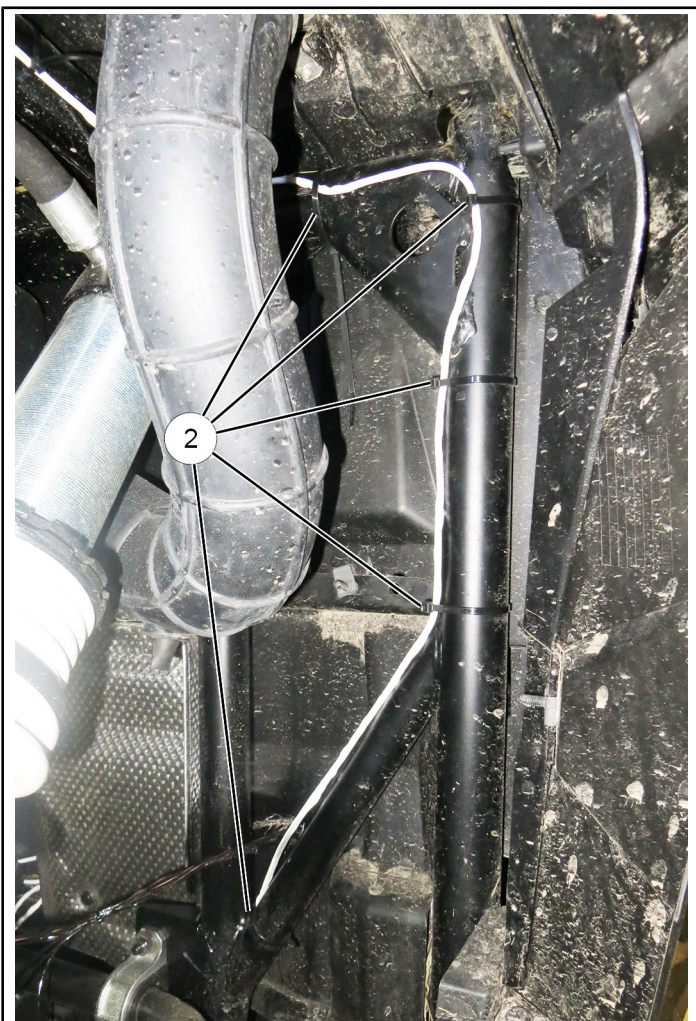
- a. Install accent light ① to vehicle frame using one cable tie ② at each end of light.

NOTE

View looking forward and upward from RH wheel well.



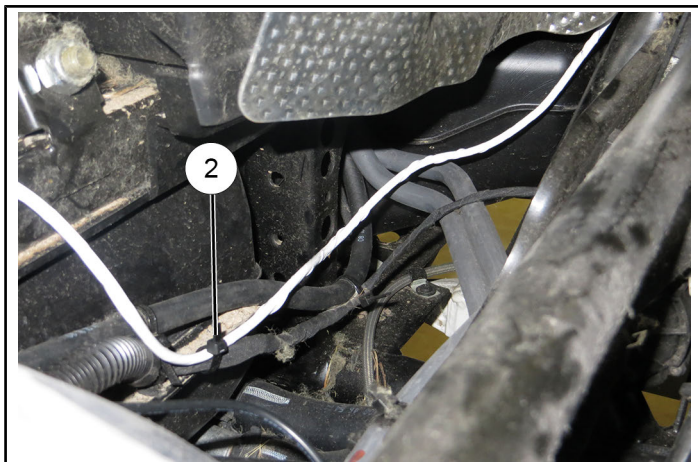
- b. Route light harness forward along frame, outboard around intake duct, then down along frame as shown.



- c. Route light harness inboard to vehicle centerline, then follow main vehicle harness forward through center console.

NOTE

View looking inboard from LH wheel well.



- d. Exit center console near accent light electrical box (sold separately), then route light harness to box.
 - e. Repeat Steps a. through d. for opposite side.
 - f. Secure harnesses as previously shown using cable ties ② to prevent contact with hot components, sharp edges, or moving parts.
Coil and secure excess harness length beneath seat at accent light electrical box.
6. Connect light harnesses to accent light electrical box (sold separately).

NOTE

Electrical box accommodates up to eight accent light connections.

7. Reconnect black negative (-) cable to battery and reinstall seat.
8. Restore access.