

# ROOF LIGHT BAR MOUNT KIT



P/N 2884650

---

## BEFORE YOU BEGIN

Read these instructions and check to be sure all parts and tools are accounted for. Please retain these installation instructions for future reference and parts ordering information.

## APPLICATION

Verify accessory fitment at [www.polaris.com](http://www.polaris.com).

## REQUIRED SOLD SEPARATELY

Only parts for installation of the Roof Light Bar Mount Kit are included. The following additional kits are also required (sold separately):

### ROOF KITS

- *Poly Roof Kit*, (See dealer or website for compatible kit)
- *Aluminum Roof Kit*, (See dealer or website for compatible kit)

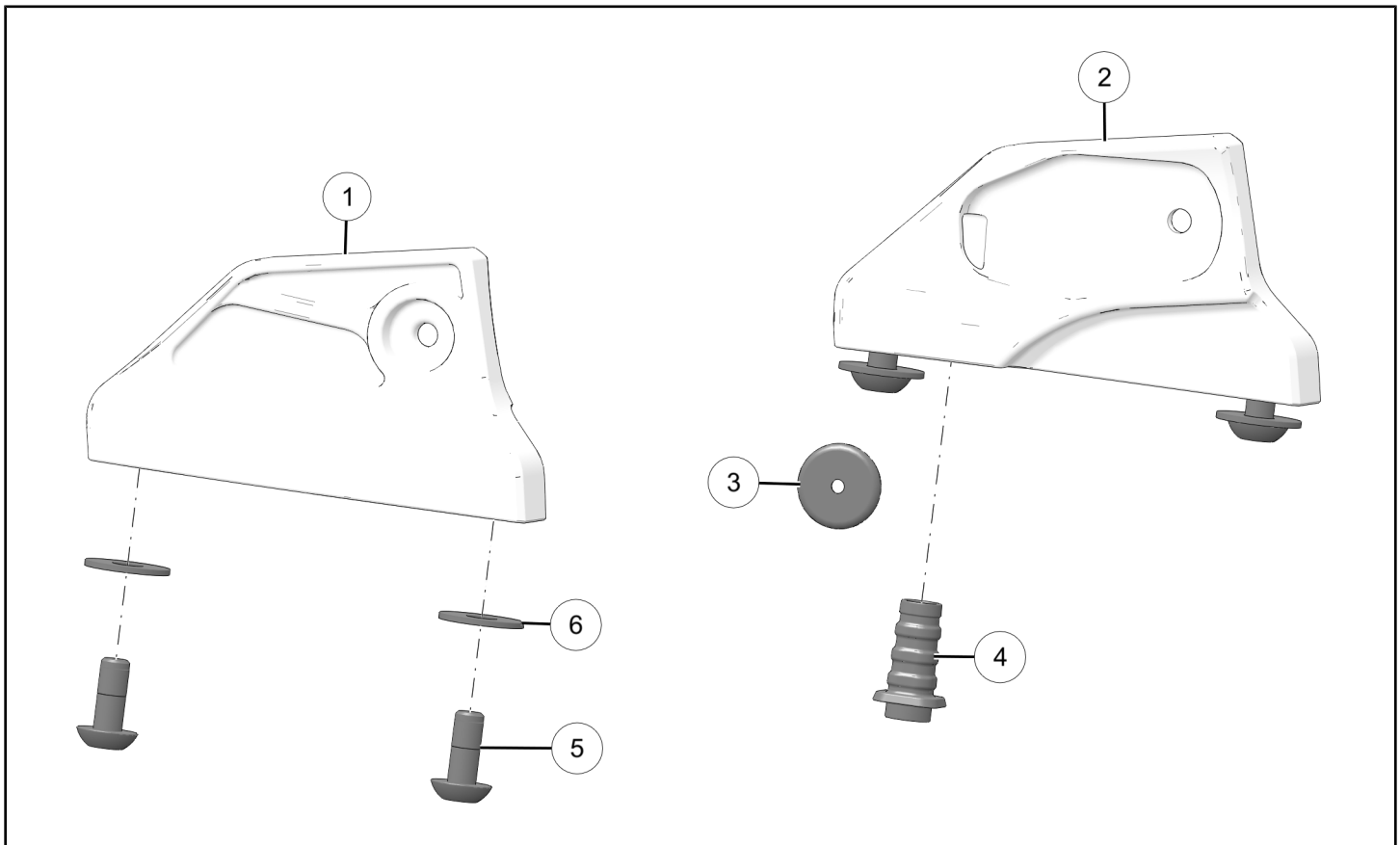
### LIGHT BAR

- *32 in Light Bar*, P/N 2884648

### HARNESS KIT

- *Light Bar Harness Kit*, (See dealer or website for compatible kit)

## KIT CONTENTS



REF	QTY	PART DESCRIPTION	P/N AVAILABLE SEPARATELY
1	1	Mount–Light Bar, Right-Hand	n/a
2	1	Mount–Light Bar, Left-Hand	n/a
3	1	Grommet–ROPS	n/a
4	2	Grommet–Light Bar Mount	5417416
5	4	Screw–Torx® Truss Head, M8 x 1.25 x 20 mm	7519997
6	4	Washer–8.4 x 24 x 2.0 mm	7556045

## TOOLS REQUIRED

- Safety Glasses
- Drill
- Drill Bit:
  - 3/8 in (9 mm)
  - 1/2 in (13 mm)
- Fish Tape (or equivalent)
- Pick and Hook Set
- Pliers, Needle Nose
- Pliers, Push Pin Rivet
- Ruler
- Socket Set, Metric
- Socket Set, Torx® Bit
- Tape Measure
- Torque Wrench

## CONSUMABLES REQUIRED

- Grease, Polaris® All Season (or equivalent)
- Tape, Electrical
- Tape, Masking

## IMPORTANT

Your Roof Light Bar Mount Kit is exclusively designed for your vehicle. Please read the installation instructions thoroughly before beginning. Installation is easier if the vehicle is clean and free of debris. For your safety, and to ensure a satisfactory installation, perform all installation steps correctly in the sequence shown.

## INSTALLATION INSTRUCTIONS

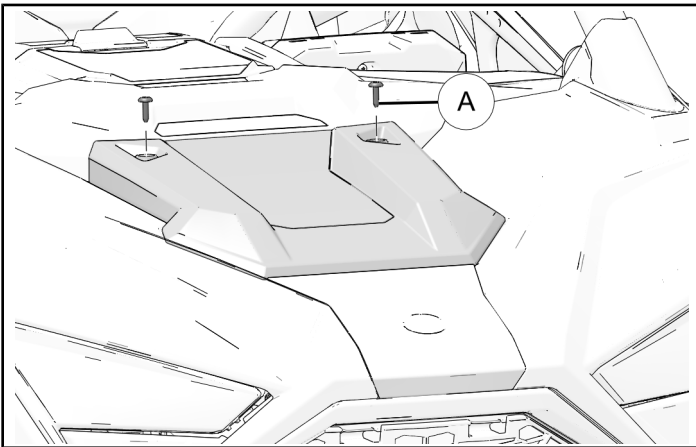
### VEHICLE PREPARATION

#### GENERAL

1. Shift vehicle transmission into PARK.
2. Turn ignition switch to OFF position and remove key.
3. Install *Light Bar Harness Kit* (sold separately) as per instructions.
4. **Roof-equipped vehicles:**  
Remove roof from vehicle and carefully set aside for light bar mounting preparation.

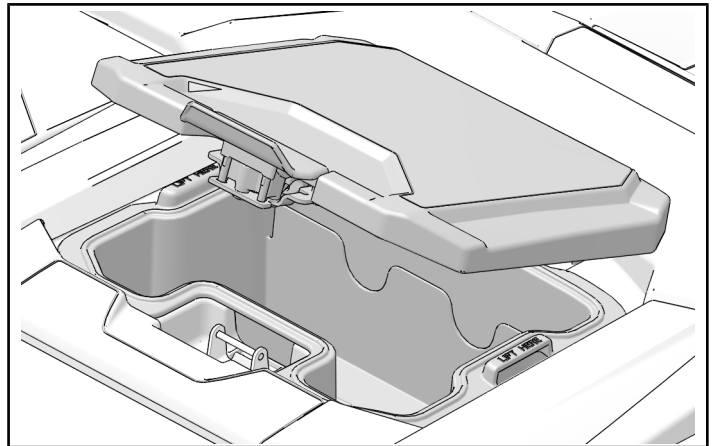
#### CENTER HOOD PANEL REMOVAL

1. Remove and retain two hood fasteners (A). Slide hood towards rear of vehicle to remove.



#### DASHBOARD STORAGE REMOVAL

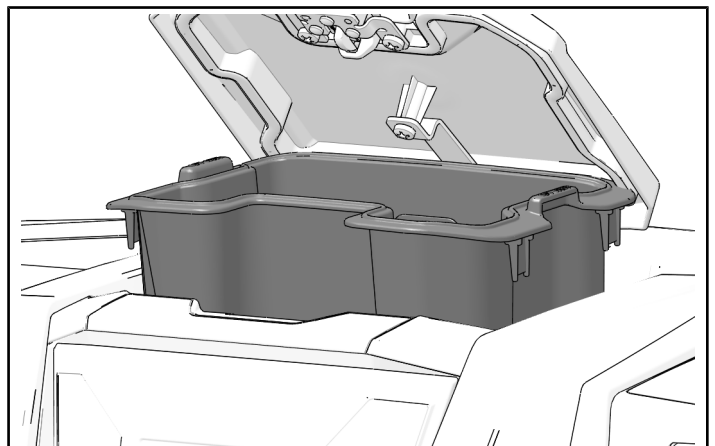
1. Open center dashboard storage compartment.



2. Remove storage compartment from dashboard.

#### TIP

If removing storage compartment is difficult, carefully use tool to pry storage compartment upwards where marked "LIFT HERE."

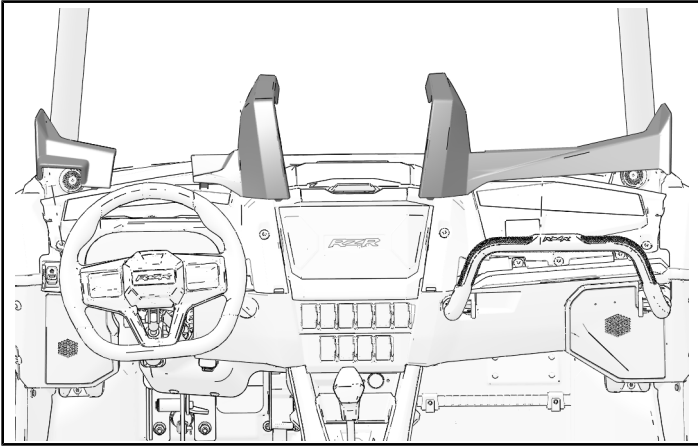


## DASHBOARD TOP REMOVAL

1. Carefully pull up to remove left, center, and right dashboard trim pieces.

### TIP

Release steering tilt lock for improved access.



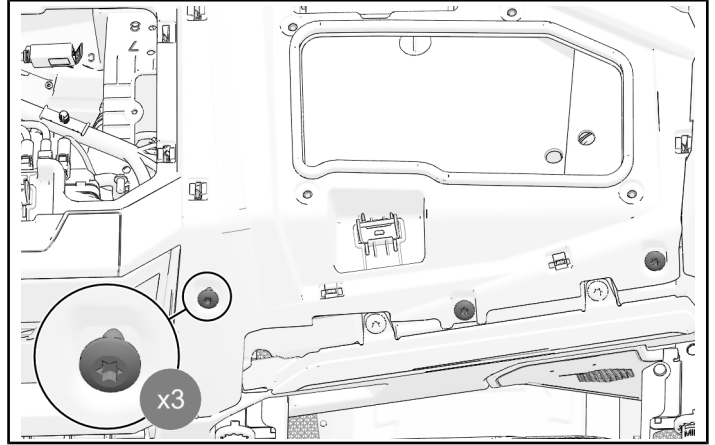
2. Open glove box lid. Remove and retain four dashboard fasteners around glove box opening.



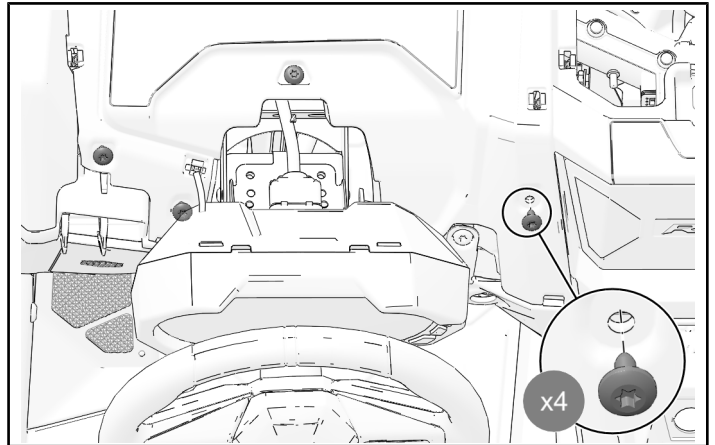
3. Remove and retain three front dashboard fasteners around glove box opening.

### TIP

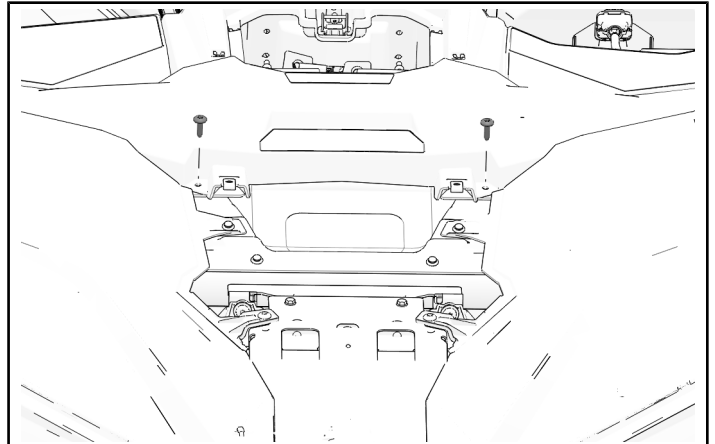
Make note of different screw sizes in steps 2 and 3.



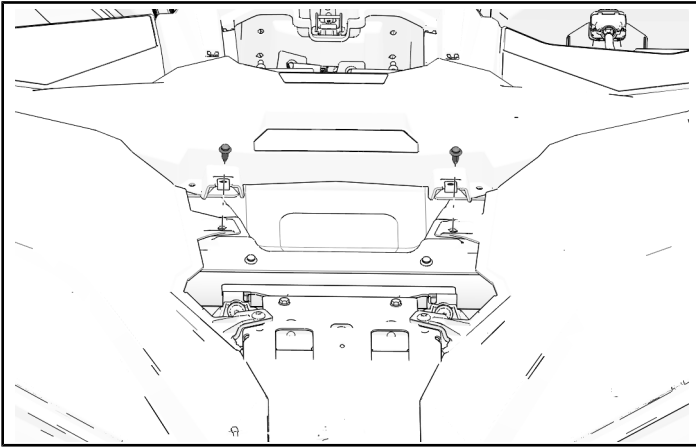
4. Tilt steering wheel down. Remove and retain four dashboard fasteners from dashboard surrounding steering wheel.



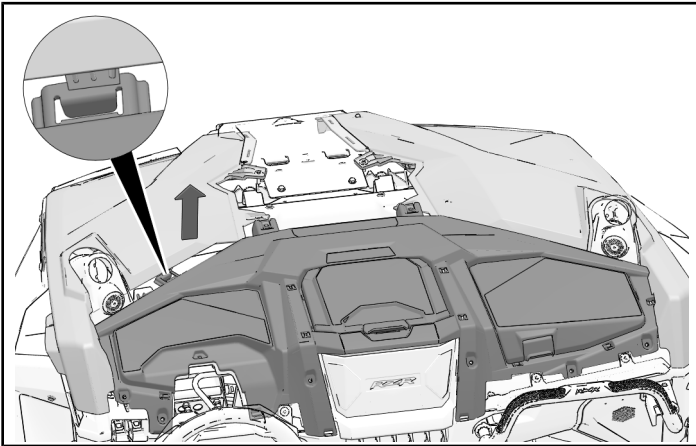
5. Remove and retain two dashboard fasteners from front of vehicle.



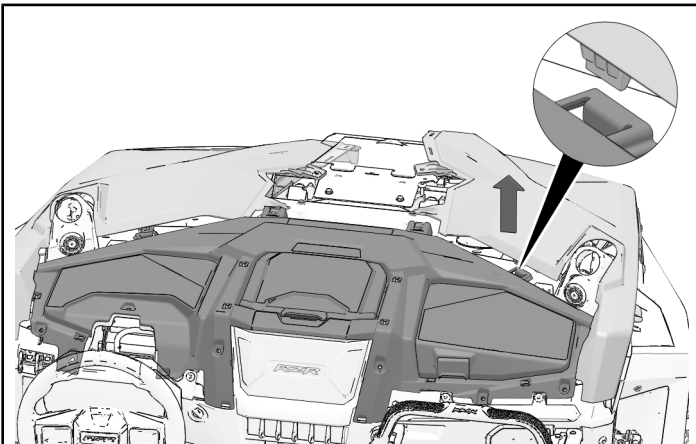
6. Remove and retain two push-pin rivets from front side hood panels.



7. Carefully lift edge of left front hood panel to release tab from dashboard top as shown.



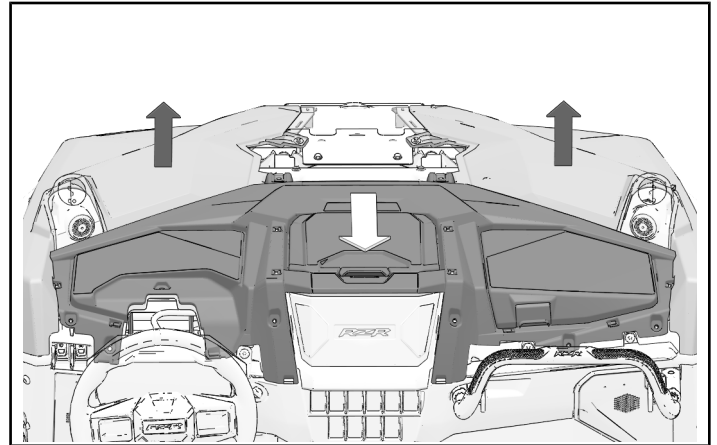
8. Carefully lift edge of right front hood panel to release tab from dashboard top as shown.



9. Carefully keep panels up-and-away from tabs and remove dashboard top by tilting rear section up and pulling out toward rear.

**TIP**

Two people are recommended to complete this step.

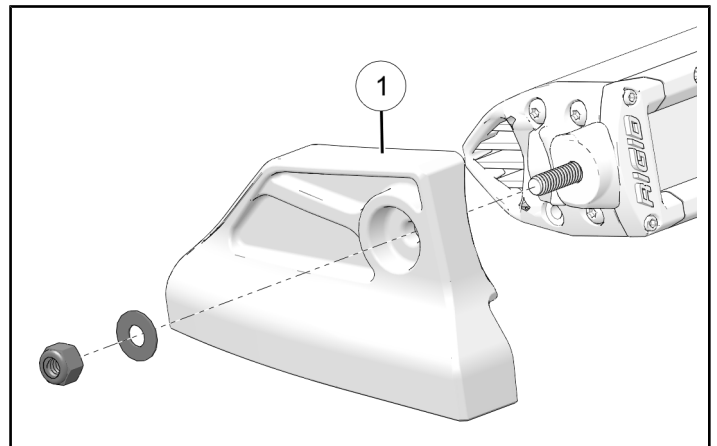


**ACCESSORY INSTALLATION**

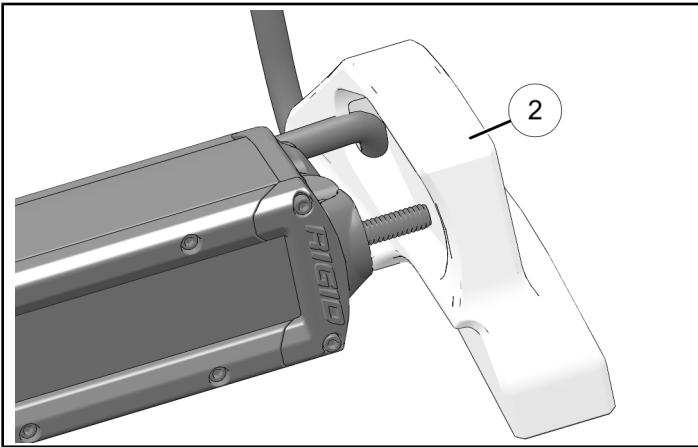
**LIGHT BAR ASSEMBLY**

1. Loosely install right light bar mount ① to light bar with one washer and nut, included with light bar.

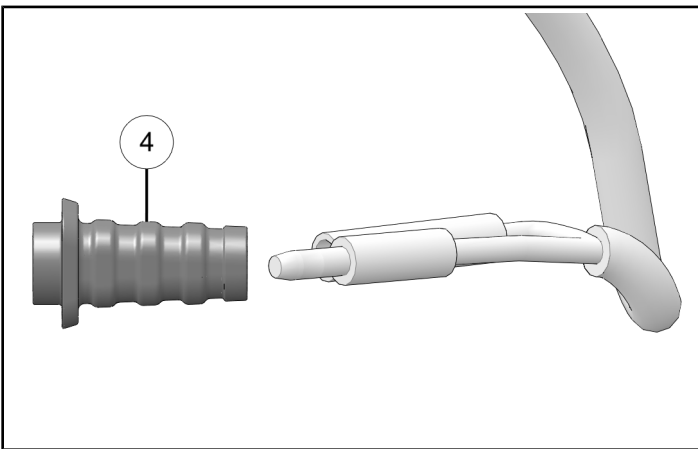
Do not torque fasteners at this time.



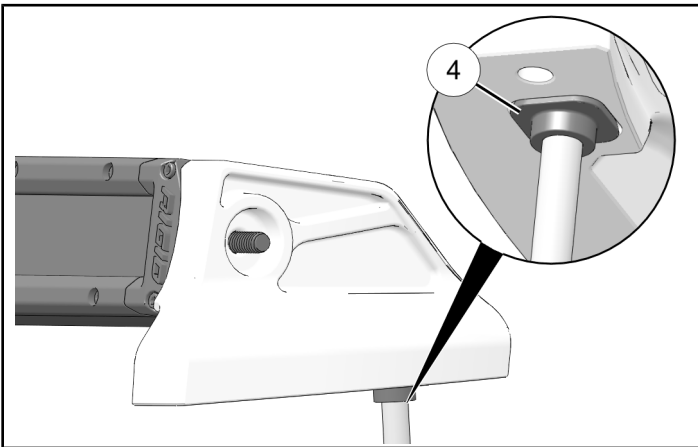
2. Feed wiring harness through left light bar mount ② and out bottom.



3. Pass harness through grommet ④.

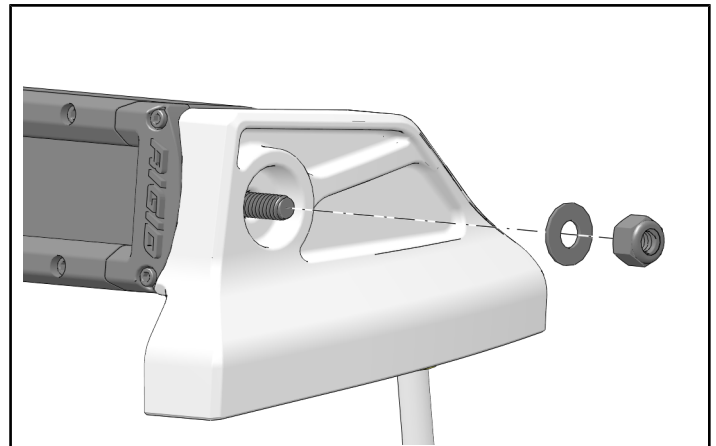


4. Install rubber grommet ④ into bottom of light bar mount.



5. Loosely install left light bar mount ③ to light bar with one washer and nut, included with light bar.

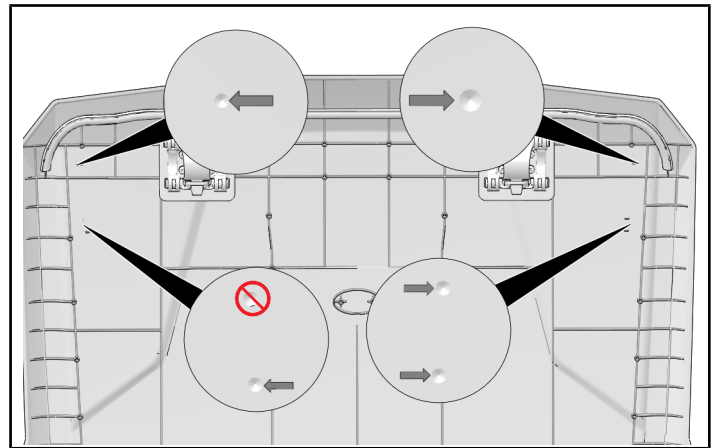
Do not tighten fasteners at this time.



### **ROOF PREPARATION**

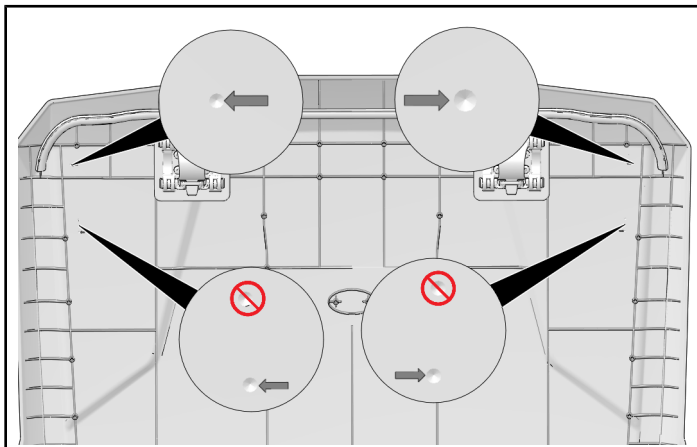
#### POLY ROOF PANEL (IF EQUIPPED)

1. Locate five dimples in underside of roof (shown with arrows).



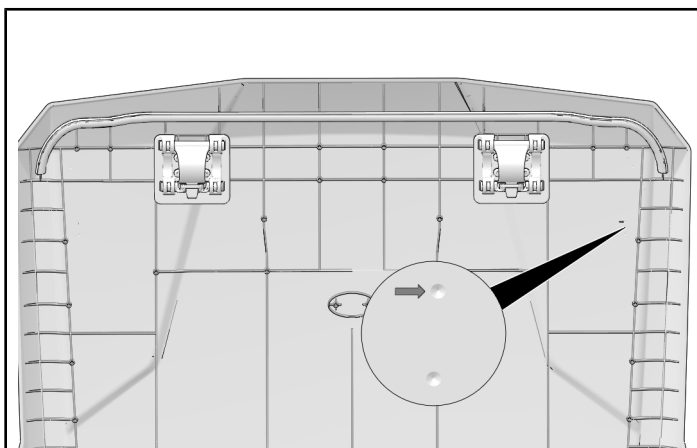
2. Drill four holes in outermost dimples as shown.

MEASUREMENT
Drill Bit Size: <b>3/8 in (9 mm)</b>



3. Drill one hole in driver side middle hole as shown.

MEASUREMENT
Drill Bit Size: <b>1/2 in (13 mm)</b>



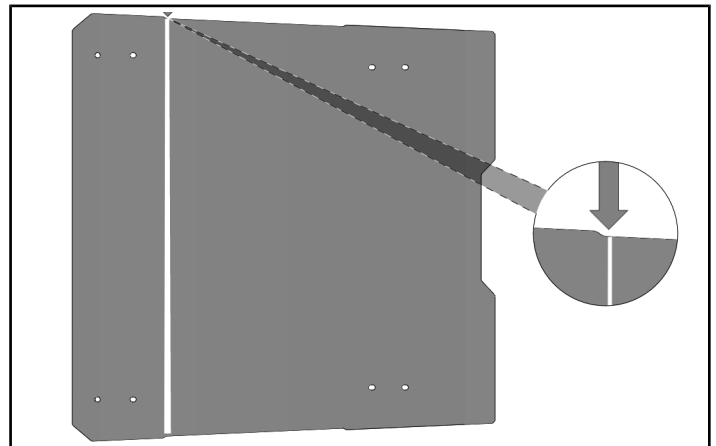
#### ALUMINUM ROOF PANEL (IF EQUIPPED)

1. Detach template page, located at the end of this instruction.
2. Locate REFERENCE DIMENSION on template page.

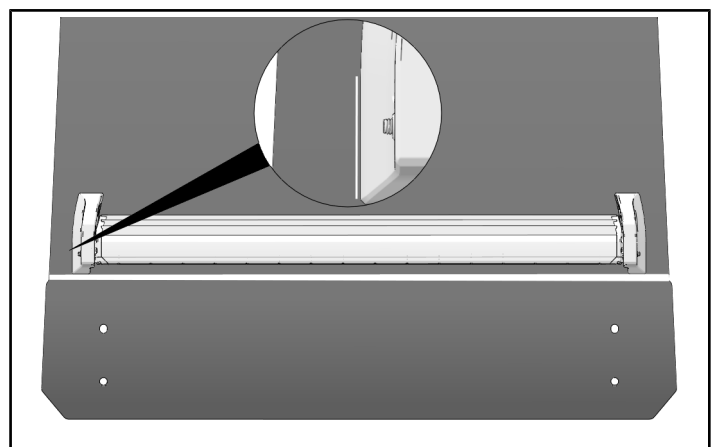
Verify REFERENCE DIMENSION is exact and template was properly printed to scale.

NOTICE
If REFERENCE DIMENSION is not exact, reprint template page from electronic file. Adjust print setting to <b>“Actual Size”</b> to obtain 1:1 scale. Electronic file available from your <b>Authorize Polaris® Dealer</b> .

3. Cut out each individual mount template.
4. Adhere masking tape (or equivalent) along front of roof, from indent to indent.



5. Align light bar along taped line. Center light bar assembly on roof and measure from bracket to roof edge to make sure each side is even. Mark roof along each outside edge of mounting brackets with a marker (or equivalent).

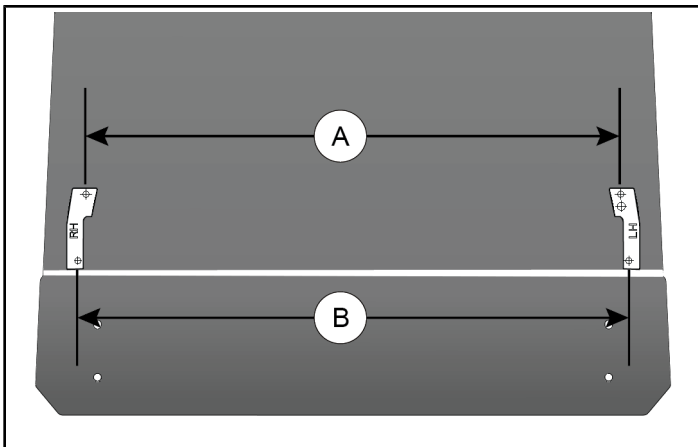




- Align templates on markings made in previous step. Use tape to hold template in place. Verify distances (center of mounting hole to center of mounting hole) are correct, according to measurements below.

MEASUREMENT
Measurement <b>(A)</b> : <b>(847 mm)</b>

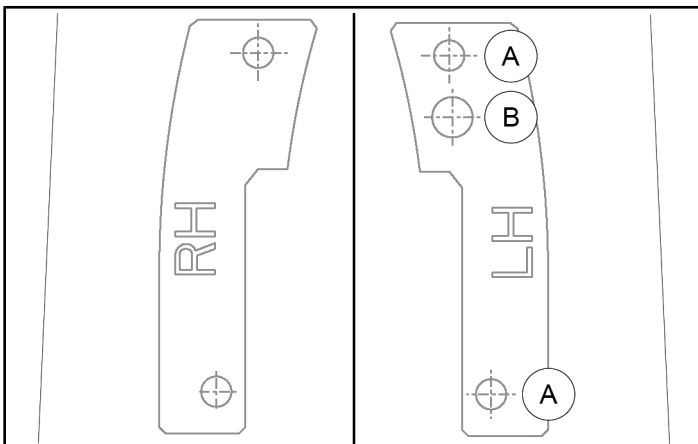
MEASUREMENT
Measurement <b>(B)</b> : <b>(873.3 mm)</b>



- Mark holes according to templates and drill according to measurements.

MEASUREMENT
Measurement <b>(A)</b> : <b>3/8 in (9.5 mm)</b>

MEASUREMENT
Measurement <b>(B)</b> : <b>1/2 in (13 mm)</b>

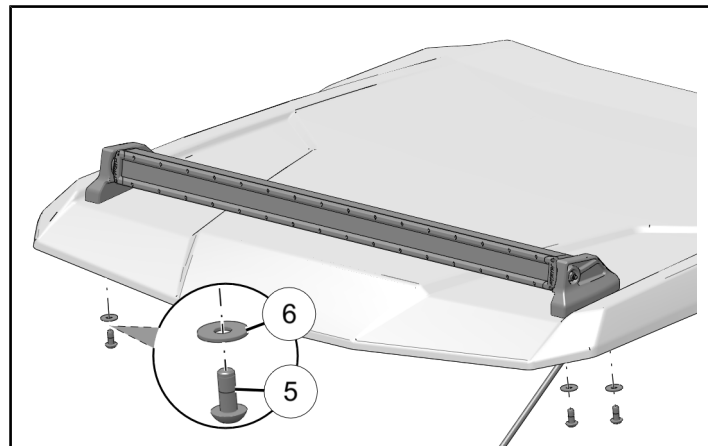


## LIGHT BAR MOUNTING

NOTICE
Poly roof shown; aluminum roof similar.

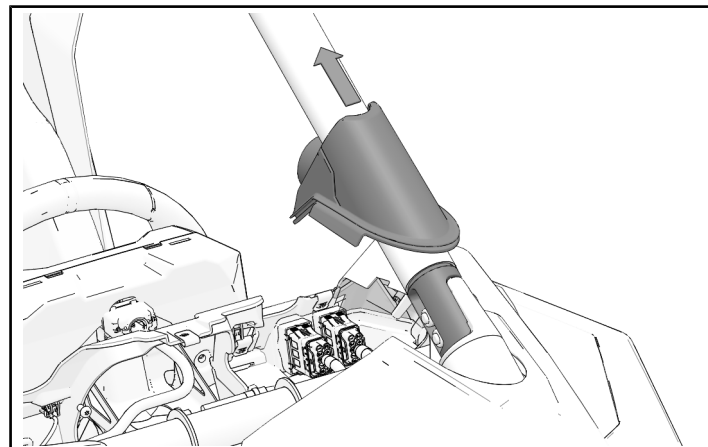
- Route wire harness through larger drilled hole and set light bar assembly on roof and loosely install four screws **(5)** and washers **(6)**. Once all four screws are installed, align light bar and torque screws **(5)** to specification.

TORQUE
Light Bar Bracket Fasteners <b>(5)</b> : <b>16 ft-lbs (22 N·m)</b>



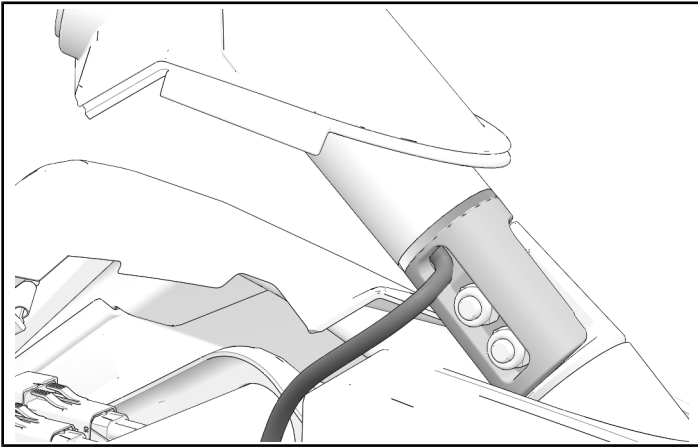
## HARNES ROUTING

- Slide left side rubber boot up ROPS to reveal lower brace of roll cage.

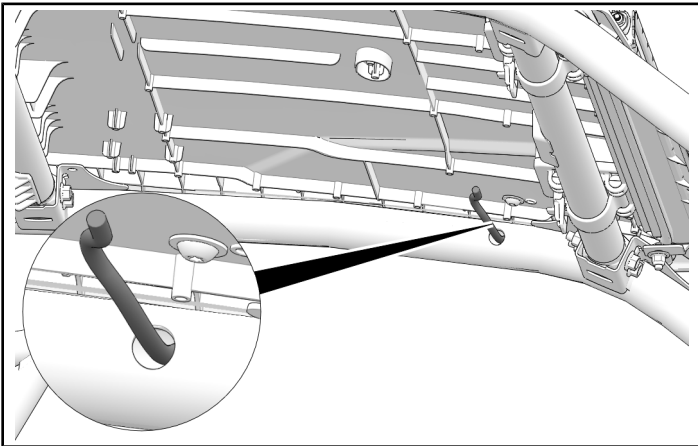




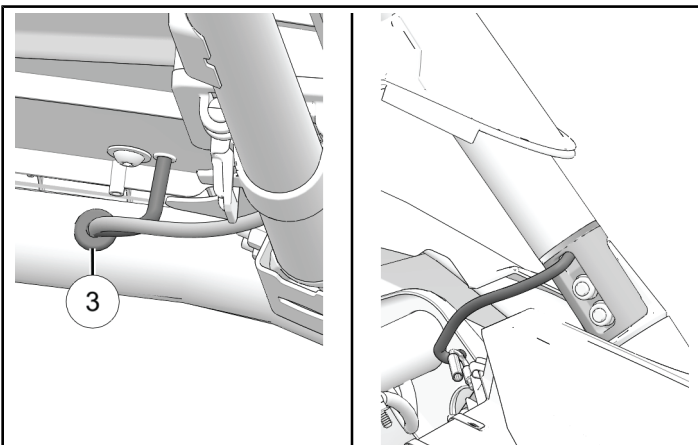
2. Feed fish tape (or equivalent) into opening in lower roll cage brace and up tubing, toward roof.



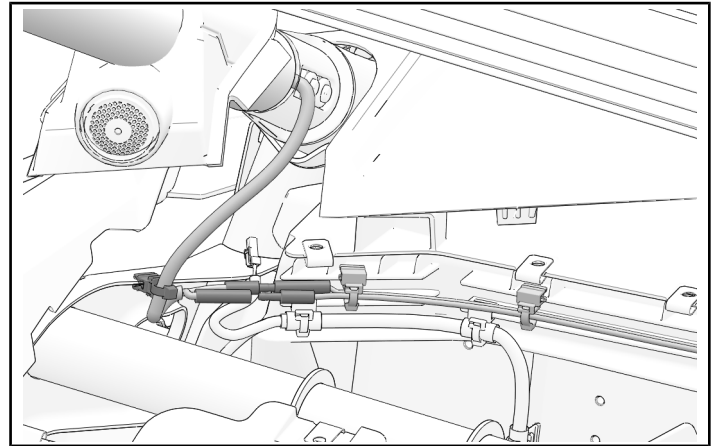
3. Locate fish tape and pull from round opening in roll cage as shown.



4. Slide grommet ③ onto light bar harness. Tape light bar harness to fish tape and pull back through hole and out opening in lower brace. Once wire is routed, install grommet ③ into round opening in ROPS to seal.



5. Join light bar harness connectors and to corresponding *Light Bar Harness Kit*, P/N 2883949 connectors. Wrap connectors in electrical tape. Attach edge clip to firewall as shown.



### **LIGHT BAR ADJUSTMENT**

1. Adjust aim of light bar to desired position and tighten outer nuts to specification.

#### **TORQUE**

Light Bar End Nuts:  
**16 ft-lbs (22 N·m)**

### **VEHICLE REASSEMBLY**

#### **GENERAL**

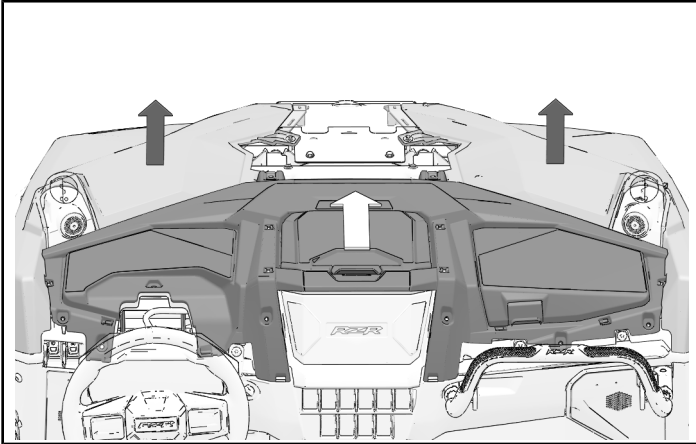
1. Verify light bar operates properly before proceeding with vehicle reassembly.
2. Proceed with installation/reinstallation of roof, as per roof installation instructions.

## DASHBOARD TOP INSTALLATION

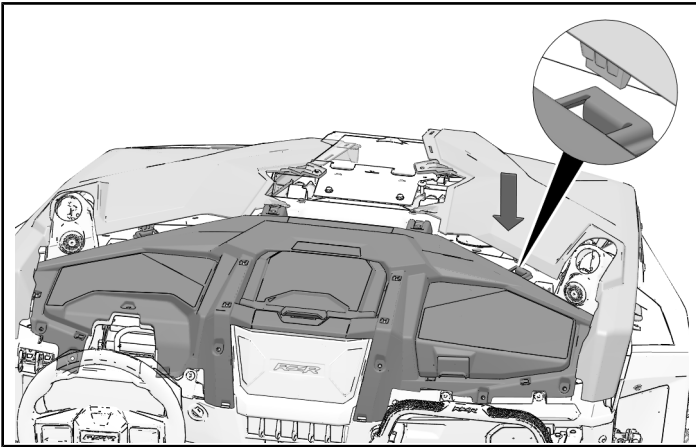
1. Carefully lift panels up-and-away from tabs and install dashboard top into place by tilting rear section up and installing front section first, then lower rear section into place.

### TIP

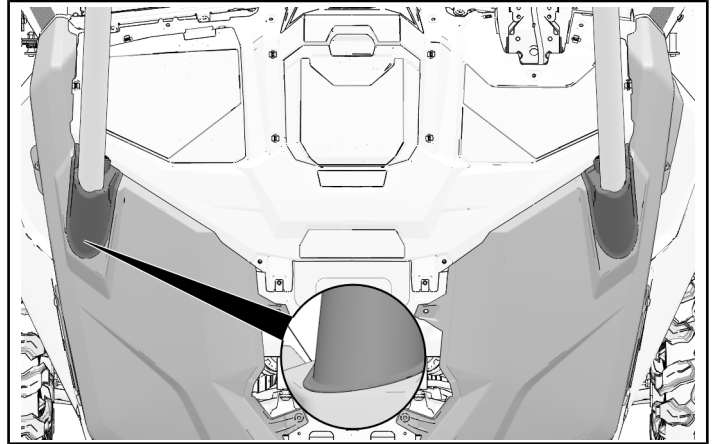
Two people are recommended to complete this step.



2. Ensure that tabs on panels are aligned in slots on dashboard top. (Passenger-side panel shown; driver-side panel similar.)



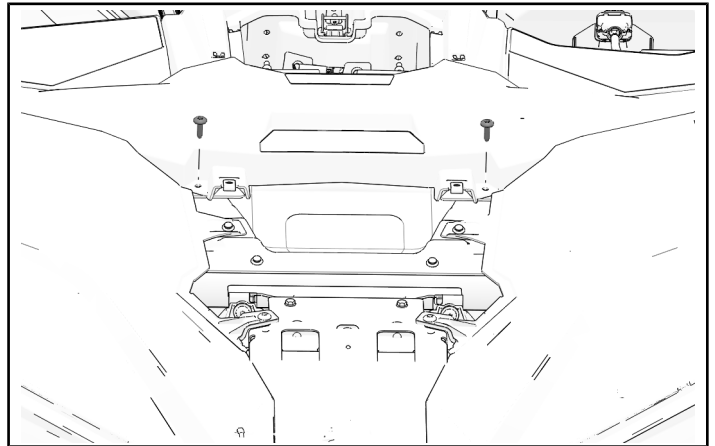
3. Ensure that both rubber boots are properly seated around hood panels. Only upper lip should be visible, as shown with inset.



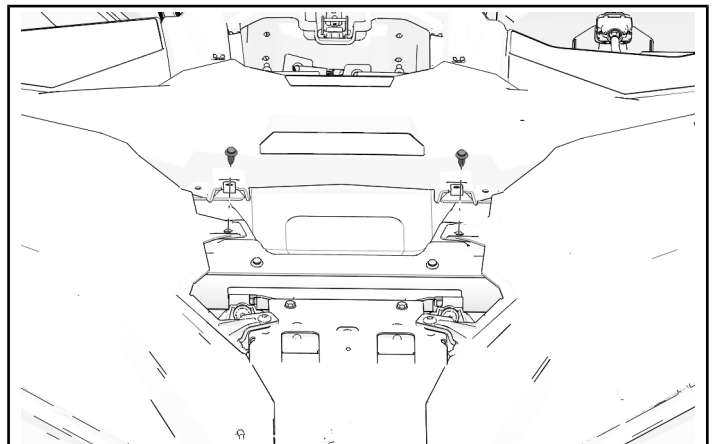
4. Reinstall two retained front dashboard fasteners into front edge of top dashboard.

### TORQUE

Front Dashboard Fasteners:  
**88 in-lbs (10 N·m)**



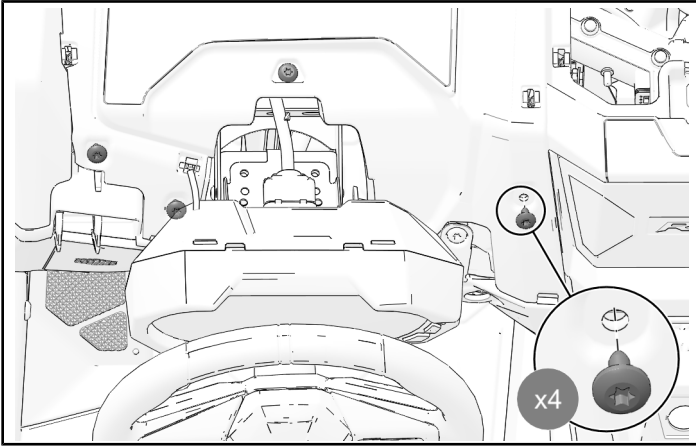
5. Install hood panels to with two retained push-pin rivets



6. Tilt steering wheel down. Install four retained screws through dashboard top and torque to specification.

**TORQUE**

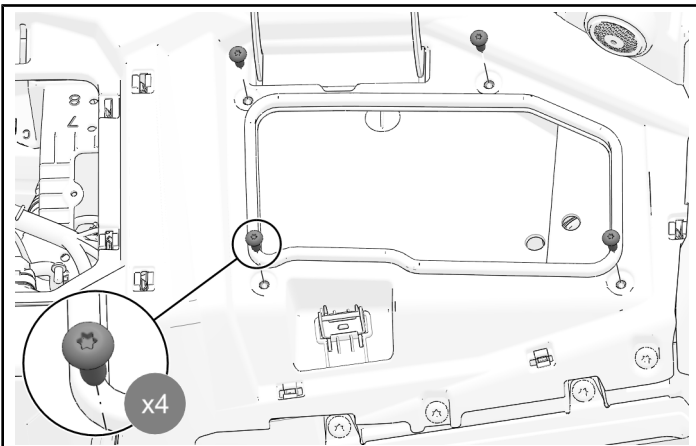
Dashboard Fasteners:  
**88 in-lbs (10 N·m)**



7. Open glove box lid and reinstall storage compartment. Install four retained dashboard fasteners around glove box opening.

**TORQUE**

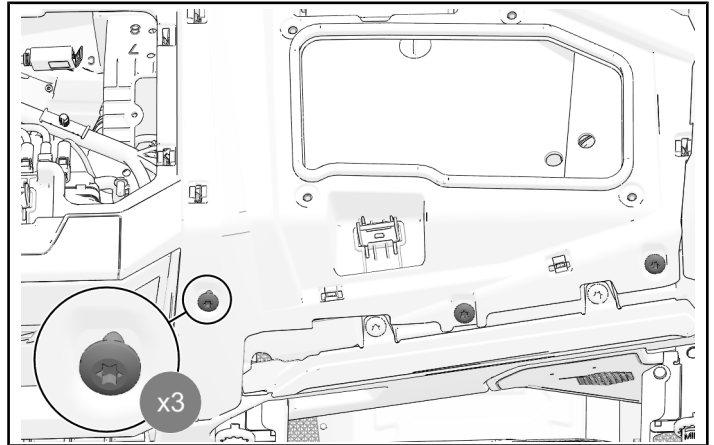
Dashboard Fasteners:  
**88 in-lbs (10 N·m)**



8. Install front of dashboard with three retained dashboard fasteners.

**TORQUE**

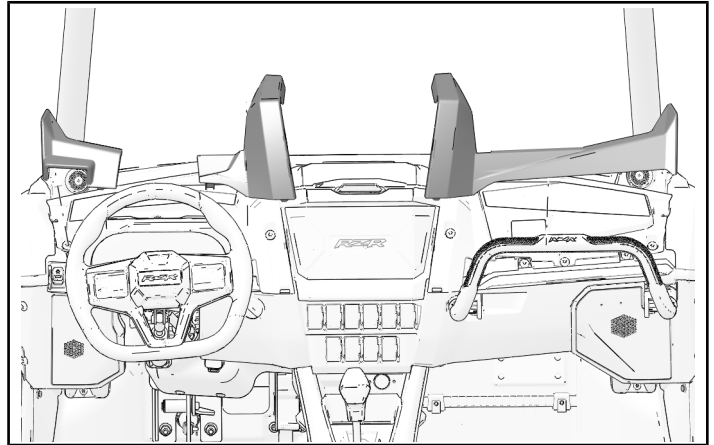
Dashboard Fasteners:  
**88 in-lbs (10 N·m)**



9. Install retained left, center, and right dashboard trim pieces.

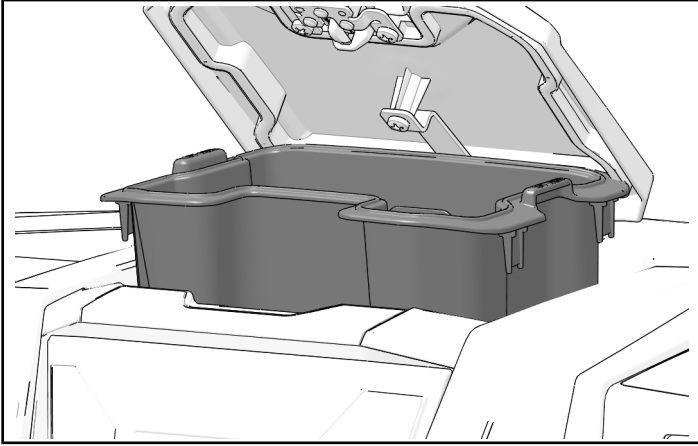
**TIP**

Release steering tilt lock for improved access.



## DASHBOARD STORAGE INSTALLATION

1. Slide storage compartment into dashboard cavity.

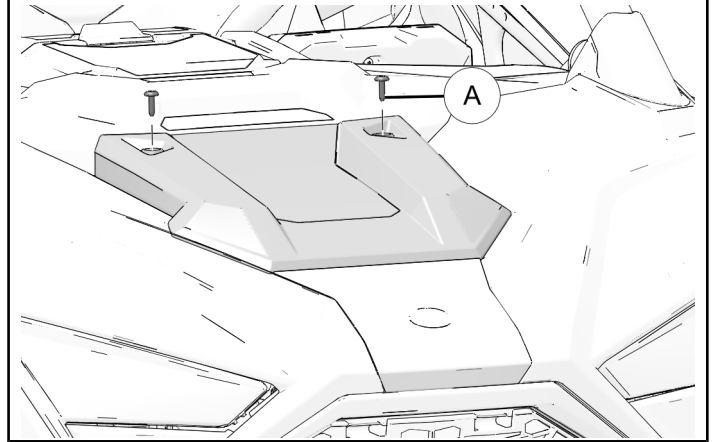


## CENTER HOOD PANEL INSTALLATION

1. Slide panel forward until tabs slide into front hood panel and install with two hood fasteners (A).

### TORQUE

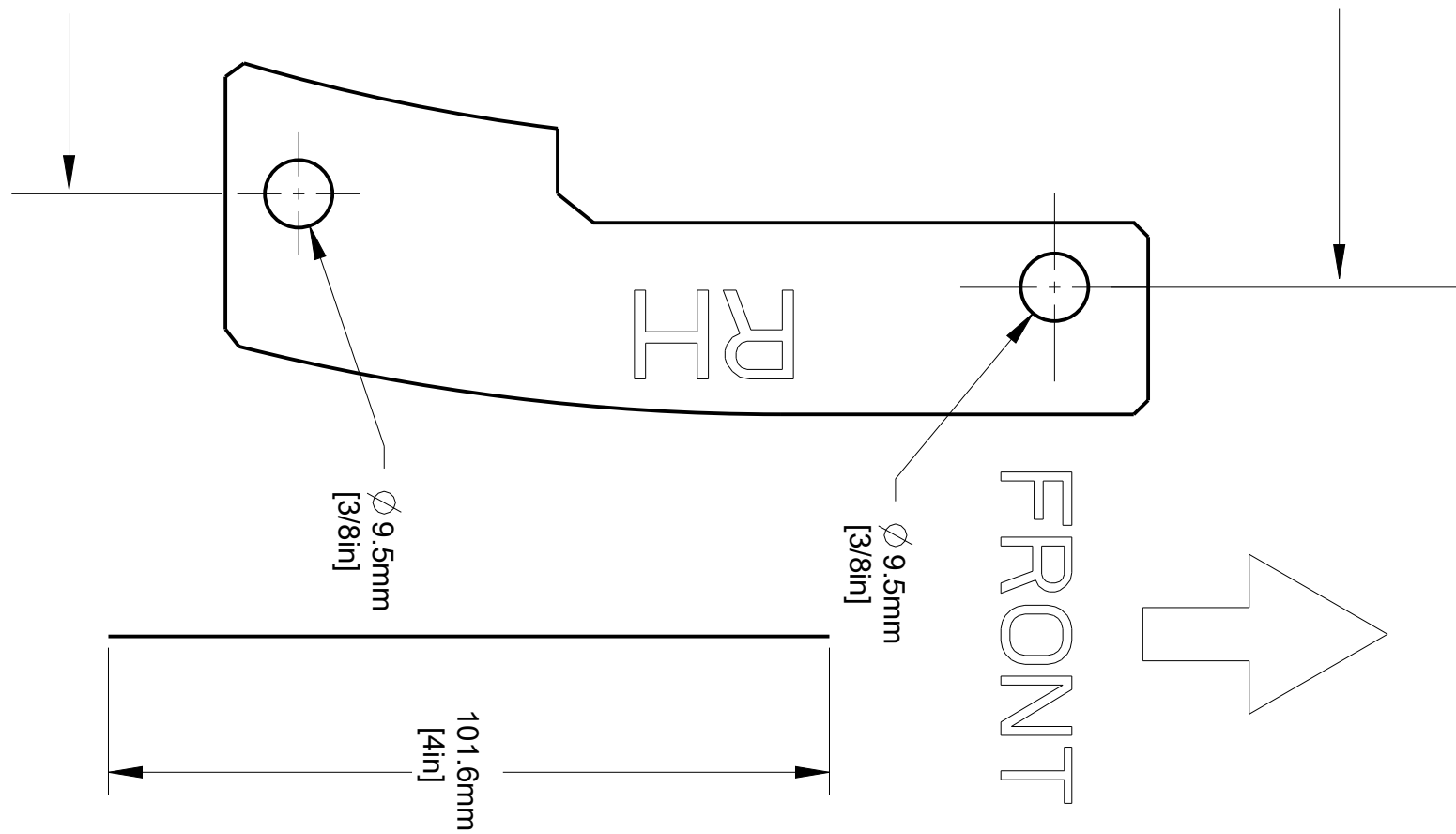
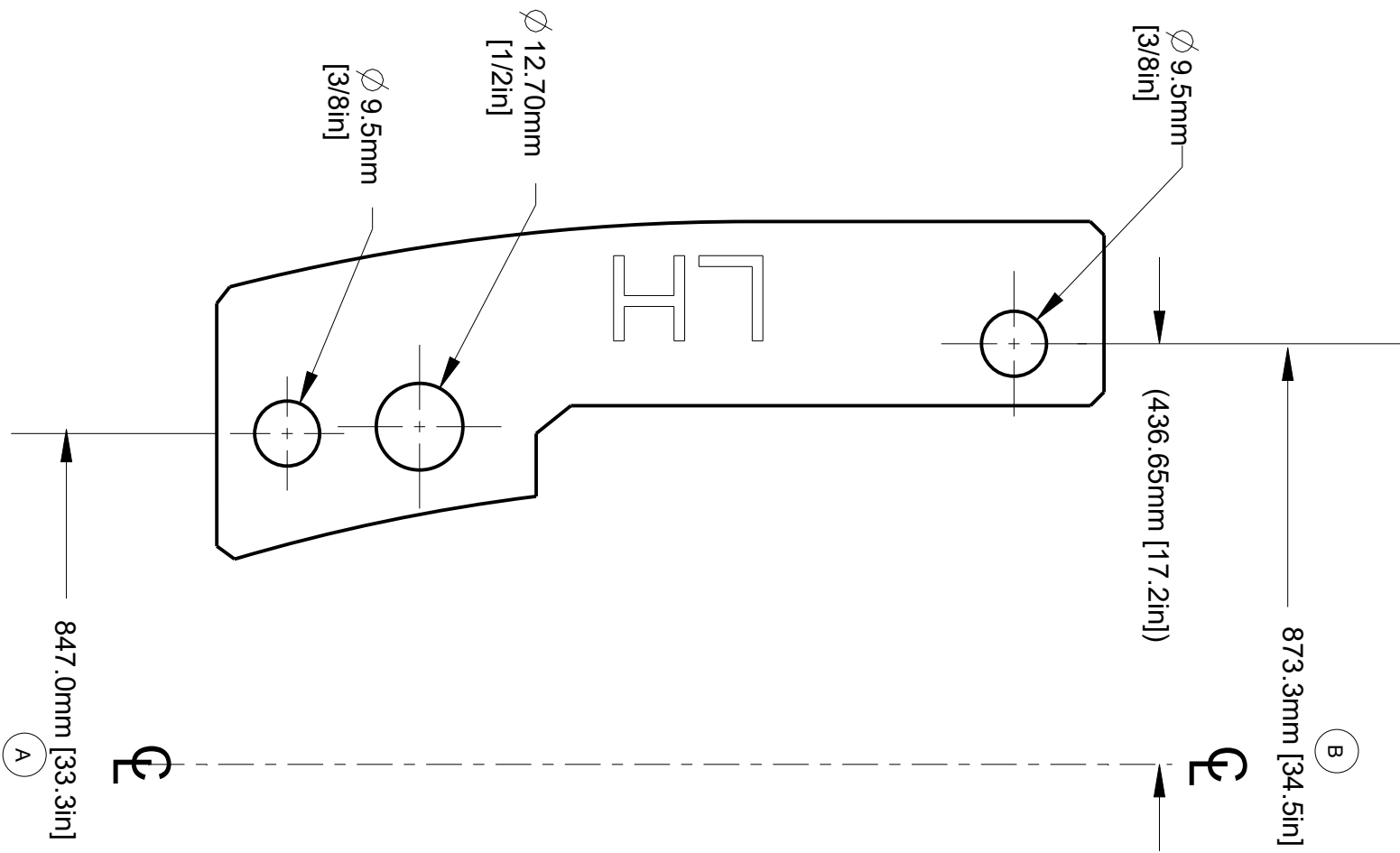
Hood Fasteners (A):  
**89 in-lbs (10 N·m)**



## INSTRUCTION FEEDBACK FORM

A feedback form has been created for the installer to provide any comments, questions or concerns about the installation instructions. The form is viewable on mobile devices by scanning the QR code or by clicking [HERE](#) if viewing on a PC.





This page left blank intentionally.