



REPAIR KIT ADAPTOR

Applications: "Sno-Glide" Plow

Before you begin, read these instructions and check to be sure all parts and tools are accounted for. Please retain these installation instructions for future reference and parts ordering information.

Tools Required: 13 mm and 19 mm Open-end Wrench and Socket, 11/32" Dia Drill Bit, Electric Drill, Punch, File, Retractable Knife, Hammer, Pliers

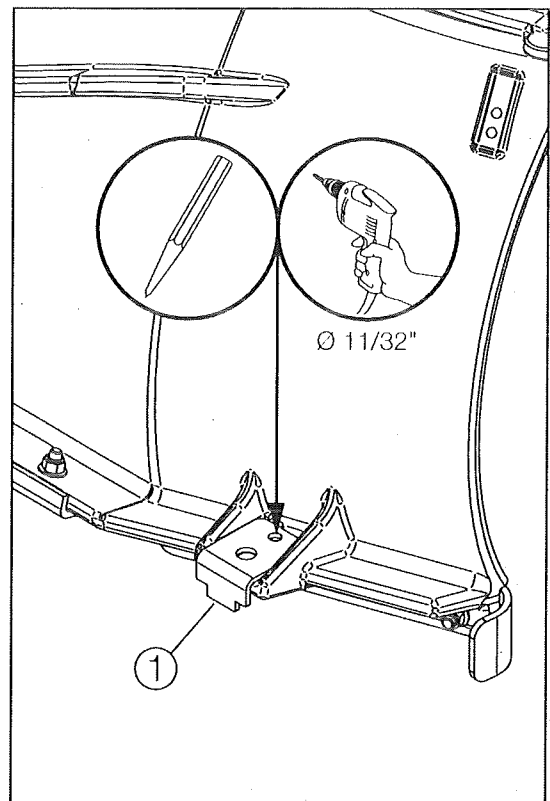
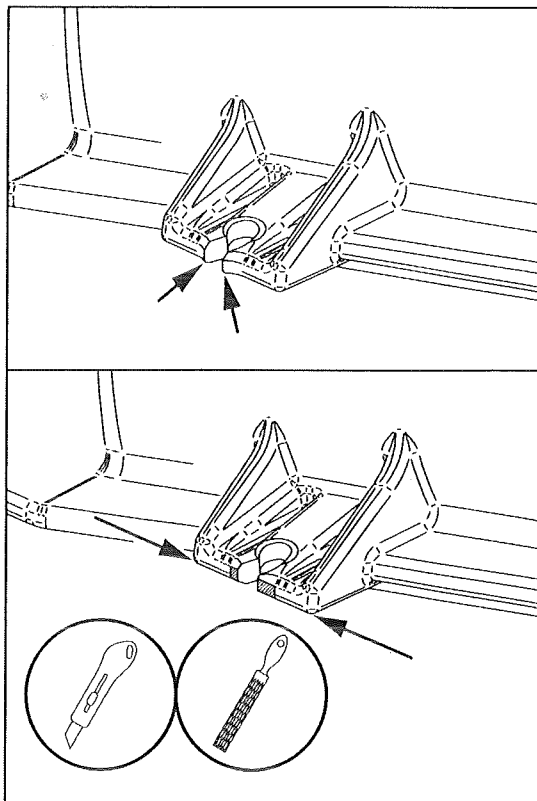
IMPORTANT: Your Polaris accessory is exclusively designed for your vehicle. Please read the installation instructions thoroughly before beginning. Installation of any item is easier if the vehicle is clean and free of debris.

The contents of this kit include:

<u>Ref.</u>	<u>Qty</u>	<u>Part Description</u>
1.....	1.....	Upper Reinforcement
2.....	1.....	Lower Reinforcement
3.....	1.....	Shim
4.....	1.....	M8-1.25 X 30 mm Hex Bolt
5.....	1.....	M8-1.25 Nylock Nut

INSTALLATION INSTRUCTIONS

1. If the skid shoe and/or the shim are still in place, remove them.
2. Check that the end of the skid shoe holder has no irregularity. If bumps or imperfections are present, carefully remove the excess for easy positioning of the reinforcement.
3. Using the upper reinforcement (#1) as a template, position and mark the position of the mounting hole using a punch as shown.
4. Remove the upper reinforcement (#1). Drill a mounting hole through the skid shoe holder with an 11/32" dia drill bit.



REPAIR KIT ADAPTOR

5. Position the upper reinforcement (#1), the shim (#3), and the lower reinforcement (#2) and fasten using the M8-1.25 X 30 mm hex bolt (#4) and the M8-1.25 nylock nut (#5).
6. Reinstall the skid shoe as illustrated.

