

GLACIER PRO BLADE (52") KIT



P/N 2879639

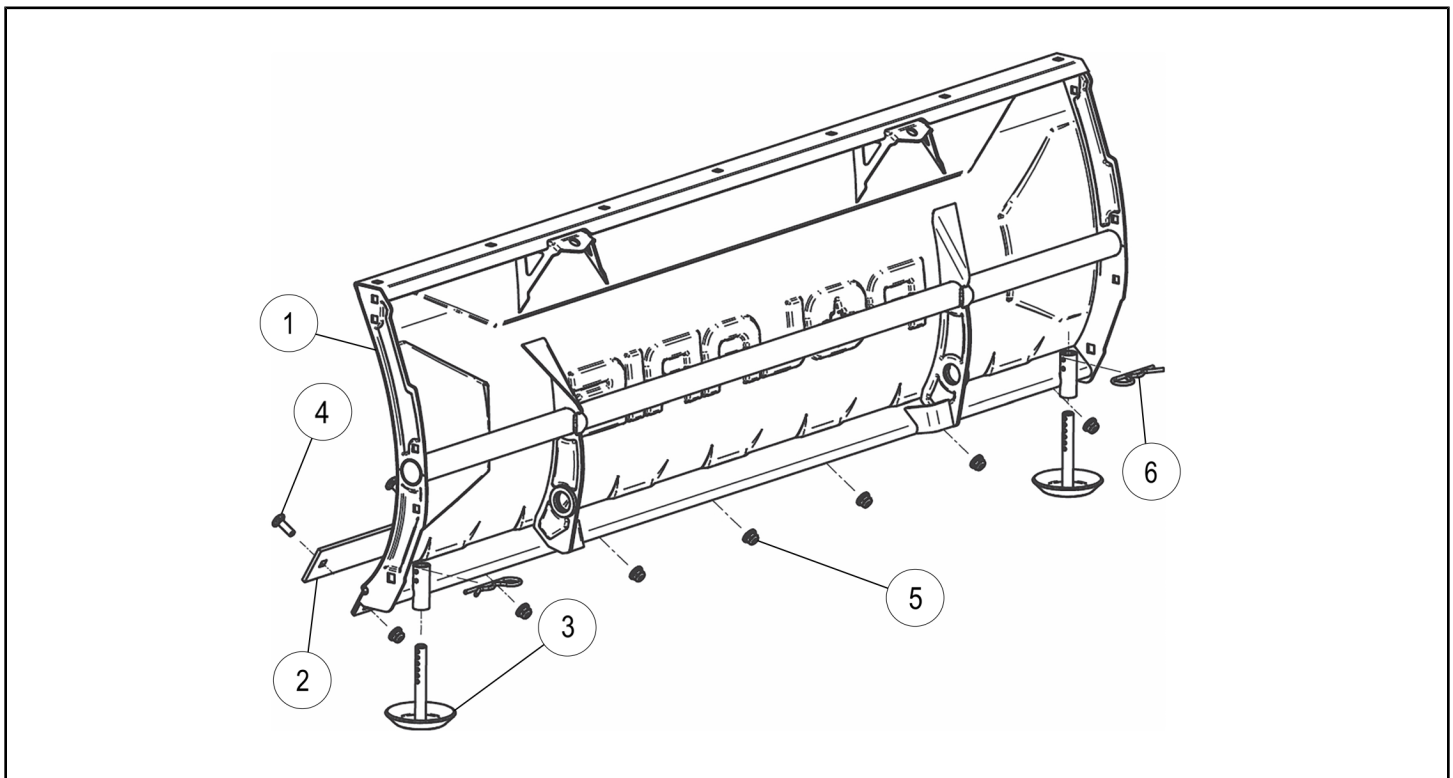
APPLICATION

GLACIER PRO ATV PLOW FRAME (PN 2879630)

BEFORE YOU BEGIN

Read these instructions and check to be sure all parts and tools are accounted for in package. Please retain these installation instructions for future reference and parts ordering information.

KIT CONTENTS



REF	QUANTITY	PART DESCRIPTION	PART NUMBER
1	1	Blade (52")	-
2	1	Wear Bar	2877210
3	2	Skid Shoe	2205071
4	7	M8 - 1.25 x 25 mm Carriage Bolt	-
5	7	M8 - 1.25 Nylon Nut	-
6	2	R - Pin	2205070
	1	Instructions	9924941

TOOLS NEEDED

- 13 mm Wrench and Socket

APPROXIMATE ASSEMBLY TIME

30 minutes

IMPORTANT

Your Polaris GLACIER PRO BLADE (52") KIT is exclusively designed for your vehicle. Please read the installation instructions thoroughly before beginning. Installation is easier if the vehicle is clean and free of debris. For your safety, and to ensure a satisfactory installation, perform all installation steps correctly in the sequence shown.

SPARE KITS		Wear Bar Kit	Skid Shoe Kit	R - Pin Kit
REF	DESCRIPTION	P/N 2877210	P/N 2205071	P/N 2205070
1	Blade (52 ")			
2	Wear Bar	1X		
3	Skid Shoe		2X	
4	M8 - 1.25 x 25 mm Carriage Bolt	7X		
5	M8 - 1.25 Nylon Nut	7X		
6	R - Pin		2X	2X