

# PLOW MOUNT KIT



**P/N 2881423, 2881424**

## APPLICATION

2016 Sportsman 570, Sportsman ETX, Sportsman 850 and Sportsman XP 1000 Models

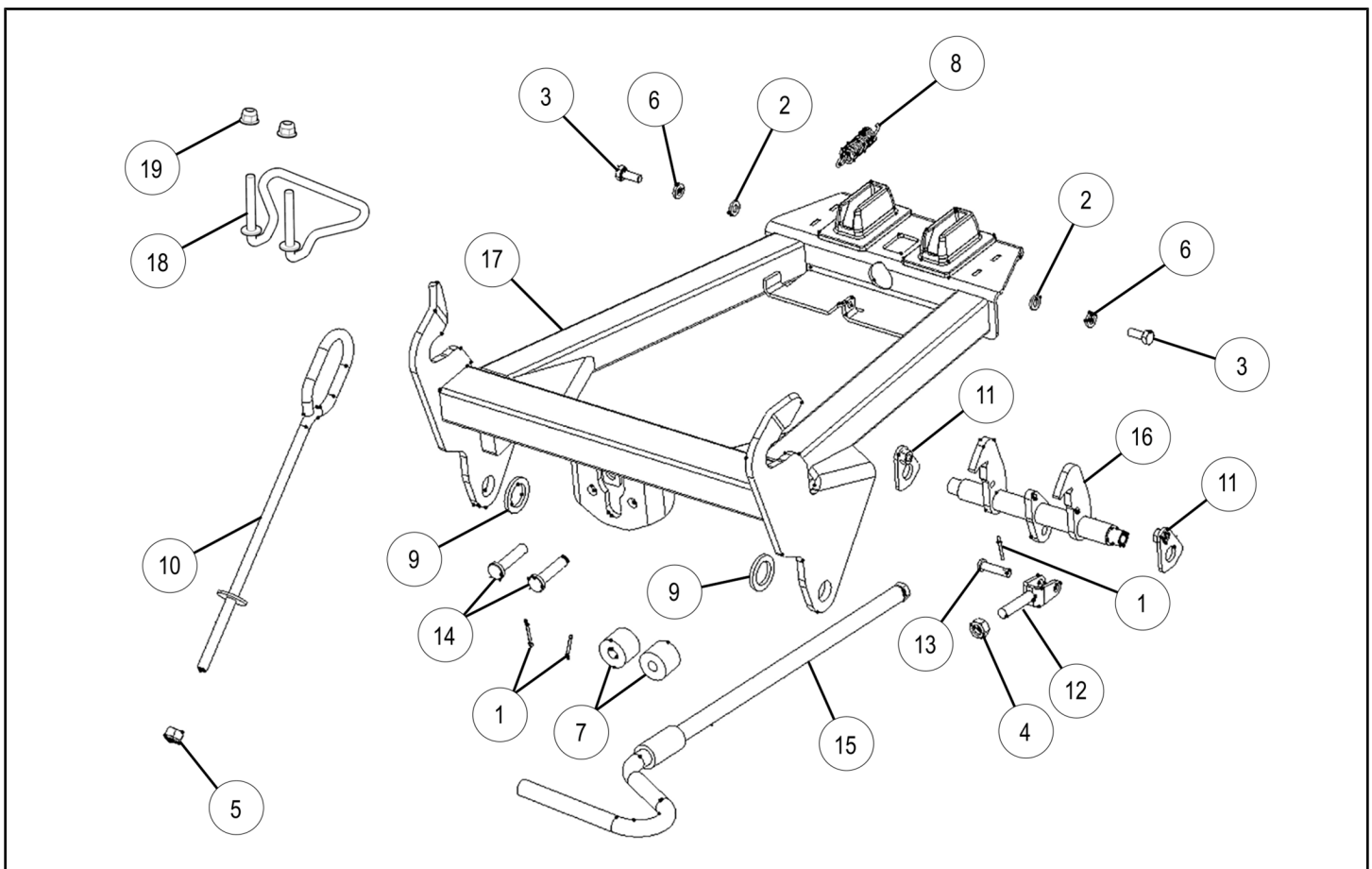
## BEFORE YOU BEGIN

Read these instructions and check to be sure all parts and tools are accounted for. Please retain these installation instructions for future reference and parts ordering information.

## KIT CONTENTS

**SPORTSMAN XP 1000 (P/N 2881423)**

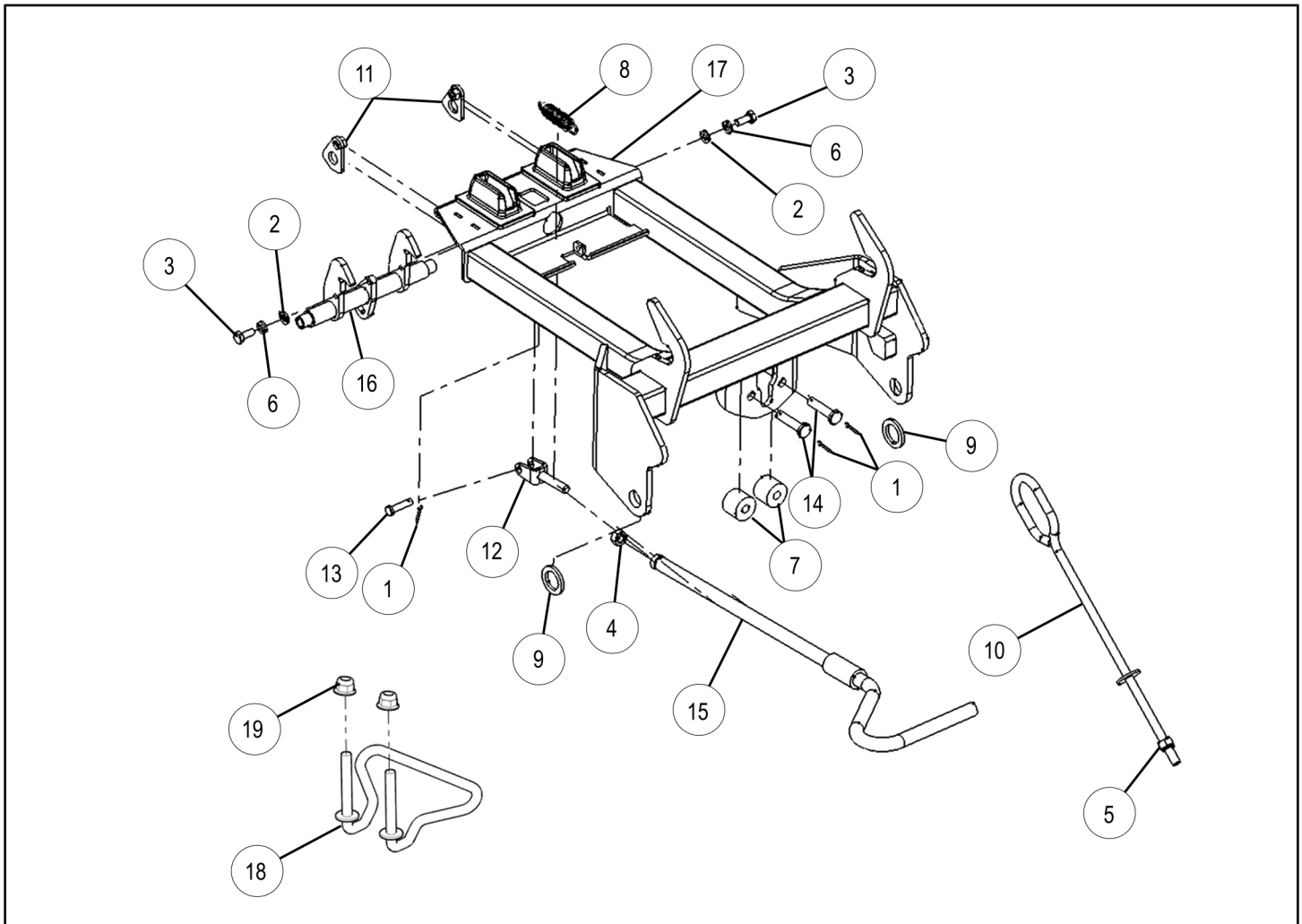
This Kit includes:



SPARE KITS							
REF	PART DESCRIPTION	PLOW MOUNT KIT (2881423)	LATCH WELD KIT (2206053)	WINCH LINK KIT (2205384)	HANDLE KIT (2206055)	HARDWARE KIT (2206056)	LIFT HANDLE KIT (2206159)
1	Cotter Pin, Ø2 X 10 mm	3X	1X		1X	2X	
2	M6 Flat Washer, ID 6.4 X OD 12 X 1.6	2X	2X				
3	Hexagonal Bolt, M6-1.0 X 15	2X	2X				
4	Hexagonal Nut, M8-1.25	1X			1X		
5	Hexagonal Nylon Nut, M8-1.25	1X		1X			
6	M6 Lock Washer, ID 6.1 X OD 11.8 X 1.6	2X	2X				
7	Compression Spacer	2X				2X	
8	Tension Spring	1X	1X				
9	HDPE Washer	2X				2X	
10	Winch Link	1X		1X			
11	Rear Skate Assembly	2X	2X				
12	Rear Fork	1X			1X		
13	Clevis Pin, 6 mm OD X 25.5 mm, Usable Length	1X			1X		
14	Clevis Pin, M8 X 30 mm, Usable Length	2X				2X	
15	Locking Handle	1X			1X		
16	Hook Assembly	1X	1X				
17	Welded Hook - Up	1X					
18	Lift Handle						1X
19	Nut						2X
	Instruction (P/N 9926313)	1X					

# SPORTSMAN 570 (P/N 2881424)

This kit includes:



SPARE KITS							
REF	PART DESCRIPTION	PLOW MOUNT KIT (2881424)	LATCH WELD KIT (2206053)	WINCH LINK KIT (2205754)	HANDLE KIT (2206054)	HARDWARE KIT (2206056)	LIFT HANDLE KIT (2206159)
1	Cotter Pin, Ø2 X 10 mm	3X	1X		1X	2X	
2	M6 Flat Washer, ID 6.4 X OD 12 X 1.6	2X	2X				
3	Hexagonal Bolt, M6-1.0 X 15	2X	2X				
4	Hexagonal Nut, M8-1.25	1X			1X		
5	Hexagonal Nylon Nut, M8-1.25	1X		1X			
6	M6 Lock Washer, ID 6.1 X OD 11.8 X 1.6	2X	2X				

SPARE KITS							
REF	PART DESCRIPTION	PLOW MOUNT KIT (2881424)	LATCH WELD KIT (2206053)	WINCH LINK KIT (2205754)	HANDLE KIT (2206054)	HARDWARE KIT (2206056)	LIFT HANDLE KIT (2206159)
7	Compression Spacer	2X				2X	
8	Tension Spring	1X	1X				
9	HDPE Washer	2X				2X	
10	Winch Link	1X		1X			
11	Rear Skate Assembly	2X	2X				
12	Rear Fork	1X			1X		
13	Clevis Pin, 6 mm OD X 25.5 mm, Usable Length	1X			1X		
14	Clevis Pin, M8 X 30 mm, Usable Length	2X				2X	
15	Locking Handle	1X			1X		
16	Hook Assembly	1X	1X				
17	Welded Hook - Up	1X					
18	Lift Handle						1X
19	Nut						2X
	Instruction (P/N 9926313)	1X					

## TOOLS REQUIRED

- 14 mm Wrench
- Pliers

## IMPORTANT

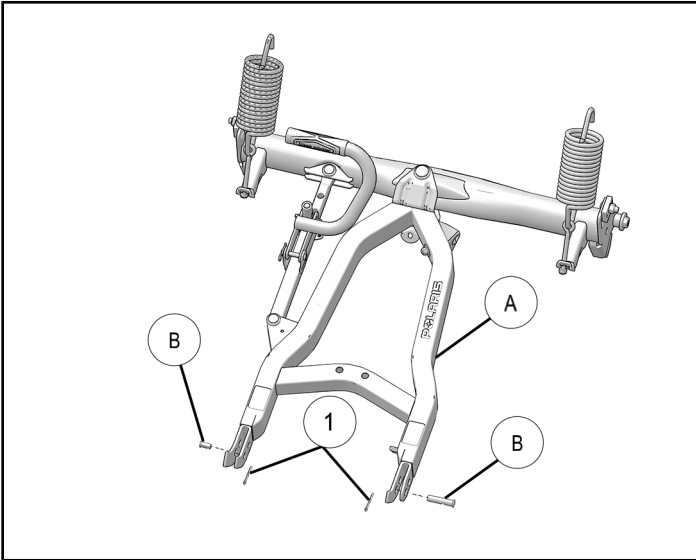
Your PLOW MOUNT KIT is exclusively designed for your vehicle. Please read the installation instructions thoroughly before beginning. Installation is easier if the vehicle is clean and free of debris. For your safety, and to ensure a satisfactory installation, perform all installation steps correctly in the sequence shown.

## ASSEMBLY TIME

Approximately 5 minutes

## INSTALLATION INSTRUCTIONS

1. Remove the cotter pins ① and then roll pins (B) from the plow frame (A).



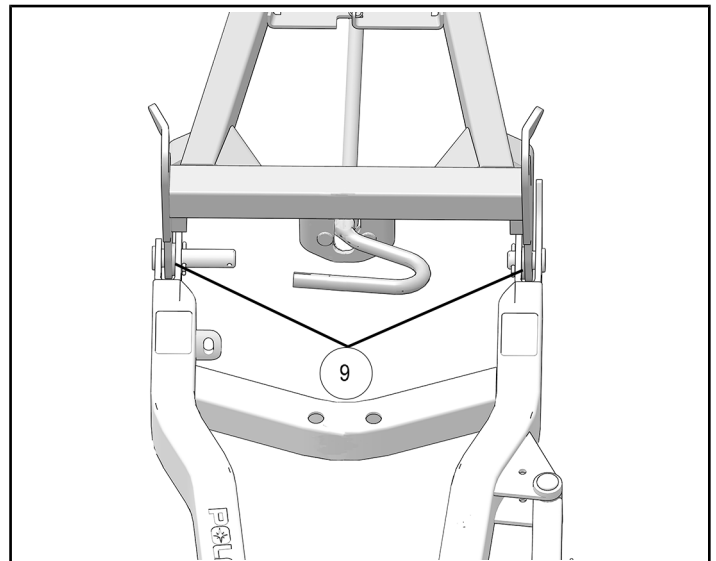
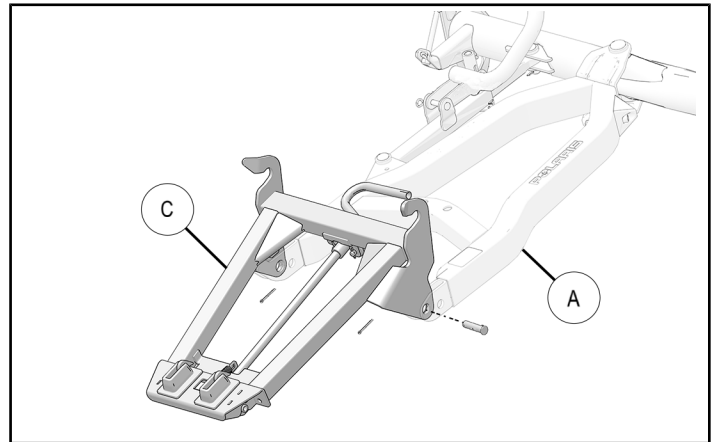
2. Assemble the plow mount (C) to the plow frame (A) using two roll pins, two washers and two cotter pins supplied in the plow frame kit.

### NOTE

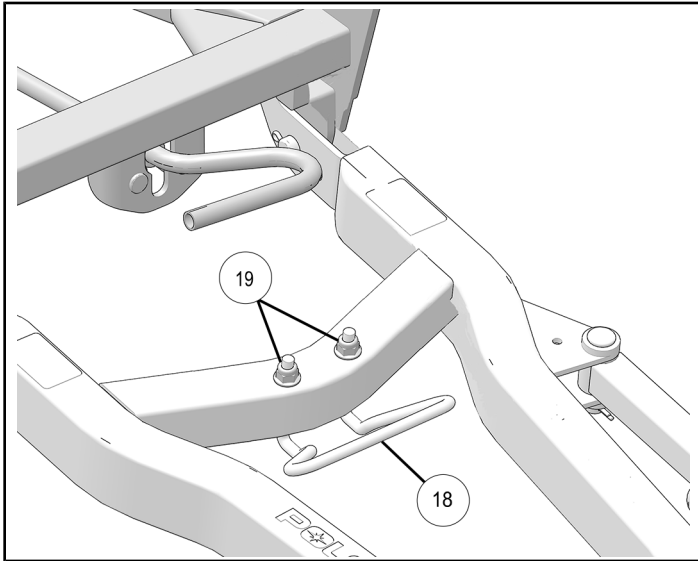
Insert washer ⑨ inside between the plow mount and frame on both sides as shown.

### NOTE

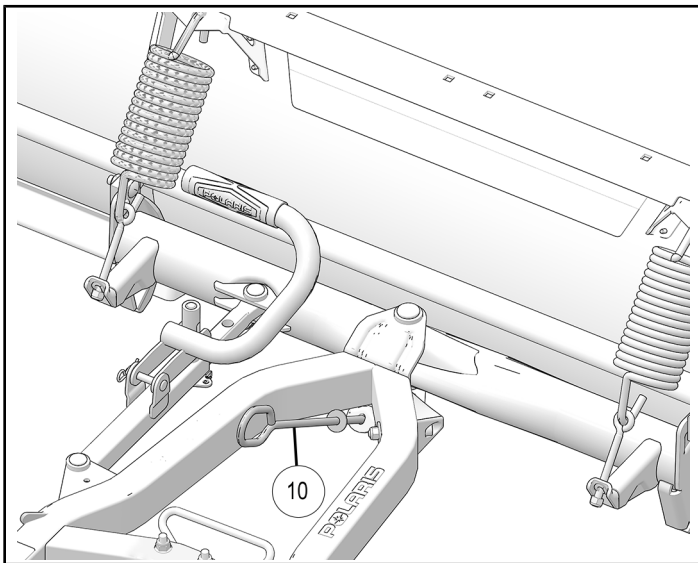
Roll pin at right side of the plow frame (as viewed from a riding position) is longer than the left side one so place the cotter pin into the close hole of the roll pin at right side.



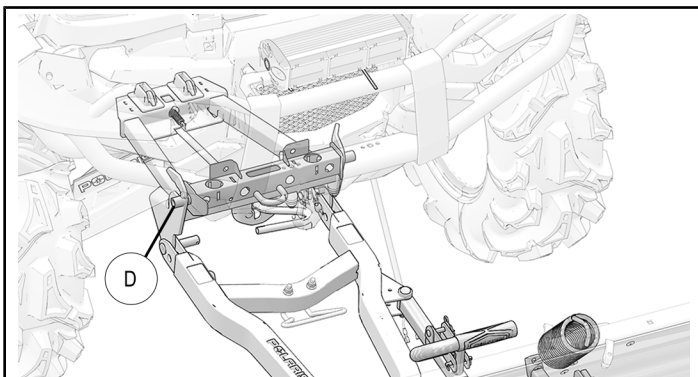
3. Install the lift handle (18) to the plow frame using nuts (19). Lift handle is provided in the plow mount kit.



4. Install winch link (10) to the plow frame using nut (5). Do not tighten the nut, only thread on.



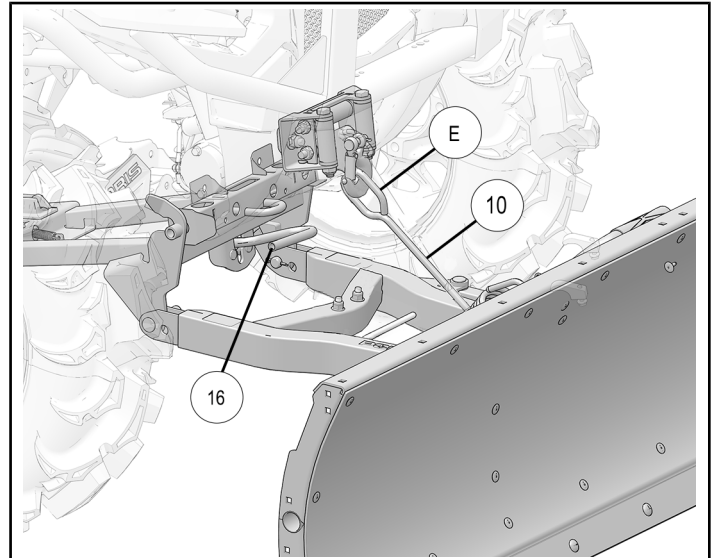
5. Place the plow mount assembly on to the front crossbar (D) of the vehicle frame.



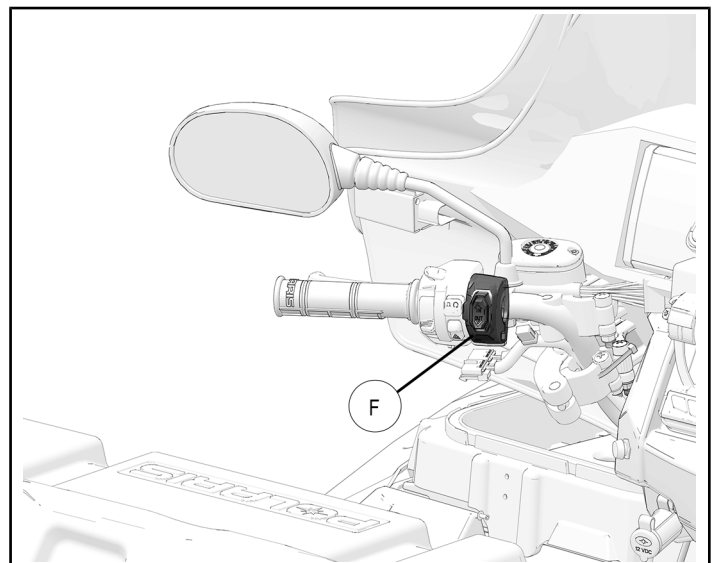
6. Use the freespool knob on the winch to release winch cable and hook. Pull the winch latch hook (E) and attach to the winch link (10). Re-Engage winch freespool by returning freespool knob to original position.

#### NOTE

Make sure the locking handle (16) is in the up (unlocked) position.



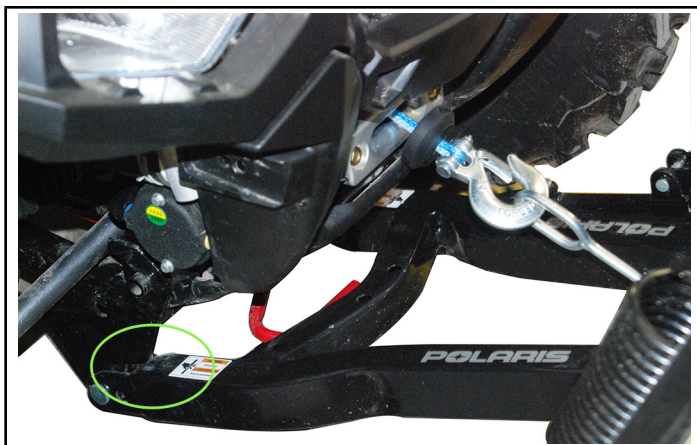
7. Lift the plow assembly by using winch switch (F) on the handlebar. You should hear the plow "click" into place on the ATV frame. Continue to lift plow up using the winch until hook is nearly tight to fairlead. This will be the maximum height that the winch can lift the plow.



- Tighten nut ⑤ on winch link until plow frame nearly contacts the plow mount. This contact point prevents the plow from rotating higher during use.

#### NOTE

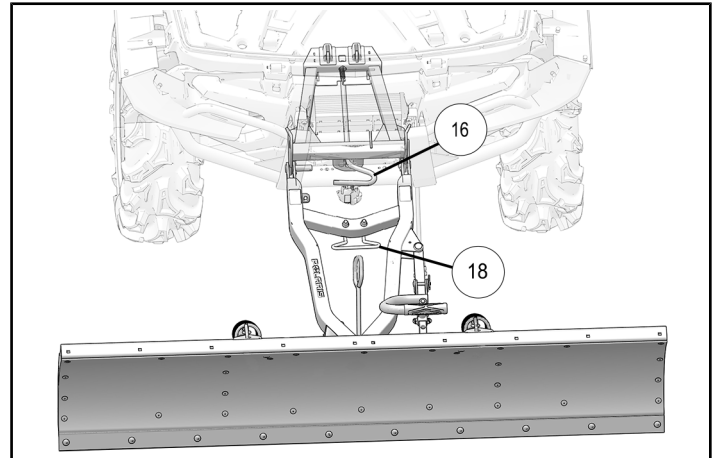
Check winch hook and pivot contact point again to make sure that the winch does not attempt to lift the plow beyond its maximum intended travel.



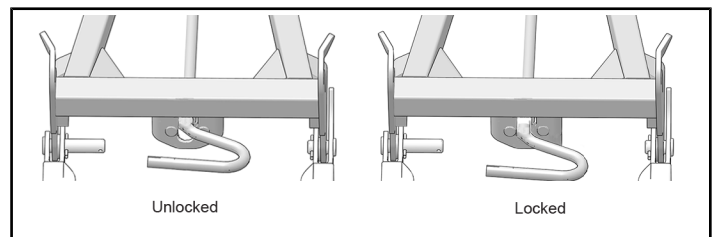
- Press the locking handle ⑯ down to lock the plow in place on the ATV frame.

#### ⚠ WARNING

You must lock the plow into place before operating vehicle. If plow is not locked in place, the plow could detach from the vehicle resulting serious injury to the operator.



#### To unlock and remove the plow assembly



- Lower the plow to the ground using the winch switch and continue to operate the winch cable out until there is enough slack on the winch cable to disconnect it from the plow.
- Disconnect the winch cable from the plow.
- Lift up on the locking handle ⑯ to unlock the plow.
- Pull the locking handle forward to release it from the vehicle and place the plow on the ground using plow frame lift handle ⑱.

#### NOTE

Make sure the plow is completely disconnected from the vehicle.

14. Using the winch switch, pull in any slack from the winch cable.

### NOTE

The red handle is adjustable to allow the lock mechanism to be adjusted to compensate for wear over time. If you find it necessary to adjust this handle, loosen the lock nut (G) on the threaded shaft where it contacts the red handle as shown. Rotate the handle until proper adjustment is made, then retighten the lock nut (G).

### TORQUE

8 ft. lbs. (10.85 Nm)

