

HEADACHE RACK KIT



P/N 2879976, 2881531

APPLICATION

Verify accessory fitment at Polaris.com.

BEFORE YOU BEGIN

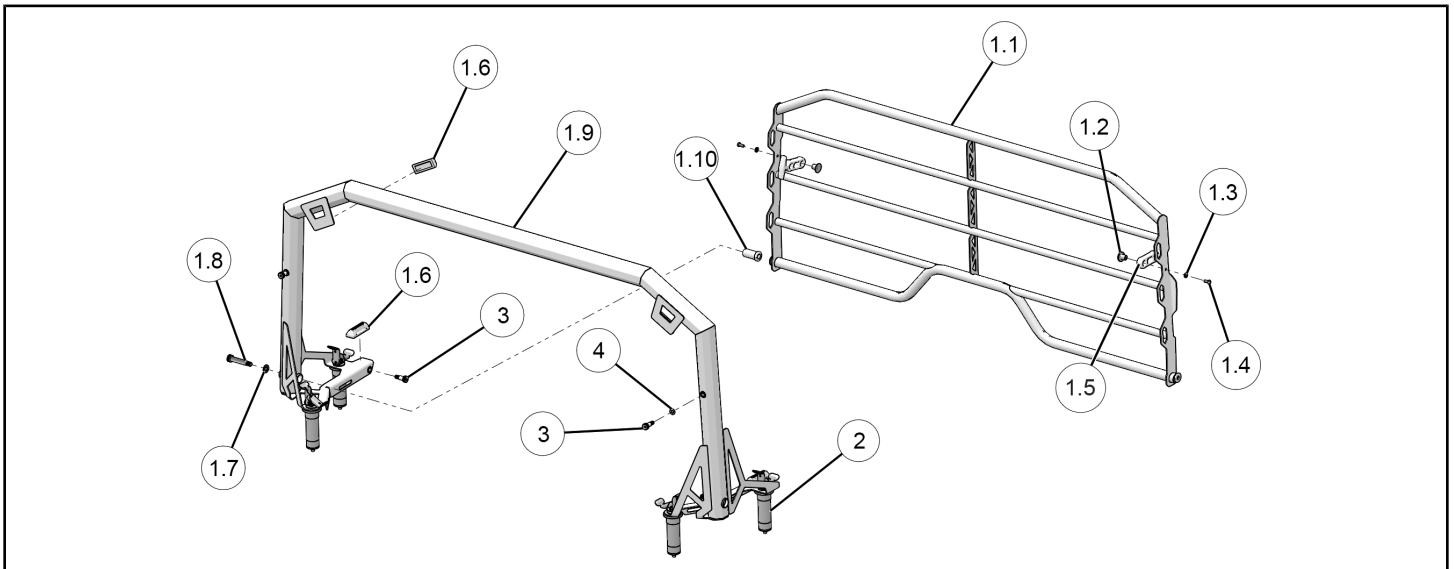
Read these instructions and check to be sure all parts and tools are accounted for. Please retain these installation instructions for future reference and parts ordering information.

KIT CONTENTS

This Kit includes:

NOTE

Kit PN 2881531 shown; Kit PN 2879976 similar except as noted below.



REF	QTY	PART DESCRIPTION	PART NUMBER
1	1	Headache Rack Assembly (includes items 1.1–1.10)	-
1.1	1	- Headache Rack, Moveable	-
1.2	2	- Retainer Spacer - 25 mm	-
1.3	2	- Washer, Spring - M6	-
1.4	2	- Screw, Torx® - M6 X 1.0 X 15	-
1.5*	2	- Strap	-
1.6	4	- Bumper	-
1.7*	2	- Washer - 12.5 X 20 X 2	-
1.8*	2	- Screw, Shoulder - M10 X 1.5	-
1.9	1	- Headache Rack, Fixed	-
1.10	2	- Bushing	-
2	4	Expansion Anchor Kit, Lock & Ride®	2875250

REF	QTY	PART DESCRIPTION	PART NUMBER
3*	4	Screw, Shoulder - M8 X 1.25	-
4*	2	Washer - 8.4 X 16 X 1.5	-
	1	Instructions	9926584

Items marked (*) are included in Hardware Kit PN 2206118.

TOOLS REQUIRED

- Safety Glasses
- Screwdriver, Phillips
- Socket Set, Hex Bit, Metric
- Wrench Set, Metric

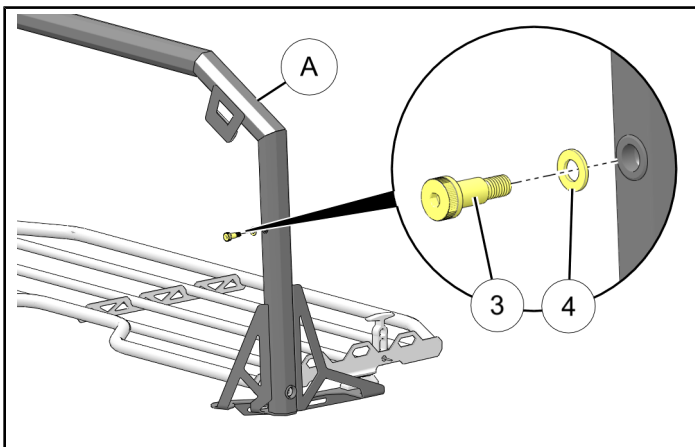
IMPORTANT

Your HEADACHE RACK KIT is exclusively designed for your vehicle. Please read the installation instructions thoroughly before beginning. Installation is easier if the vehicle is clean and free of debris. For your safety, and to ensure a satisfactory installation, perform all installation steps correctly in the sequence shown.

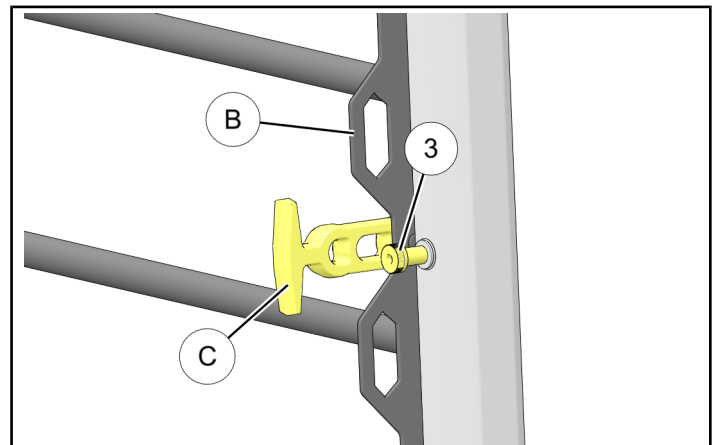
INSTALLATION INSTRUCTIONS

1. Shift vehicle transmission into "PARK". Turn ignition switch to "OFF" position and remove key.
2. Install shoulder screw ③ and washer ④ to fixed rack ①. Tighten screw. Repeat for RH side.

NOTE
Shoulder screw functions as strap retention post.

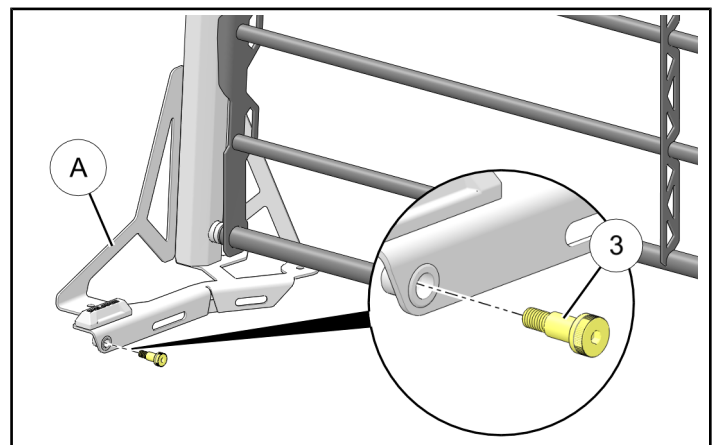


3. Raise moveable rack ②, then secure two straps ⑤ to shoulder screws ③ installed in previous step.

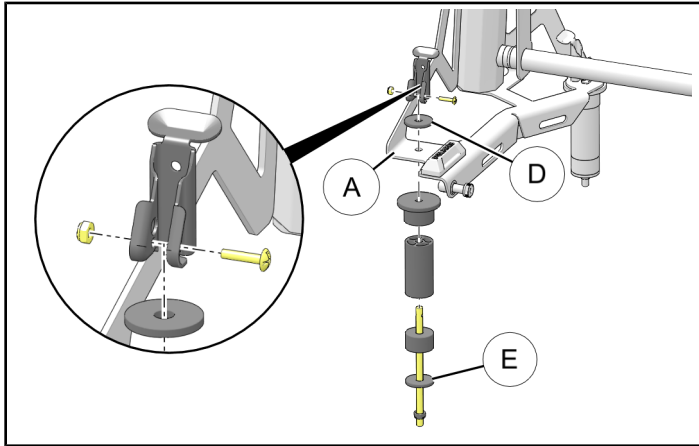


4. Install shoulder screw ③ to fixed rack ①. Tighten screw. Repeat for RH side.

NOTE
Washers are not used at these locations.

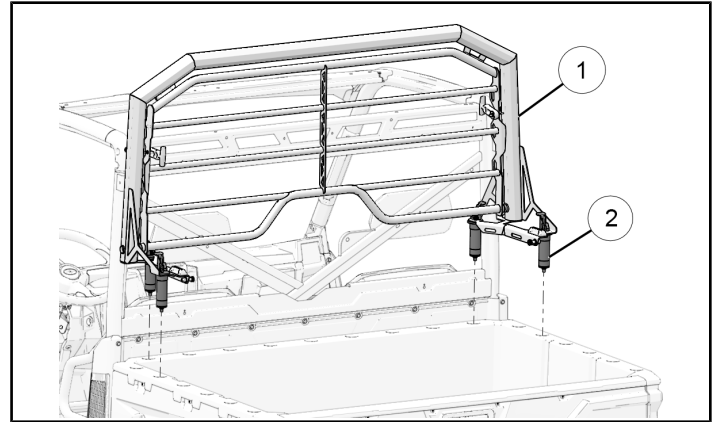


5. Assemble and install LOCK & RIDE® expansion anchor ② to each corner of fixed rack ①. Observe location of nylon washer ④ and steel washer ⑤.



6. Ensure all expansion anchors ② are unlocked, then install headache rack assembly ① into bed until anchors are fully seated. Depress levers to lock in place.

If installation is loose, remove rack from bed, tighten nut at base of affected anchor(s), and reinstall.



FEEDBACK FORM

A feedback form has been created for the installer to provide any comments, questions or concerns about the installation instructions. The form is viewable on mobile devices by scanning the QR code or by clicking [HERE](#) if viewing on a PC.

FEEDBACK FORM

