

# HOOD RACK KIT



**P/N 2881459**

## APPLICATION

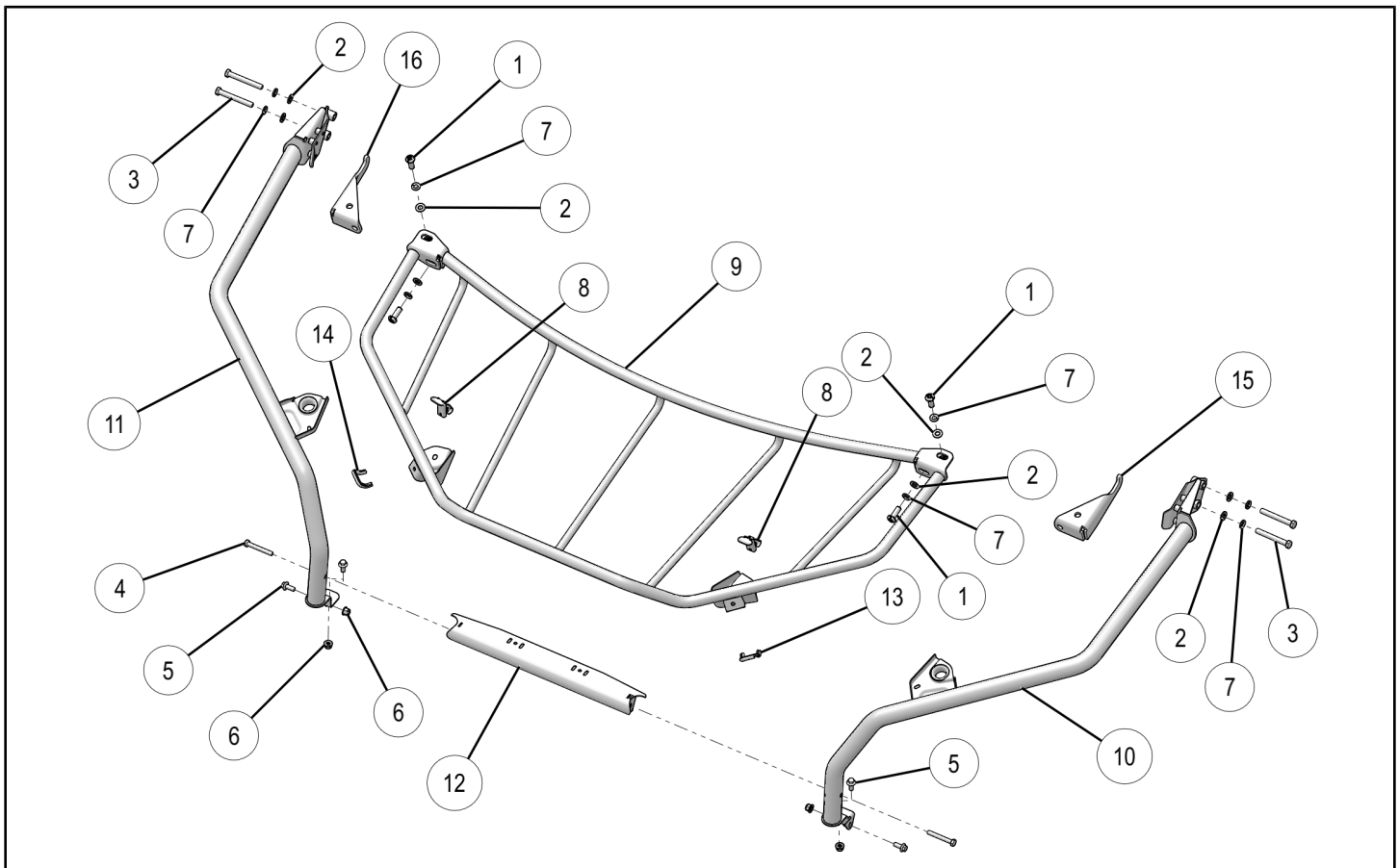
All *RANGER* Full-Size and Diesel

## BEFORE YOU BEGIN

Read these instructions and check to be sure all parts and tools are accounted for. Please retain these installation instructions for future reference and parts ordering information.

## KIT CONTENTS

This Kit includes:



REF	QTY	PART DESCRIPTION	PART NUMBER
1	4	Screw, Button Head Torx - M10 X 1.5 X 65	-
2	8	Washer, Flat - M10 X 10.5 X 20 X 2	-
3	4	Bolt, Hex - M10 X 1.5 X 80	-
4	2	Bolt, Hex - M8 X 1.25 X 60	-
5	4	Bolt, Hex Flange - M8 X 1.25 X 20	-
6	4	Nut, Hex Flange - M8 X 1.25	-
7	8	Washer, Lock - M10 X 10.2 X 18.1 X 2.2	-

REF	QTY	PART DESCRIPTION	PART NUMBER
8	2	LOCK and RIDE® Expansion Anchors	-
9	1	Removable Rack	-
10	1	Left Frame Support	-
11	1	Right Frame Support	-
12	1	Lower Support	-
13	1	Left Trim	-
14	1	Right Trim	-
15	1	Left Hook	-
16	1	Right Hook	-
	1	Instructions	9925642

## TOOLS REQUIRED

- Safety Glasses
- Metric Socket Set
- Metric Wrench Set
- Torque Wrench
- Torx Driver Set

## IMPORTANT

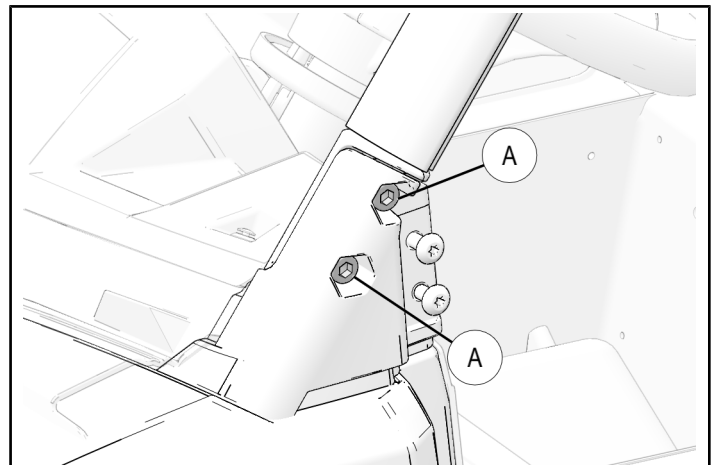
Your HOOD RACK KIT is exclusively designed for your vehicle. Please read the installation instructions thoroughly before beginning. Installation is easier if the vehicle is clean and free of debris. For your safety, and to ensure a satisfactory installation, perform all installation steps correctly in the sequence shown.

## ASSEMBLY TIME

Approximately 30 minutes

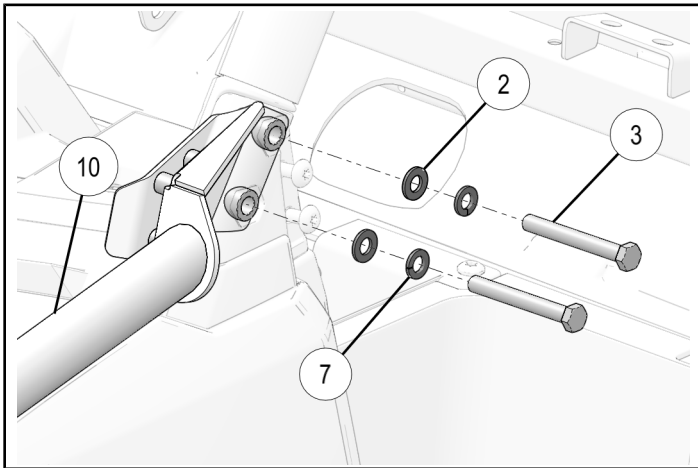
## INSTALLATION INSTRUCTIONS

1. Place vehicle in "PARK". Turn key to "OFF" position and remove from vehicle.
2. Remove two M10 fasteners (A) from left side ROPS as shown. Fasteners will not be reused.

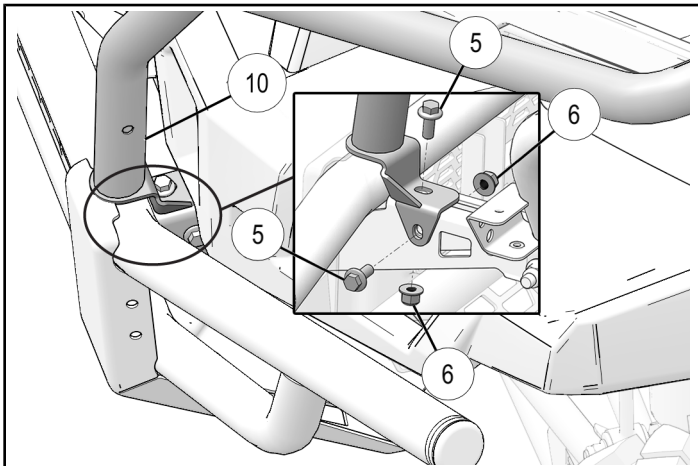


3. Install left frame support (10).

- a. Loosely install support (10) at rear attach point using M10 bolts (3), lock washers (7), and flat washers (2) as shown.

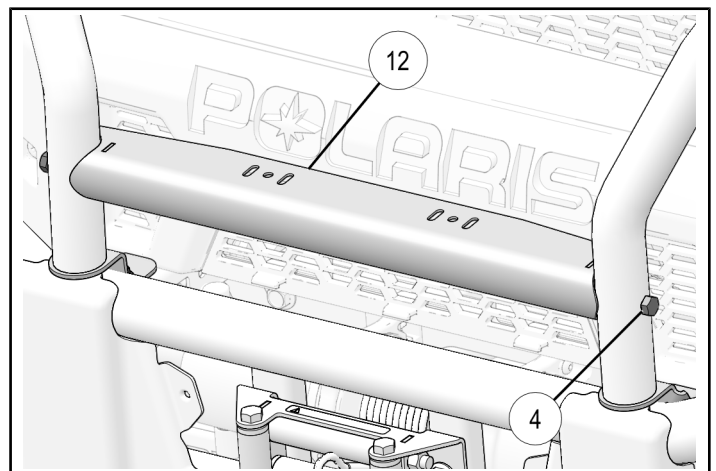
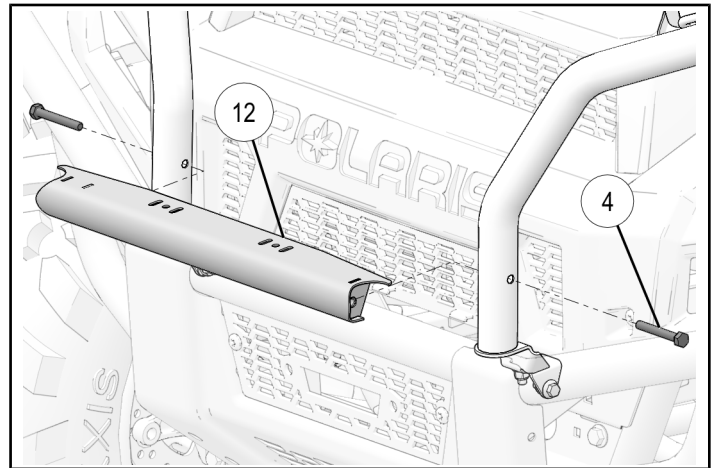


- b. Loosely install support (10) at front attach point using M8 bolts (5) and nuts (6) as shown.



4. Repeat Steps 2 and 3 for right frame support (11).

5. Loosely install lower support (12) using M8 bolts (4) as shown.



**⚠ WARNING**

Failure to torque fasteners as directed in Step 6 will adversely affect ROPS integrity and may lead to personal injury or death in an accident.

6. Torque fasteners installed in Steps 3-5 to specification.

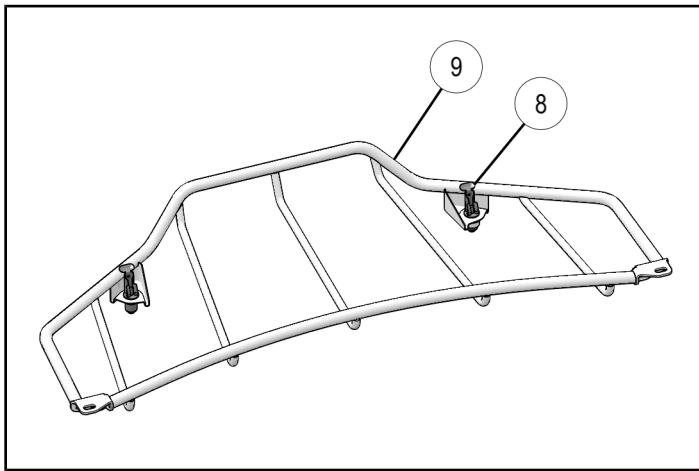
**TORQUE**

M10 fasteners: 36 ft. lbs. (49 Nm)  
M8 fasteners: 16 ft. lbs. (22 Nm)

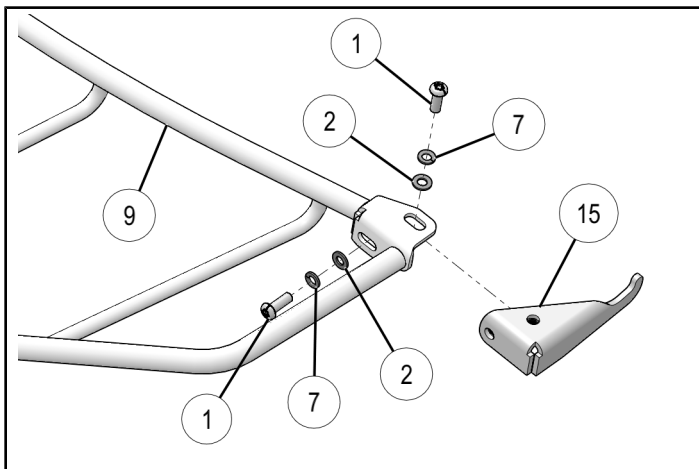
7. Install LOCK and RIDE® expansion anchors ⑧ to removable rack ⑨ as shown.

**NOTE**

Refer to instructions included with LOCK and RIDE® expansion anchors.



8. Loosely install left hook ⑮ to removable rack ⑨ using screws ①, lock washers ⑦, and flat washers ② as shown.



9. Repeat Step 8 for right hook ⑮.

10. Attach removable rack ⑨ so that hooks ⑮ ⑯ lock into frame support ⑩ ⑪ brackets as shown. Position removable rack in center of frame supports, secure LOCK and RIDE® expansion anchors ⑧, then tighten fasteners installed in Steps 8-9.

