

BOX LINER KIT



P/N 2881484

APPLICATION

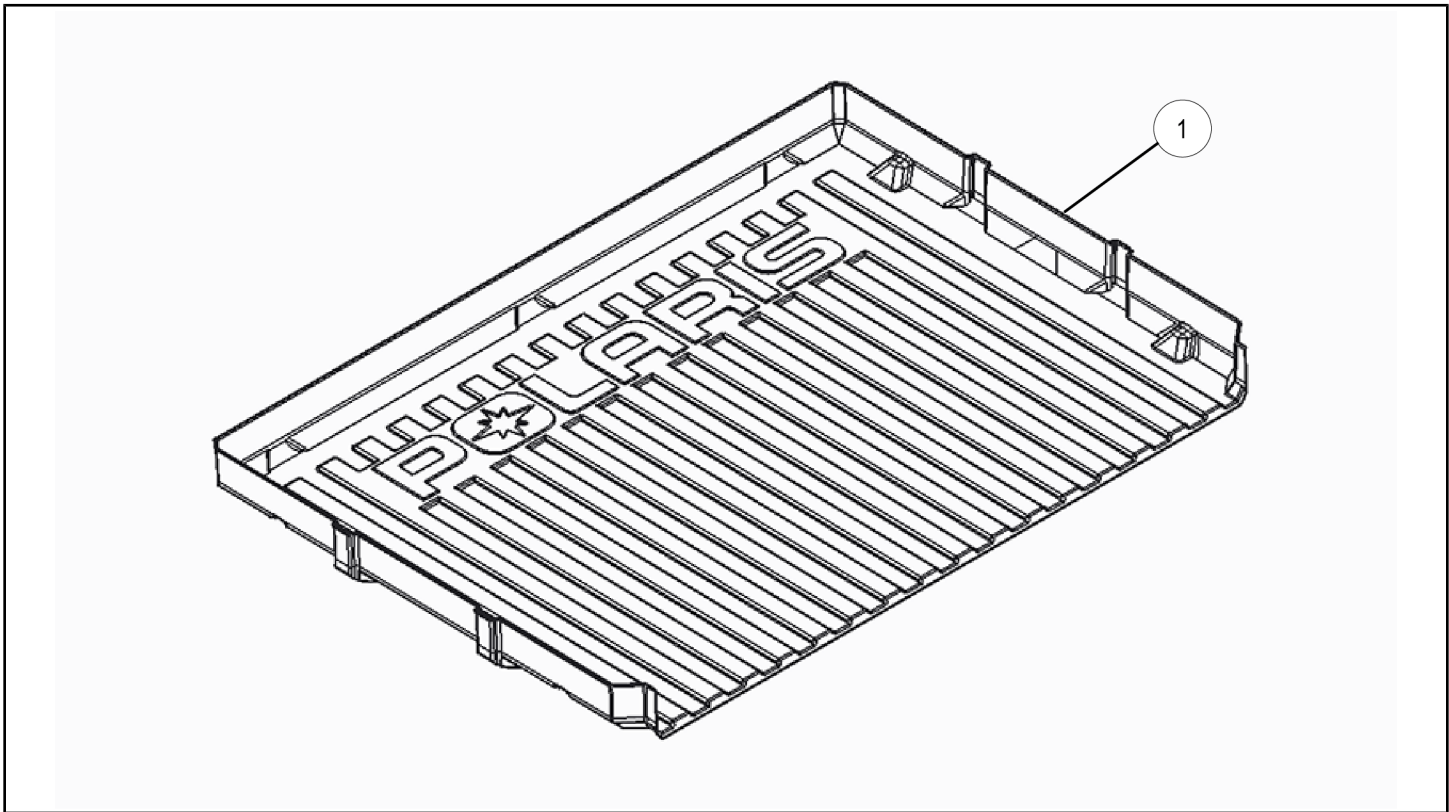
All Full-Size *RANGER* MY13 and Newer

BEFORE YOU BEGIN

Read these instructions and check to be sure all parts and tools are accounted for. Please retain these installation instructions for future reference and parts ordering information.

KIT CONTENTS

This Kit includes:



REF	QTY	PART DESCRIPTION	PART NUMBER
1	1	Box Liner	
		Instructions	9926777

TOOLS REQUIRED

None

IMPORTANT

Your BOX LINER KIT is exclusively designed for your vehicle. Please read the installation instructions thoroughly before beginning. Installation is easier if the vehicle is clean and free of debris. For your safety, and to ensure a satisfactory installation, perform all installation steps correctly in the sequence shown.

INSTALLATION INSTRUCTIONS

CAUTION

Do not trailer vehicle with box liner installed. Airflow, vibration, or other factors may cause liner to come out of vehicle bed and cause an accident, resulting in personal injury or death.

1. Place vehicle in "PARK". Turn key to "OFF" position and remove from vehicle.
2. Remove all objects, dirt, and debris from vehicle bed.
3. Place liner into bed, ensuring liner is fully seated at each corner.