

# IN-CAB GUN MOUNT KIT



**P/N 2881537**

## APPLICATION

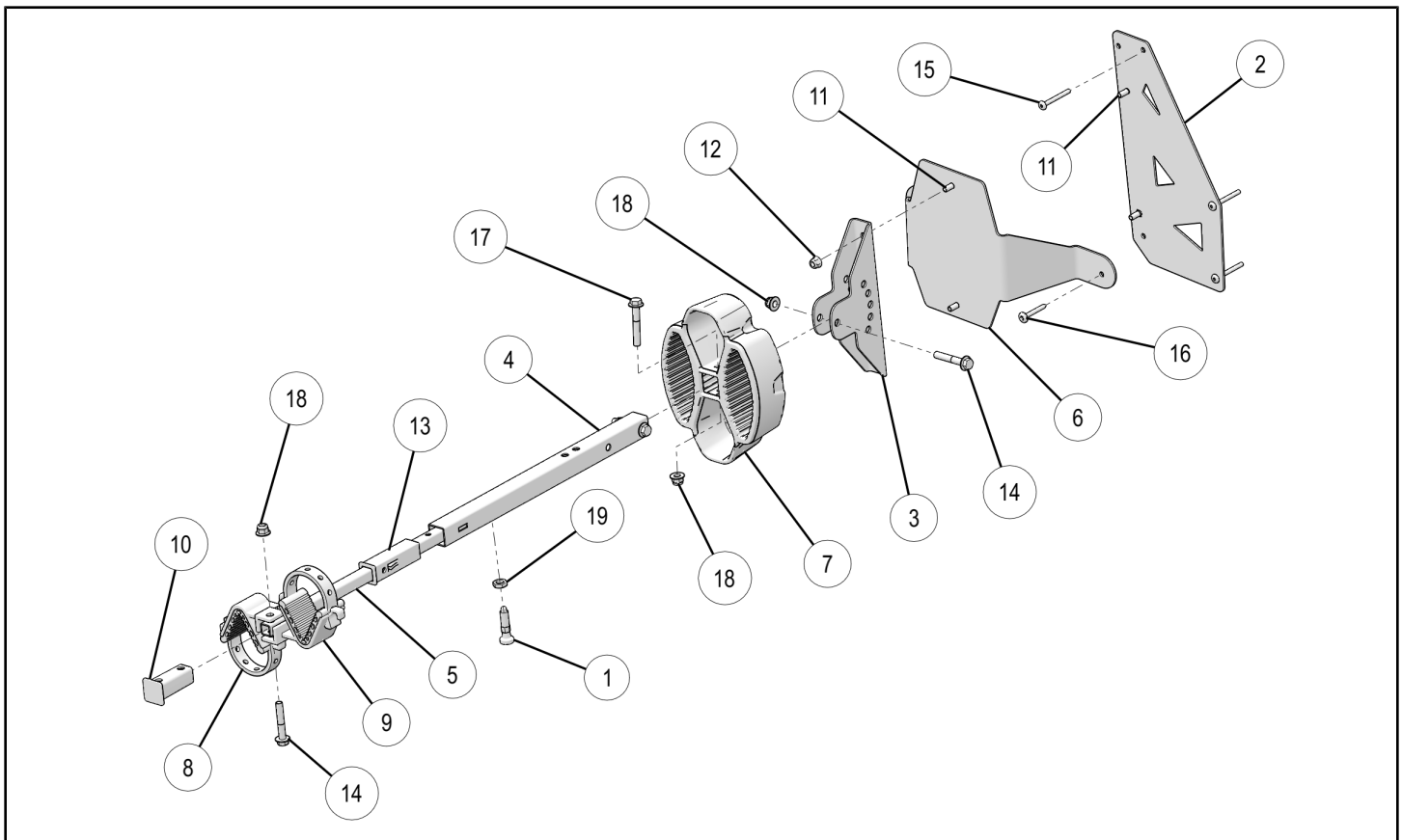
All Full-Size *RANGER* MY13 and Newer,  
All Mid-Size *RANGER* MY11 and Newer

## BEFORE YOU BEGIN

Read these instructions and check to be sure all parts and tools are accounted for. Please retain these installation instructions for future reference and parts ordering information.

## KIT CONTENTS

This Kit includes:



REF	QTY	PART DESCRIPTION	PART NUMBER
1	1	Pin Assembly	-
2	1	Floor Bracket (Mid-Size <i>RANGER</i> )	-
3	1	Base Plate	-
4	1	Tube, Lower	-
5	1	Tube, Upper	-
6	1	Floor Bracket (Full-Size <i>RANGER</i> )	-
7	1	Butt Holder, Gun	-

REF	QTY	PART DESCRIPTION	PART NUMBER
8	2	Belt, Gun Forearm	-
9	2	Clamp, Gun Forearm	-
10	1	Cap	-
11	4	Stud - M8 X 1.25 X 25	-
12	2	Nut, Flange - M8 X 1.25	-
13	1	Bushing	5450250
14	4	Screw, Hex Flange - M10 X 1.5 X 60	7518826
15	3	Screw, Torx® - M6 X 1.0 X 60	7518882
16	2	Screw, Torx® - M6 X 1.0 X 50	7519841
17	2	Screw, Hex Flange - M10 X 1.5 X 65	7519903
18	6	Nut, Hex Flange - M10 X 1.5	7547313
19	1	Nut, Welded - M12 X 1.75	7547647
	1	Instructions	9926781

## TOOLS REQUIRED

- Safety Glasses
- Socket Set, Metric
- Torx® Driver Set
- Wrench Set, Metric

## IMPORTANT

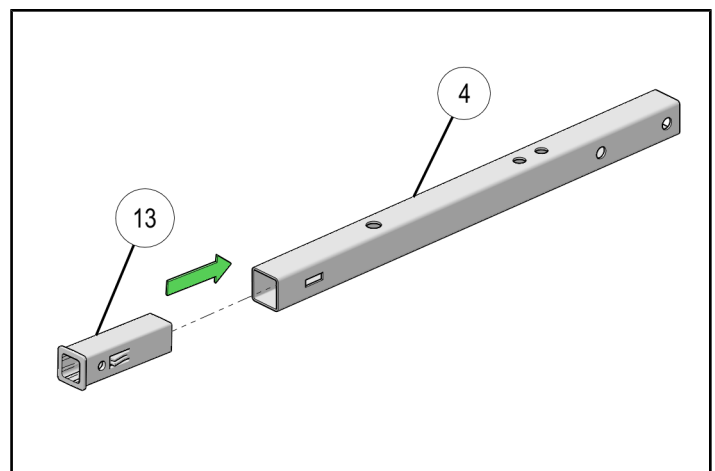
Your IN-CAB GUN MOUNT KIT is exclusively designed for your vehicle. Please read the installation instructions thoroughly before beginning. Installation is easier if the vehicle is clean and free of debris. For your safety, and to ensure a satisfactory installation, perform all installation steps correctly in the sequence shown.

## ASSEMBLY TIME

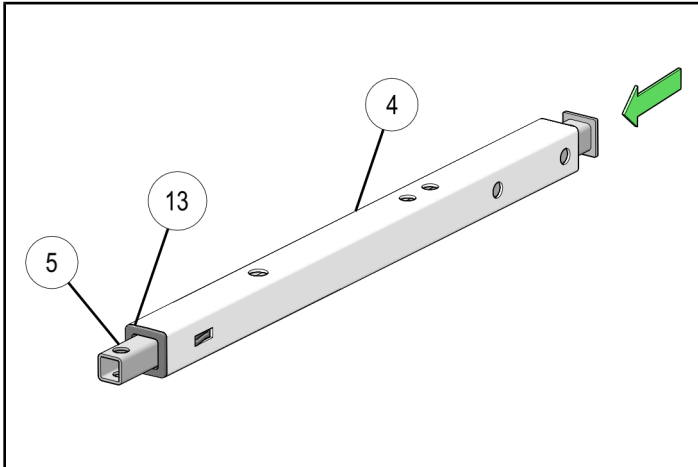
Approximately 20 minutes

## INSTALLATION INSTRUCTIONS

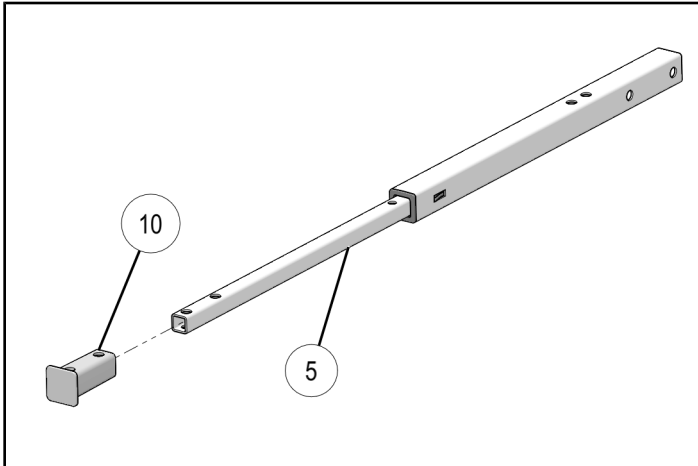
1. Place vehicle in "PARK". Turn key to "OFF" position and remove from vehicle.
2. Insert bushing ⑬ into upper end of tube ④ as shown. Locking tabs will snap in place when fully seated.



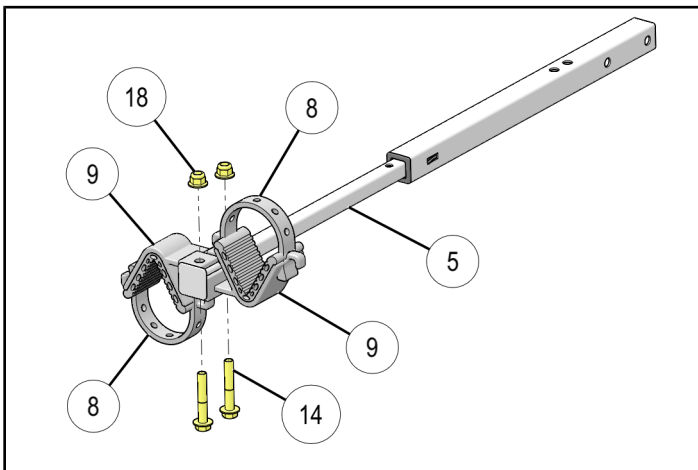
3. Insert tube ⑤ into lower end of tube ④, through bushing ⑬, and out upper end of tube ④ as shown.



4. Insert cap ⑩ on upper end of tube ⑤ as shown. Ensure cap is fully seated so screw holes are aligned.

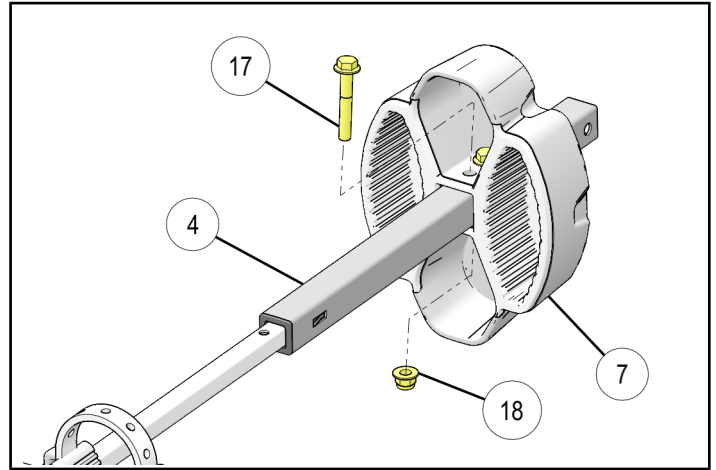


5. Attach gun forearm clamps ⑨ to upper end of tube ⑤ using two screws ⑭ and nuts ⑱ as shown.



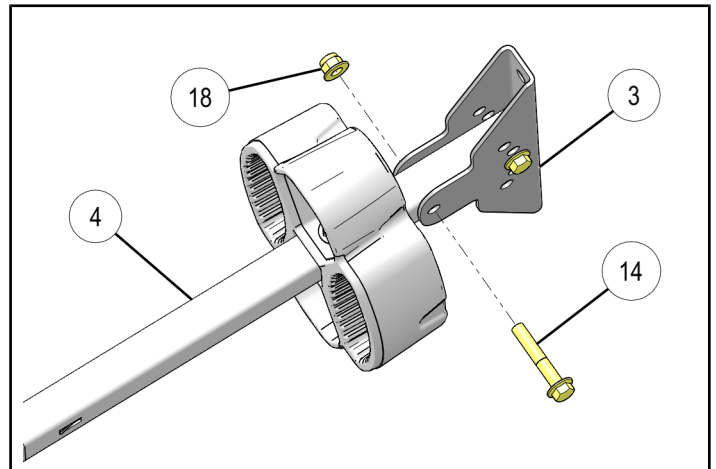
6. Attach gun forearm strap ⑧ to each clamp ⑨.

7. Attach gun butt holder ⑦ to tube ④ using two screws ⑰ and nuts ⑱ as shown.



8. Install lower end of tube ④ to base plate ③ using two screws ⑰ and nuts ⑱ as shown.

**NOTE**  
Lower screw and nut may be located in any of five base plate holes to provide angle adjustment.



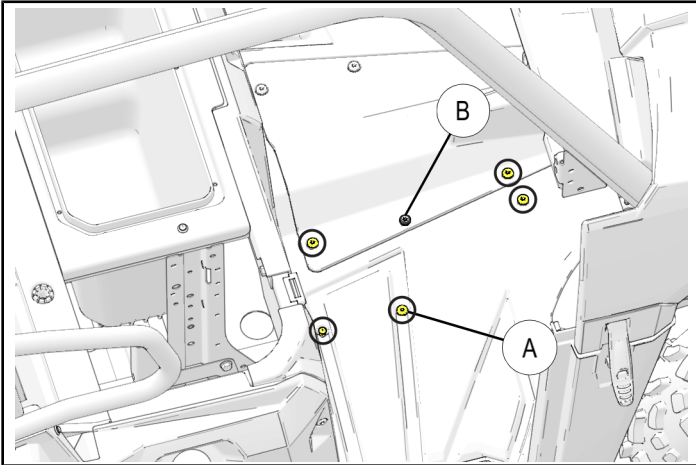
9. Install floor bracket.

a. Mid-Size *RANGER*:

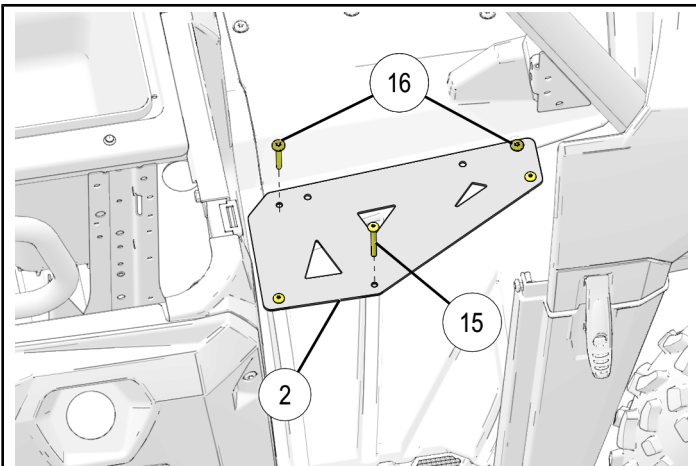
- i. Remove five fasteners (A) from RH side of drive shaft cover and floor panel as shown. Fasteners will not be reused.

**NOTE**

Fastener (B) to remain in drive shaft cover.

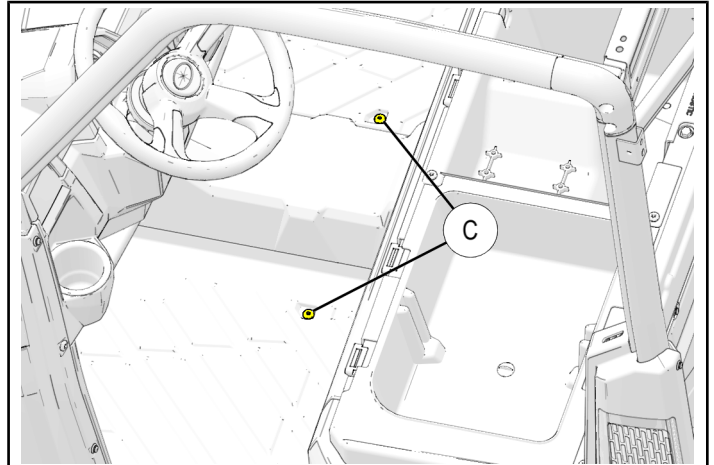


- ii. Install floor bracket ② using two screws ⑯ in LH side of bracket and three screws ⑮ in RH side of bracket as shown.

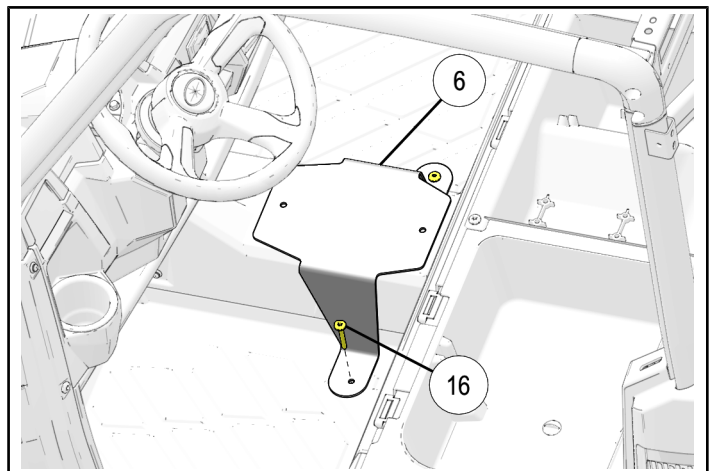


b. Full-Size *RANGER*:

- i. Remove two fasteners (C) from floor panel as shown. Fasteners will not be reused.

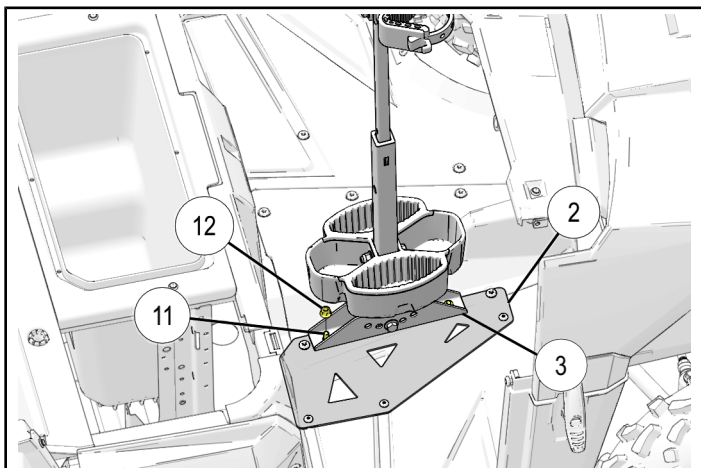


- ii. Install floor bracket ⑥ using two screws ⑯ as shown.

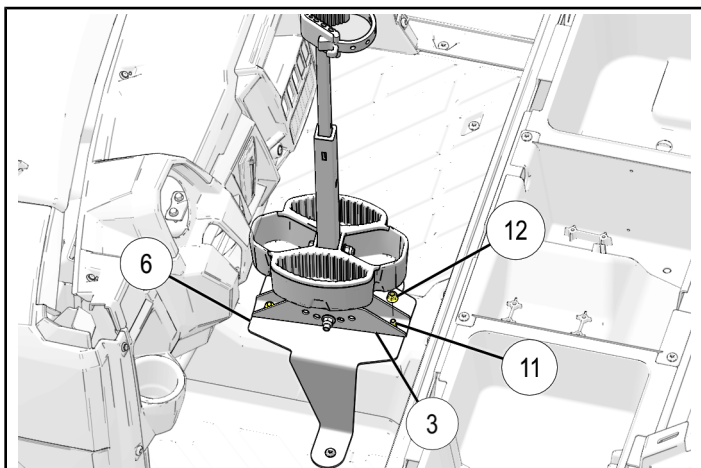


10. Install gun mount assembly to floor bracket ② ⑥ by inserting floor bracket studs ⑪ through fastener holes in base plate ③ as shown. Secure with nuts ⑫.

a. Mid-Size *RANGER*:



b. Full-Size *RANGER*:



11. Adjust height as desired using pin ①.

