

BED RAILS KIT



P/N 2882053

APPLICATION

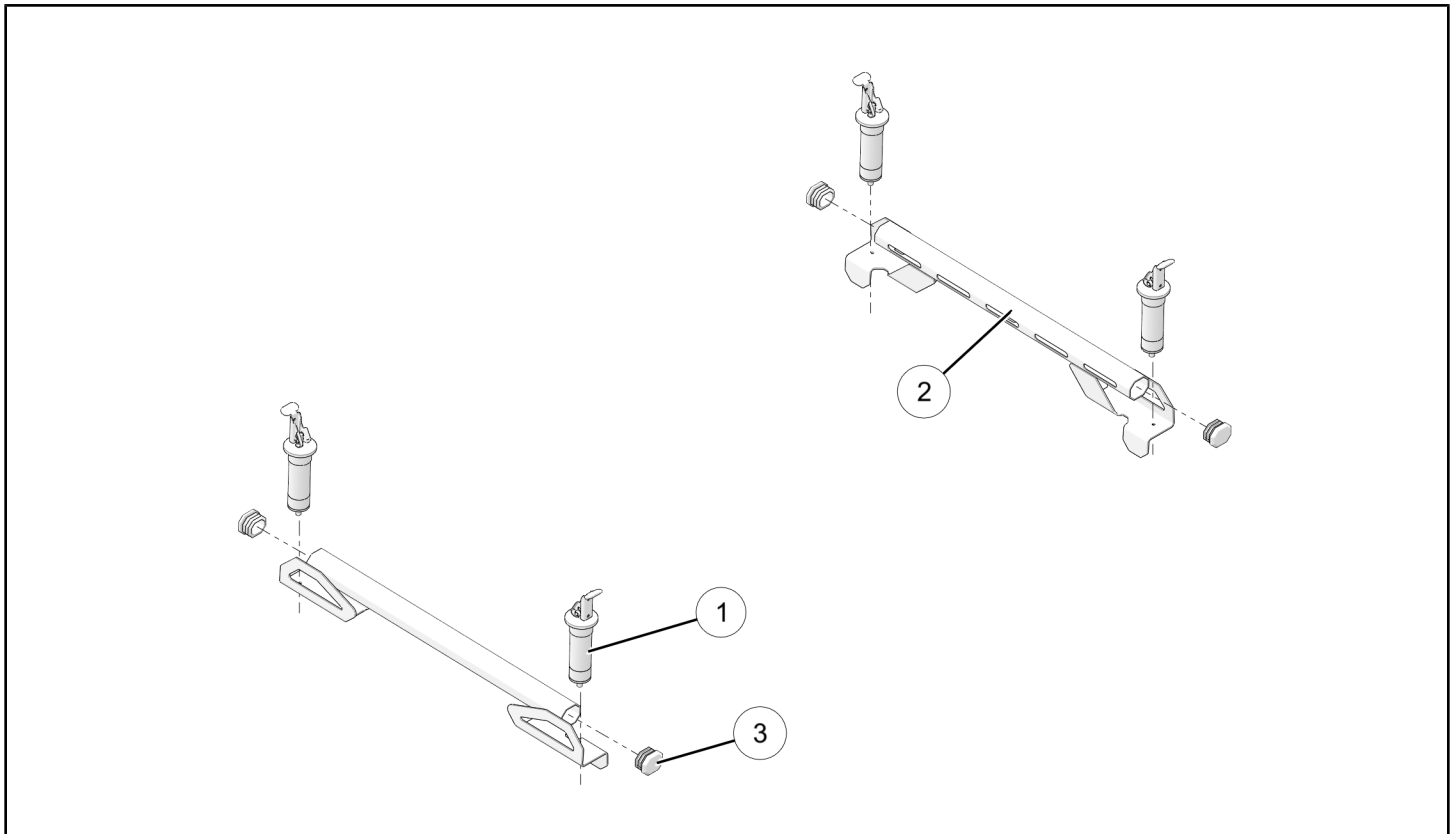
Verify accessory fitment at Polaris.com.

BEFORE YOU BEGIN

Read these instructions and check to be sure all parts and tools are accounted for. Please retain these installation instructions for future reference and parts ordering information.

KIT CONTENTS

This Kit includes:



REF	QTY	PART DESCRIPTION	PART NUMBER
1	4	Expansion Anchor Kit	2875250
2	2	Bed Rail	-
3	4	Cap	-
	1	Instructions	9927216

TOOLS REQUIRED

- Safety Glasses
- Wrench Set, Metric
- Socket Set, Metric

IMPORTANT

Your BED RAILS KIT is exclusively designed for your vehicle. Please read the installation instructions thoroughly before beginning. Installation is easier if the vehicle is clean and free of debris. For your safety, and to ensure a satisfactory installation, perform all installation steps correctly in the sequence shown.

ASSEMBLY TIME

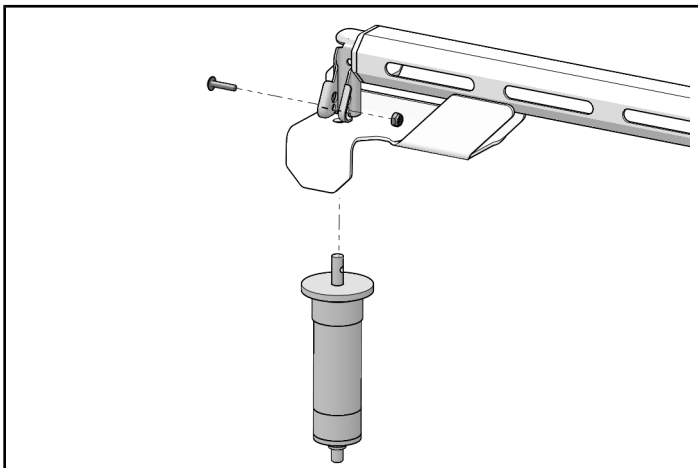
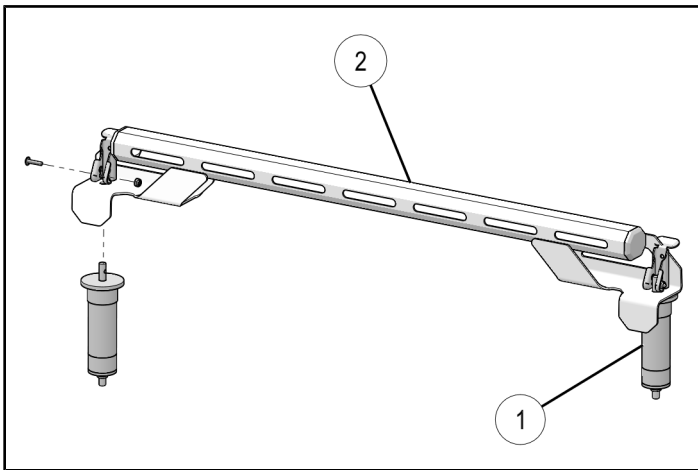
Approximately 15 minutes

INSTALLATION INSTRUCTIONS

1. Place vehicle in "PARK". Turn key to "OFF" position and remove from vehicle.
2. Assemble LOCK & RIDE® expansion anchor ① to each end of bed rail ② as shown.

NOTE

Refer to instructions included with LOCK & RIDE® expansion anchors.



3. Insert bed rails ② into bed until expansion anchors ① are fully seated, then depress upper cams to lock in place as shown. If installation is loose, remove bed rails from vehicle, tighten nuts at base of expansion anchors, and reinstall.

NOTE

Installation in Full-Size Ranger shown; Mid-Size Ranger similar.

