

SPORT ROOF KIT



P/N 2879953, 2880635

APPLICATION

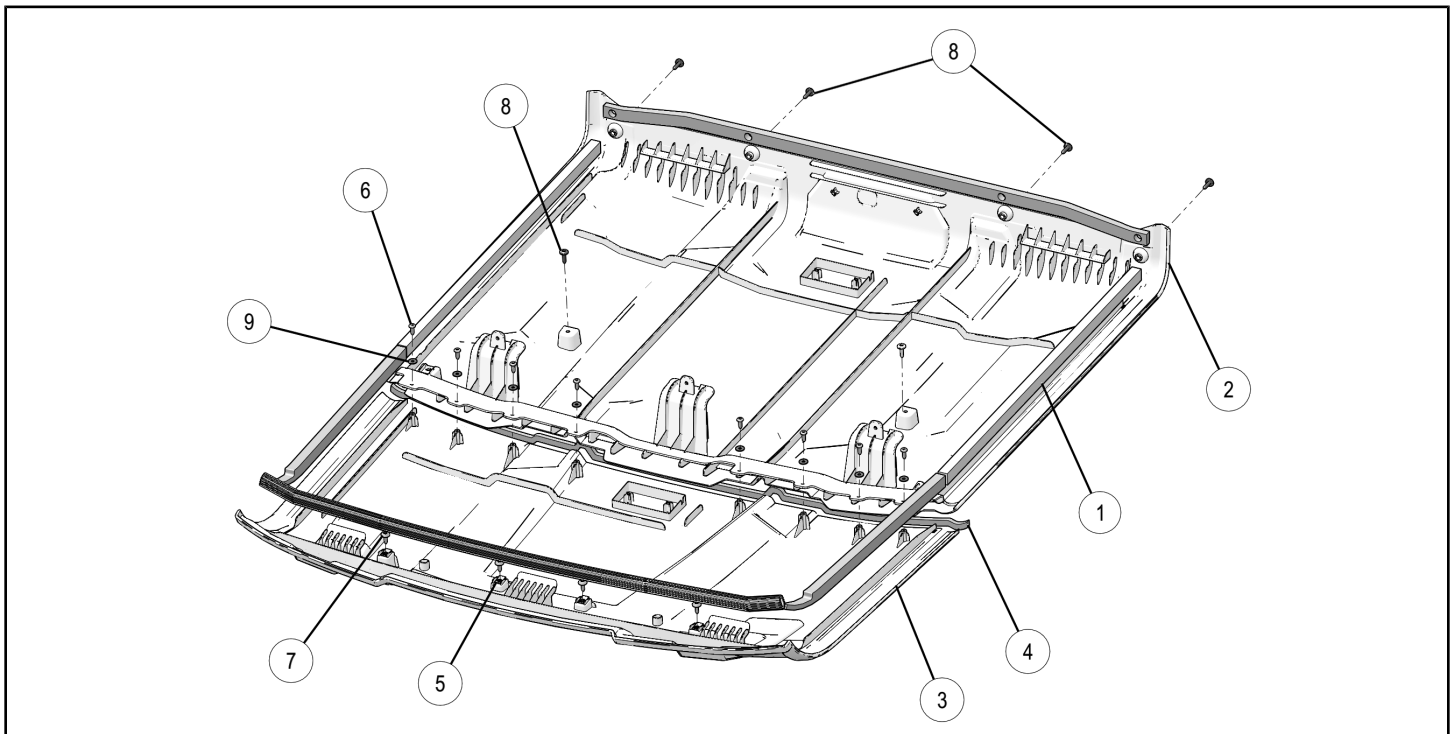
RANGER 570 CREW

BEFORE YOU BEGIN

Read these instructions and check to be sure all parts and tools are accounted for. Please retain these installation instructions for future reference and parts ordering information.

KIT CONTENTS

This Kit includes:



REF	QTY	PART DESCRIPTION	PART NUMBER
1	1	Foam Seal Kit, Roof Perimeter	2205554
2	1	Rear Panel, Roof	5451337 (Black) 5451918 (Camo)
3	1	Front Panel, Roof	5451369 (Black) 5451920 (Camo)
4	1	Foam Seal, Roof Front Panel to Rear Panel	5814120
5*	4	U-Clip, Speed Nut	7081305
6*	8	Torx Screw, Hi/Lo - #14 X 3/4	7519045
7*	4	Torx Screw - M6 X 1.0 X 20	7519112
8*	6	Torx Screw - M6 X 1.0 X 25	7519650

REF	QTY	PART DESCRIPTION	PART NUMBER
9*	8	Washer - 0.20 X 0.67 X 0.048	7556034
	1	Instructions	9925231

Items marked (*) are included in Hardware Kit PN 2205553.

TOOLS REQUIRED

- Safety Glasses
- Torx Driver Set

IMPORTANT

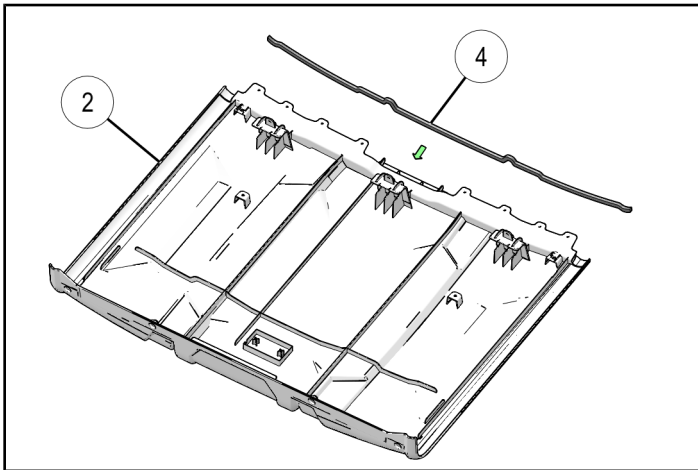
Your SPORT ROOF KIT is exclusively designed for your vehicle. Please read the installation instructions thoroughly before beginning. Installation is easier if the vehicle is clean and free of debris. For your safety, and to ensure a satisfactory installation, perform all installation steps correctly in the sequence shown.

APPROXIMATE ASSEMBLY TIME

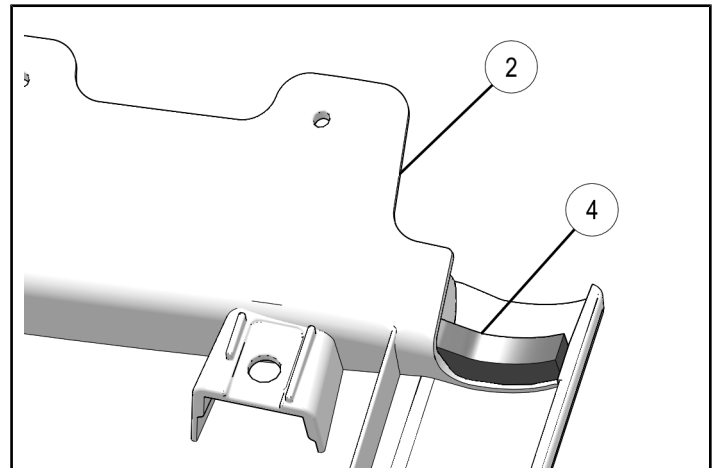
Approximately 15–20 minutes

INSTALLATION INSTRUCTIONS

1. Place vehicle in "PARK". Turn key to "OFF" position and remove from vehicle.
2. Remove roof panels, front ③ and rear ②, from shipping box and place upside down on flat surface. Ensure surface is clean and will not damage roof panels.
3. If not already installed, press sealing foam ④ into front channel of rear roof ② as shown.



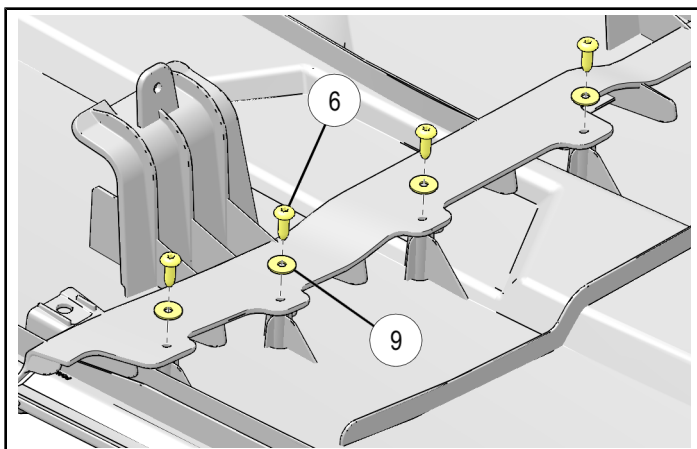
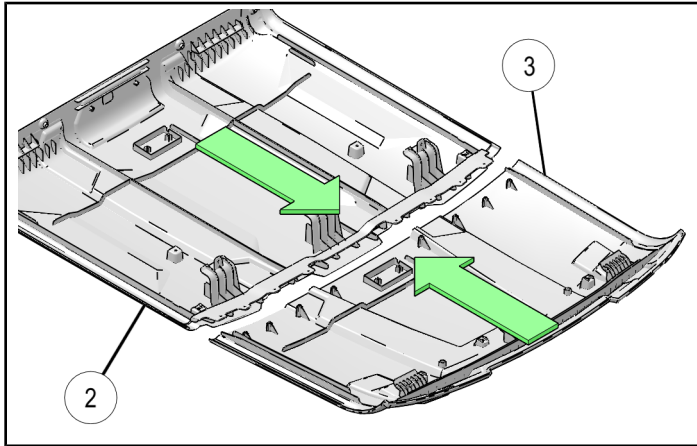
4. Optional: Sealant may be applied to rear roof ② at each end of sealing foam ④ as shown.



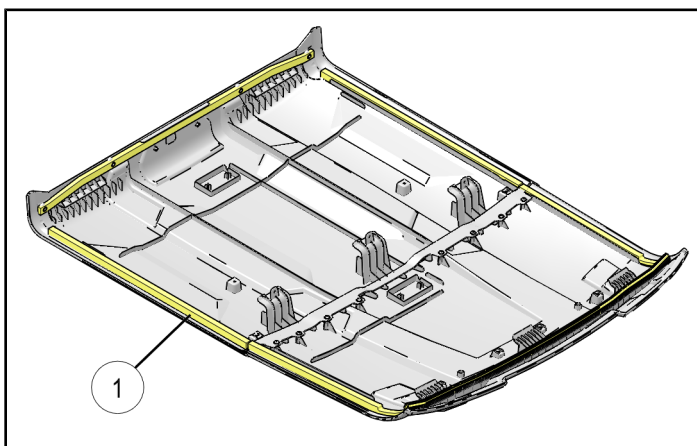
- With help of an assistant, slide rear roof ② and front roof ③ together, compressing foam seal ④. Align mounting holes and install eight screws ⑥ with washers ⑨ as shown. Torque to specification.

TORQUE

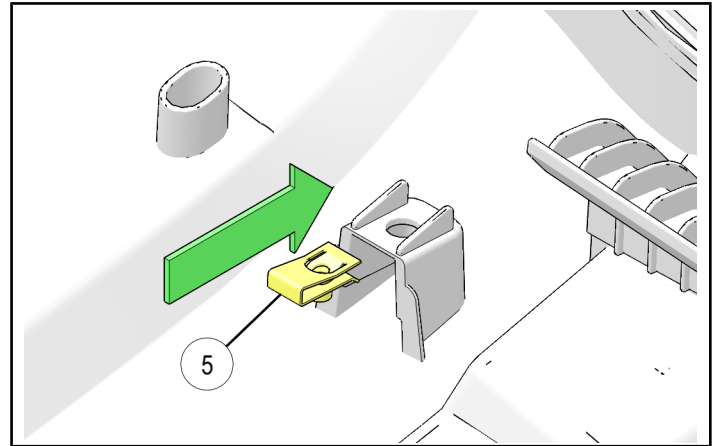
20-24 in-lbs. (2.3-2.7 Nm)



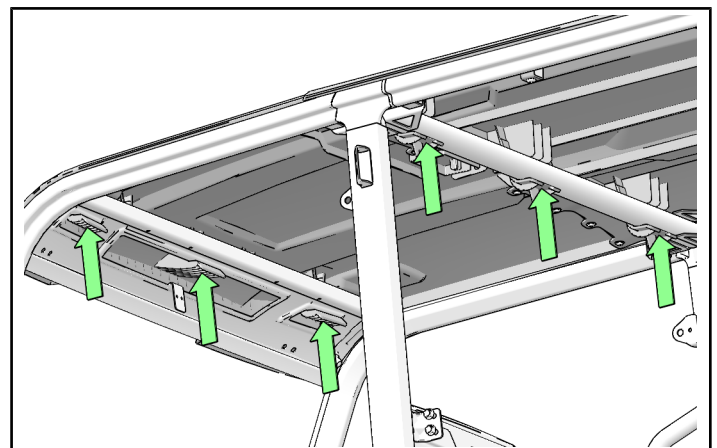
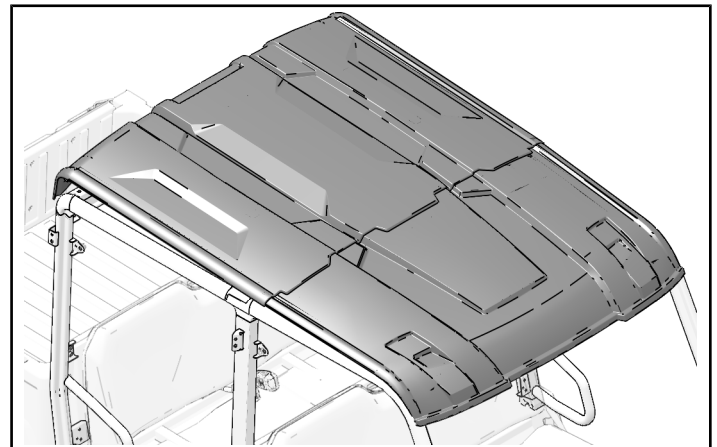
- If needed, clean lower edges of roof panels at locations where foam seals from kit ① will be installed. Install foam seals along panel edges as shown.



- Install four U-clip nuts ⑤ into front roof mounting pillars. Ensure nuts are oriented as shown.



- With help of an assistant, place combined roof assembly on top of vehicle ROPS so that front retaining hooks engage slots in upper mount plate, and middle retaining hooks are on forward side of ROPS cross-member as shown.

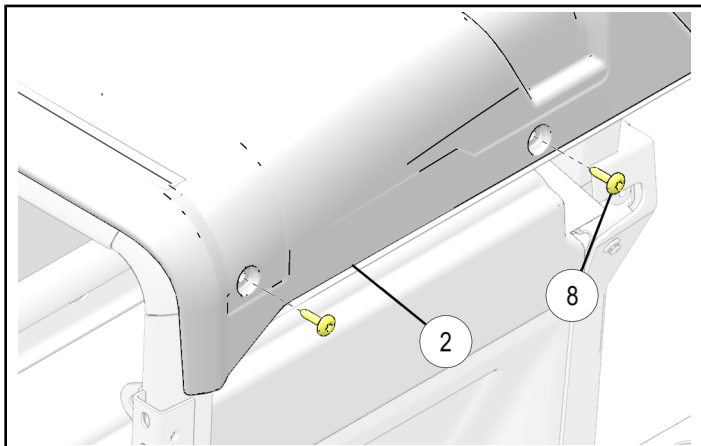


- With help of an assistant, slide roof assembly rearward until all retaining hooks are fully seated in vehicle ROPS as shown.

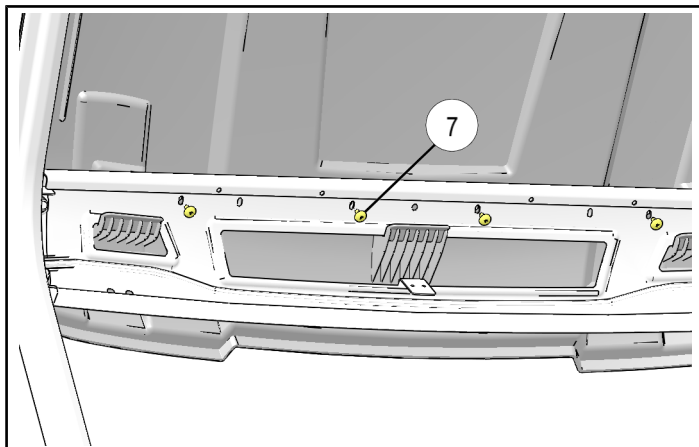
10. Loosely install rear edge of rear roof panel ② to ROPS using four screws ⑧ as shown

NOTE

Two additional screws ⑧ are provided for installation of headliner (sold separately) to underside of rear roof panel.



11. Loosely install four screws ⑦ through front upper mount plate into U-clip nuts ⑤ as shown.



12. Torque all roof screws ⑦ ⑧ to specification.

TORQUE

12-15 in-lbs. (1.4-1.7 Nm)