

# TIPOUT GLASS KIT

P/N 2880442, 2881784

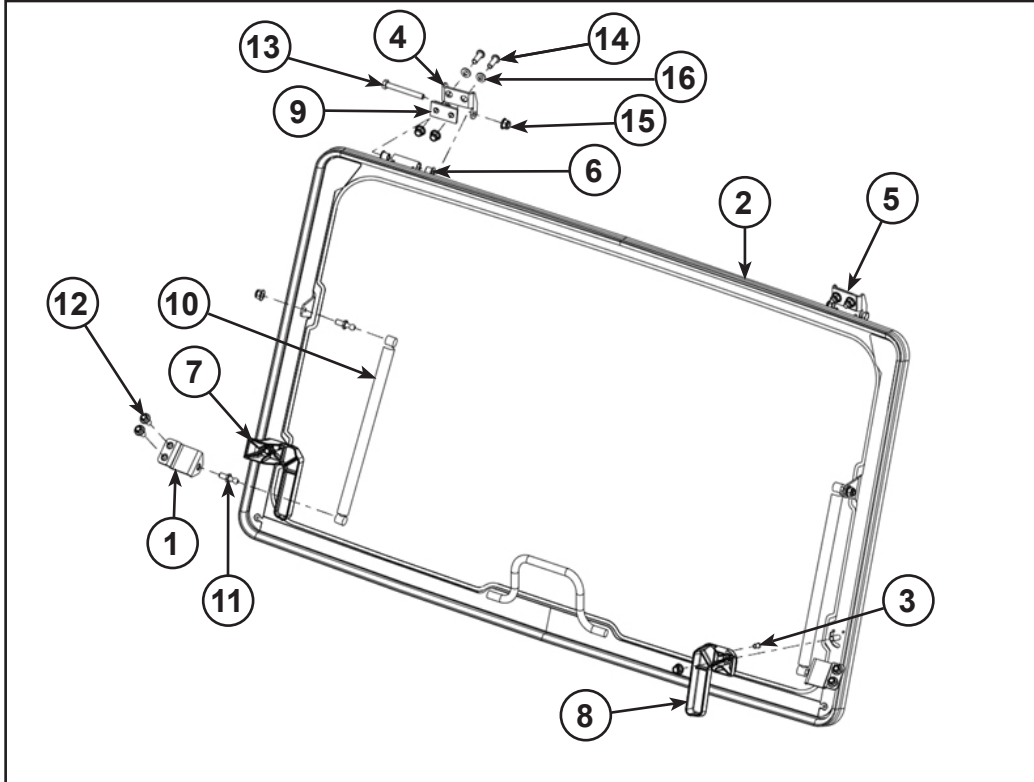
Application

RANGER 570 AND RANGER ETX

**POLARIS**

ENGINEERED PARTS  
ACCESSORIES & APPAREL

Before you begin, read these instructions twice and check to be sure all parts and tools are accounted for. Please retain these installation instructions for future reference and parts ordering information.



## Kit Contents:

<u>Ref</u>	<u>Qty</u>	<u>Part Description</u>	<u>Part Number</u>
1	2	Windshield Weldment Tip, Lower Shock Mount	1020777
2	1	Windshield Glass Assembly, Tipout	2635418
3	2	Detent Assembly, Lock and Ride, Windshield	2688412
4	1	Hinge Bracket, LH, Tipout	5259767
5	1	Hinge Bracket, RH, Tipout	5259768
6	4	Windshield Bushing, 12 MM ODX8 MM ID	5451523
7	1	Tipout Handle, LH	5451524
8	1	Tipout Handle, RH	5451525
9	2	Base Grommet, Window Mount	5522061
10	2	Gas Shock, Tipout	7043889
11	4	Ball, End, M8X1.25	7081839
12	4	Screw-HXFL-M8X1.25X20 10.9 ZPB	7517838
13	2	Screw-M8X1.25X70 8.8 HH ZOD	7518992
14	4	Screw-TXBH-M8X1.25X25 8.8 ZPB	7519747
15	10	Nut-HXFL-M8X1.25 8 ZB3 Nyloc	7547454
16	4	Washer-8.4X16.0X1.6	7556043
	1	Instructions	9925361

**Tools Required:**

Safety Goggles  
Metric Wrench Set

Metric Socket Set  
Torque Drivers

**APPROXIMATE ASSEMBLY TIME:** 15 minutes

**IMPORTANT:** Your Polaris TIPOUT GLASS KIT is exclusively designed for your vehicle. Please read the installation instructions thoroughly before beginning. Installation is easier if the vehicle is clean and free of debris. For your safety and to ensure a satisfactory installation, perform all installation steps correctly and in the sequence shown.

**INSTALLATION INSTRUCTIONS:**

1. Place the vehicle in "PARK". Turn the key to "OFF" position and remove from the vehicle.
2. Install the windshield weldment (PN 1020777) with two M8 screws (PN 7517838) and ball end (PN 7081839). Do not tighten the screws.

**NOTE:** Torque the screws to 16 ft. lbs. (21.7 Nm). Figure 1.

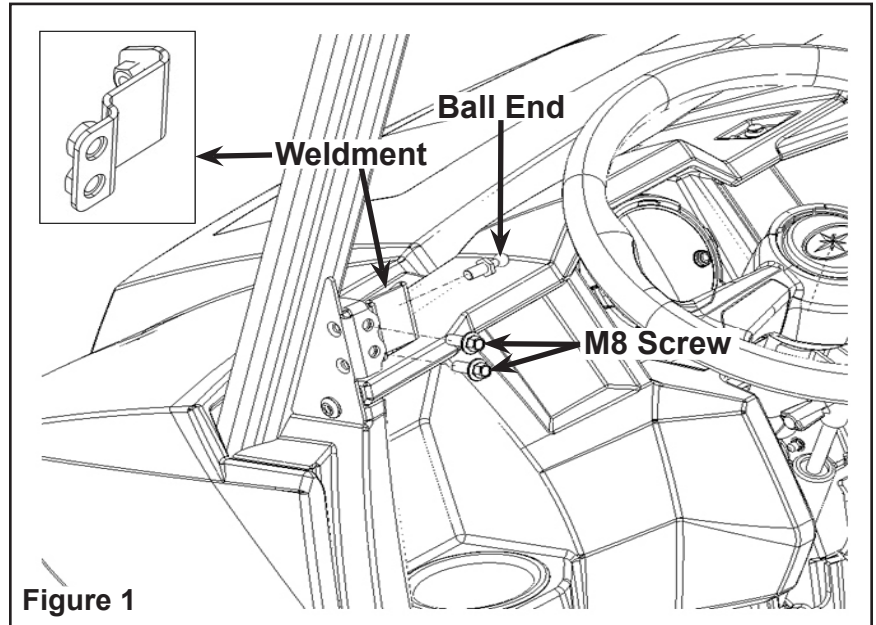


Figure 1

3. Turn the clamps inside. Figure 2.

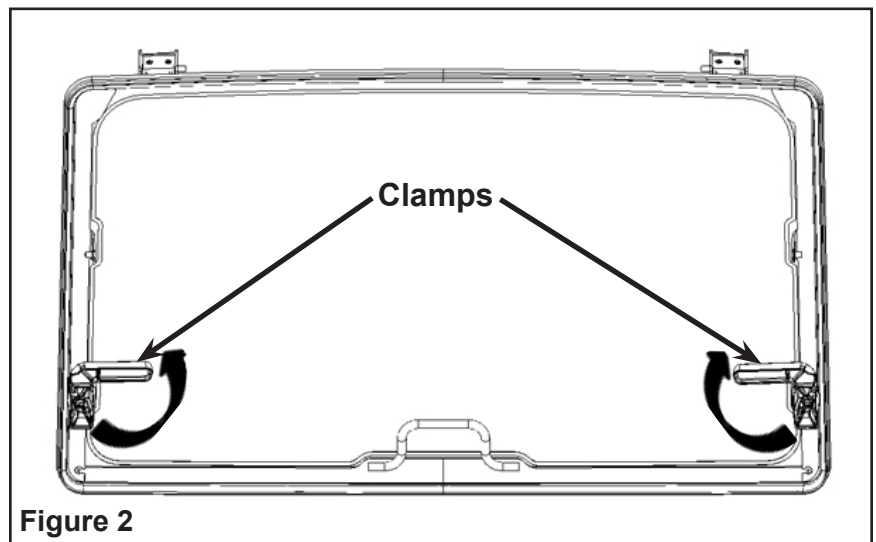
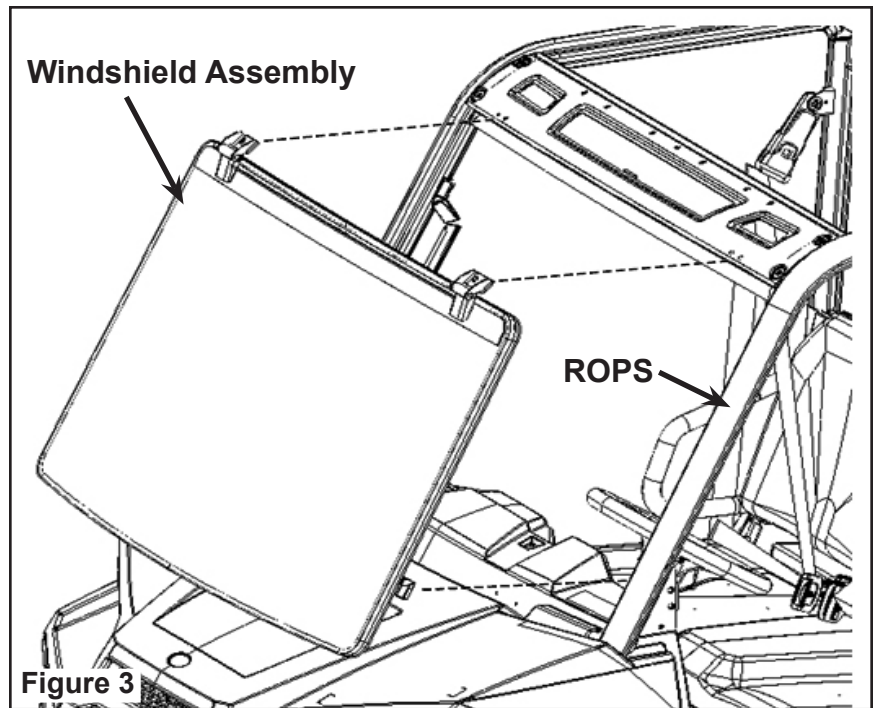


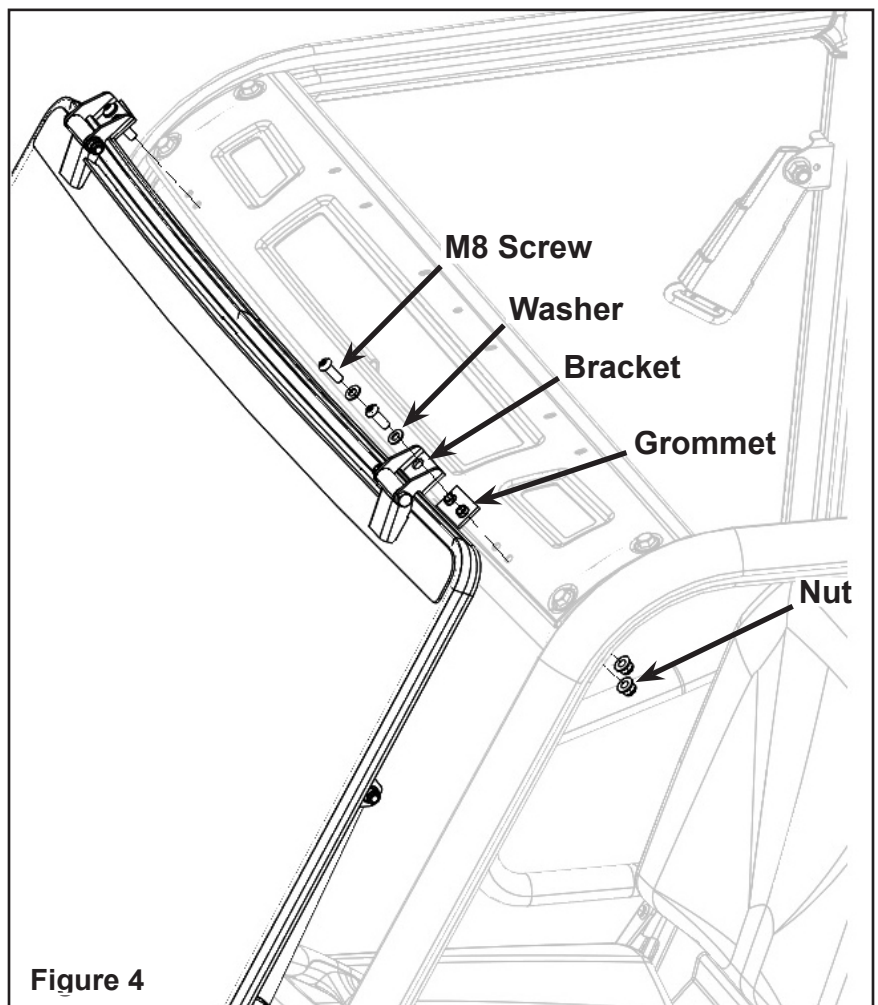
Figure 2

4. Push the windshield assembly onto the ROPS. Figure 3.

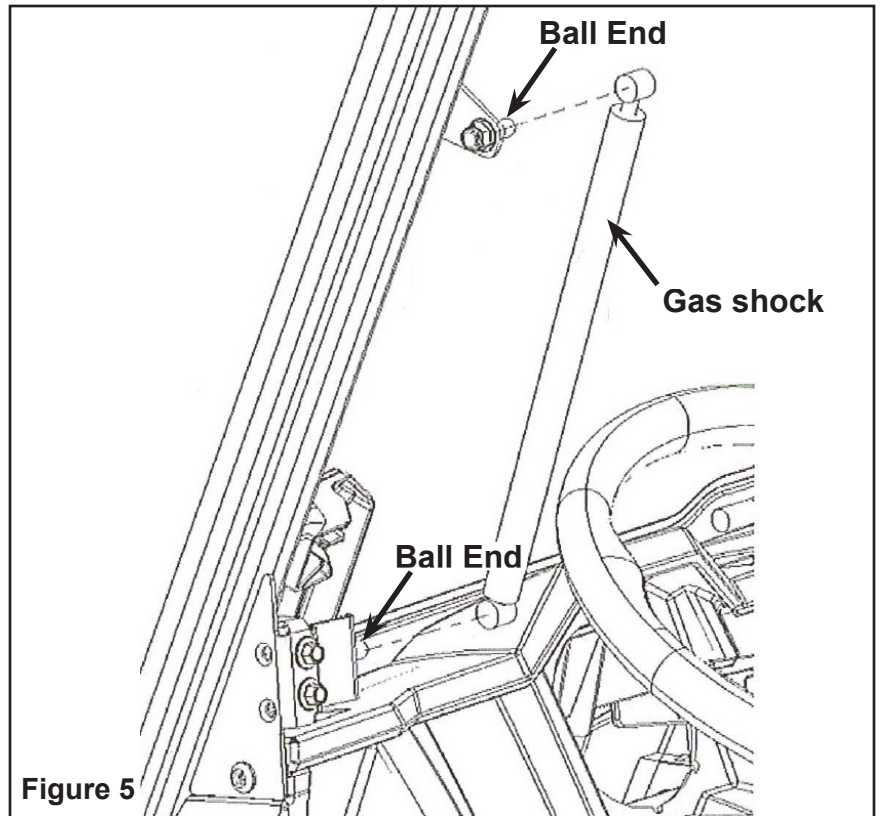


5. Install the mount plate to the windshield clamp with M8 screws (PN 7519747), M8 nuts (PN 7547454), grommet base (PN 5522061) and washers (PN 7556043).

**NOTE:** Torque the screws to 16 ft. lbs. (21.7 Nm). Figure 4.



6. Snap on the gas shock (PN 7043889) onto the ball end (PN 7081839) assembled to the bracket. Figure 5.



7. After installation of windshield turn the clamps down again to hold the windshield fully on ROPS. Figure 6.

