

TIP-OUT GLASS WINDSHIELD



P/N 2882189

APPLICATION

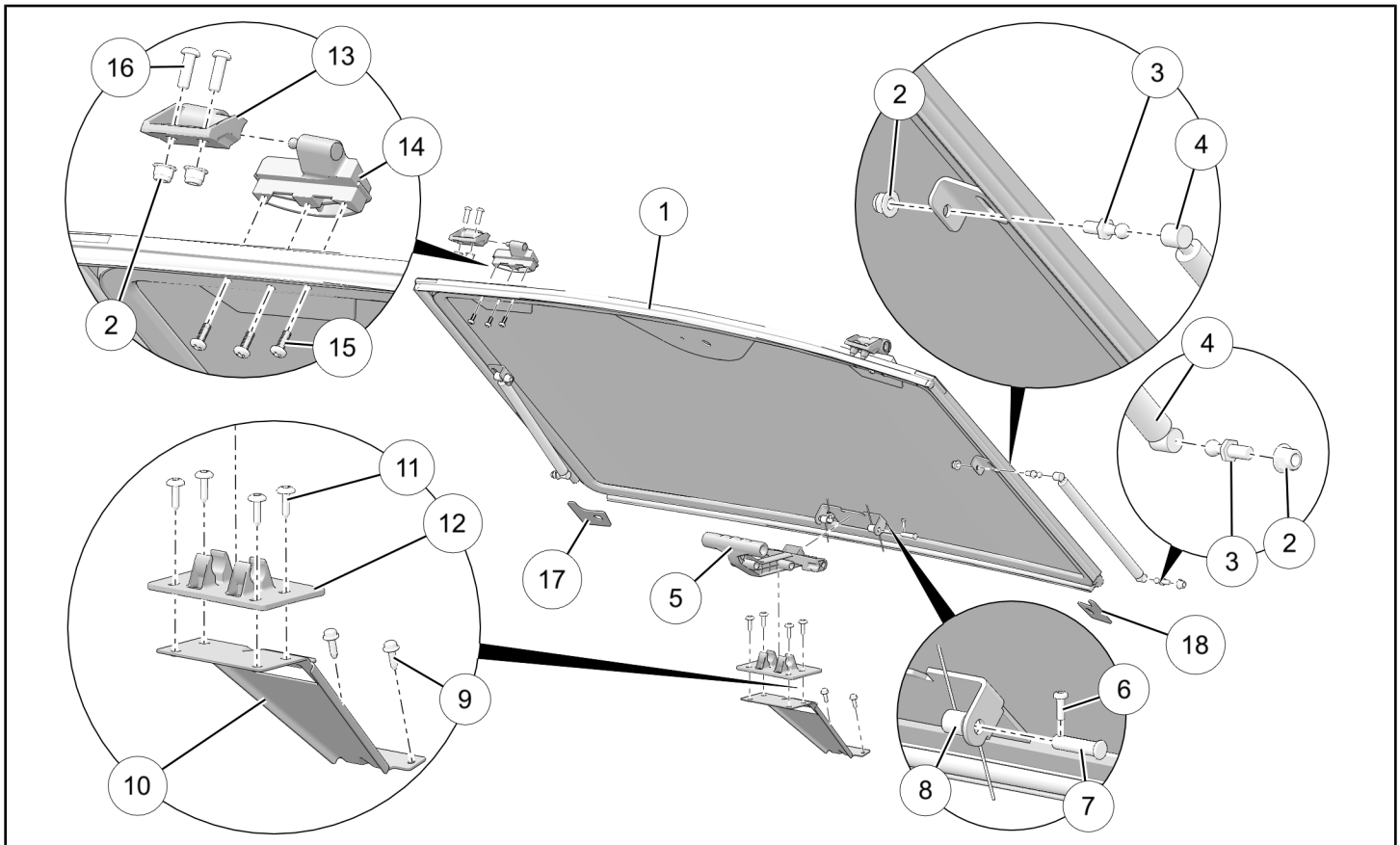
Verify accessory fitment at Polaris.com.

BEFORE YOU BEGIN

Read these instructions and check to be sure all parts and tools are accounted for. Please retain these installation instructions for future reference and parts ordering information.

KIT CONTENTS

This Kit includes:



REF	QTY	PART DESCRIPTION	PART NUMBER	INCLUDED IN HARDWARE KIT
1	1	Windshield, Tip-Out Glass	-	-
2	8	Nut, Hex Flange, Locking - M8 X 1.25	7547454	2207158 (qty 4) 2207159 (qty 4)
3	4	Fitting, Ball - M8 X 1.25	7081839	2207158
4	2	Shock	7043889	2207158
5	1	Handle	5452827	-
6	2	Screw, Torx® Pan Head, 8-32 X 1/2	7511866	2207157
7	2	Pin, Pivot	7519743	2207157

REF	QTY	PART DESCRIPTION	PART NUMBER	INCLUDED IN HARDWARE KIT
8	1 1	Spring, Handle, LH (not shown) Spring, Handle, RH	7043895 7043894	2207157 2207157
9	2	Screw, Hex Flange - M6 X 1.0 X 20	7518529	-
10	1	Backing Bracket	5264353	2207157
11	4	Screw, Torx® Truss Head - M6 X 1.0 X 25	7519650	2207157
12	1	Base, Handle	5454227	2207157
13	1 1	Hinge, Vehicle Side, LH Hinge, Vehicle Side, RH (not shown)	5633878 5633879	2207159 2207159
14	1 1	Hinge, Windshield Side, LH Hinge, Windshield Side, RH (not shown)	- -	- -
15	6	Screw, Torx® Truss Head - M6 X 1.0 X 16	-	-
16	4	Screw, Torx® Button Head - M8 X 1.25 X 25	7519747	2207159
17	1	Seal, Adhesive, LH	5814712	-
18	1	Seal, Adhesive, RH	5814713	-
	1	Instructions	9927349	-

TOOLS REQUIRED

- Safety Glasses
- Drill
- Drill Bit: 5/16 inch (8 mm)
- Hex Key Set, Metric
- Pliers, Slip Joint
- Screwdriver Set, Torx®
- Socket Set, Metric
- Wrench Set, Metric

IMPORTANT

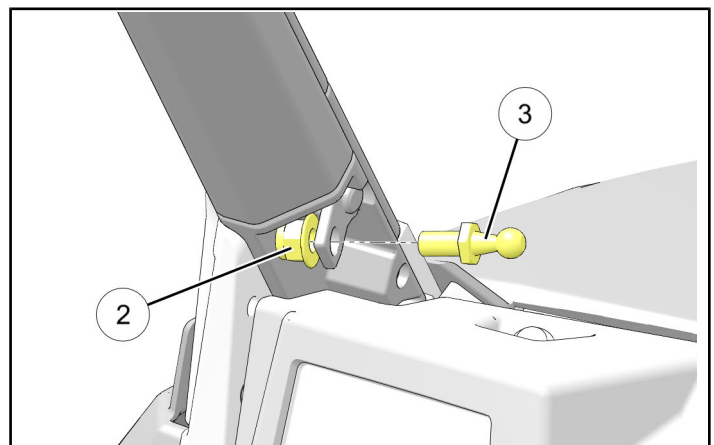
Your Tip-Out Glass Windshield is exclusively designed for your vehicle. Please read the installation instructions thoroughly before beginning. Installation is easier if the vehicle is clean and free of debris. For your safety, and to ensure a satisfactory installation, perform all installation steps correctly in the sequence shown.

INSTALLATION INSTRUCTIONS

1. Shift vehicle transmission into "PARK". Turn ignition switch to "OFF" position and remove key.
2. Install ball fitting ③ to lower end of LH ROPS A-pillar using nut ②. Ensure proper orientation; ball should be inboard. Repeat for RH side (ball inboard).

TIP

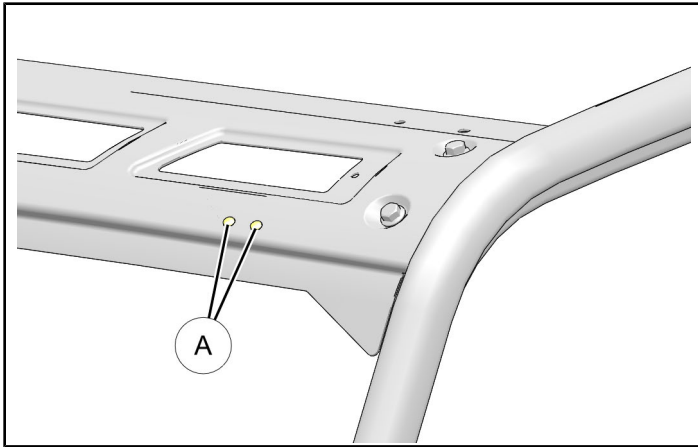
Temporarily block gap between ROPS fitting and upper dash with clean cloth or tape to prevent nut from accidentally falling behind dash.



- Remove two plugs (A) from LH side of ROPS visor. Repeat for RH side. Plugs will not be reused.

TIP

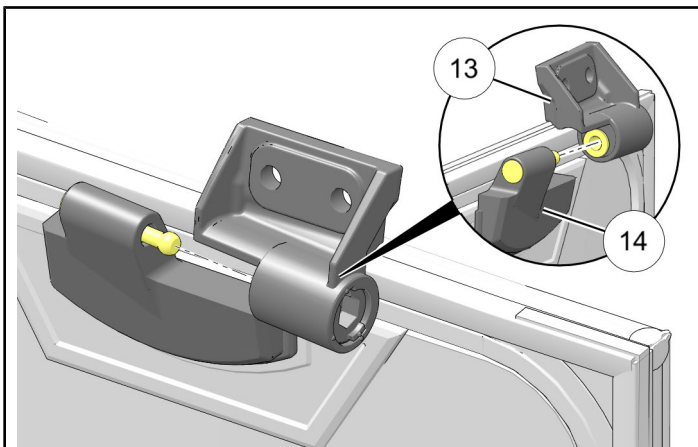
From interior of visor squeeze plug locking tabs together, then push plug out through hole.



- Assemble vehicle side hinge (13) to windshield side hinge (14) by sliding pin into bushing. Repeat for RH side.

NOTE

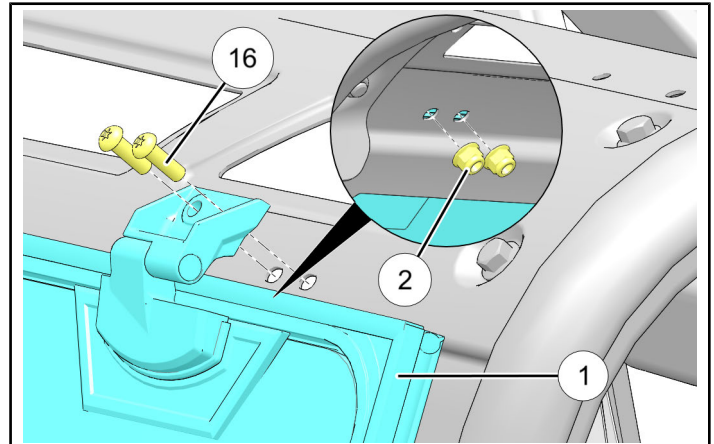
LH side shown; RH side opposite.



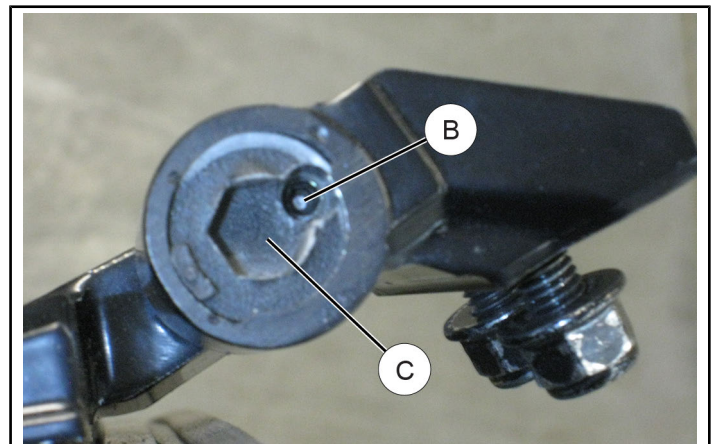
- Loosely install windshield (1) to ROPS visor using four each screws (16) and nuts (2). Do not tighten nuts at this time.

NOTE

Polaris recommends two people perform this step. LH side shown; RH side opposite.



- Center windshield in ROPS as follows:
 - Loosen set screw (B) in both LH and RH hinges.



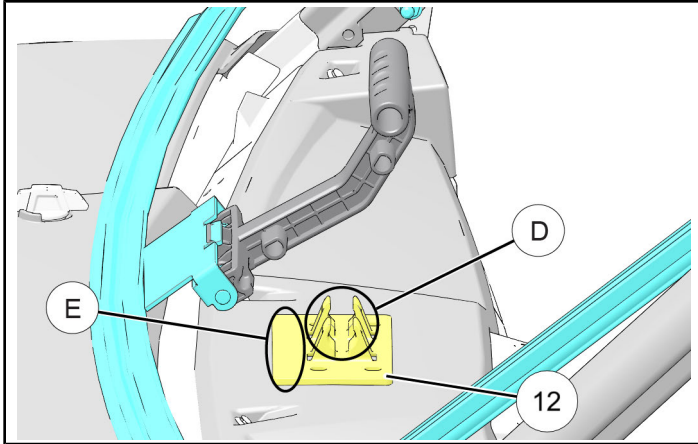
- Rotate hinge pin eccentric cam (C) either direction as required. Repeat for opposite side hinge.

NOTE

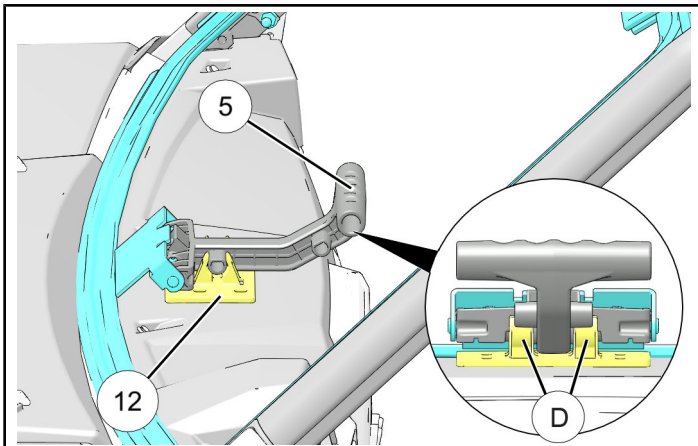
Full cam adjustment range is achieved in 360 degrees of rotation.

- Tighten set screw (B) in both LH and RH hinges. Do NOT overtighten.
- Ensure windshield is centered, then tighten all four hinge nuts (2).

7. Place handle base ⑫ on upper dash panel with locking clips ⑩ oriented towards REAR of dash, and blank area ⑪ towards FRONT of dash.

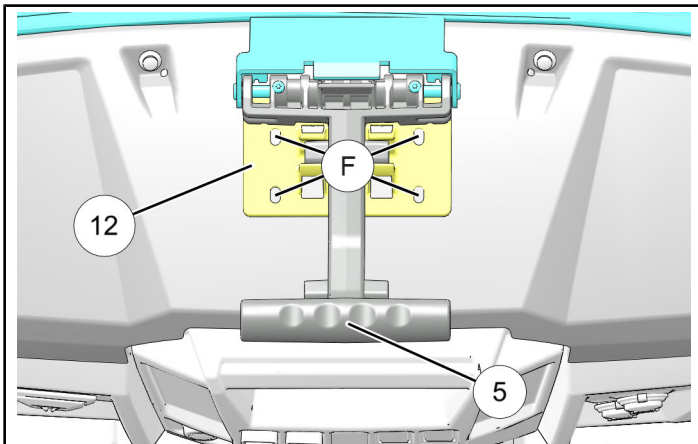


8. Close windshield and lock handle ⑤ into base ⑫, centering handle between locking clips ⑩.

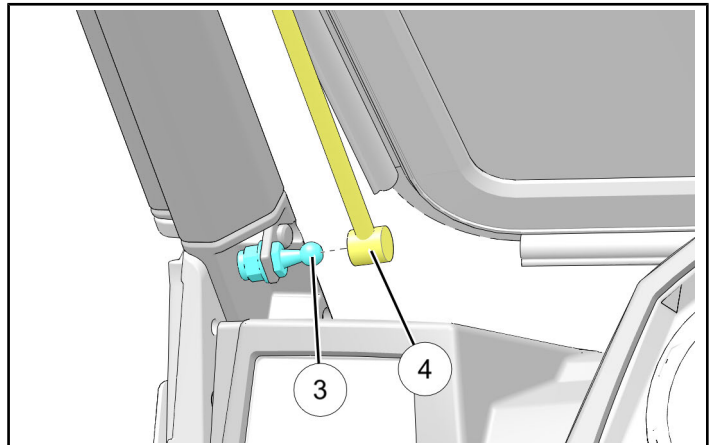


9. Pull handle ⑤ rearward to slightly compress windshield seal. While pulling handle, use handle base ⑫ as template to mark four holes ⑬ in upper dash panel.

Detach handle from base, then set base aside. Do not drill holes in upper dash panel at this time.



10. Hold shock with cylinder (larger diameter) up and rod (smaller diameter) down, then install lower end of shock ④ to ball fitting ③ by firmly pushing shock into fitting. Retention clip will snap into place when shock is fully seated. Repeat for RH side.



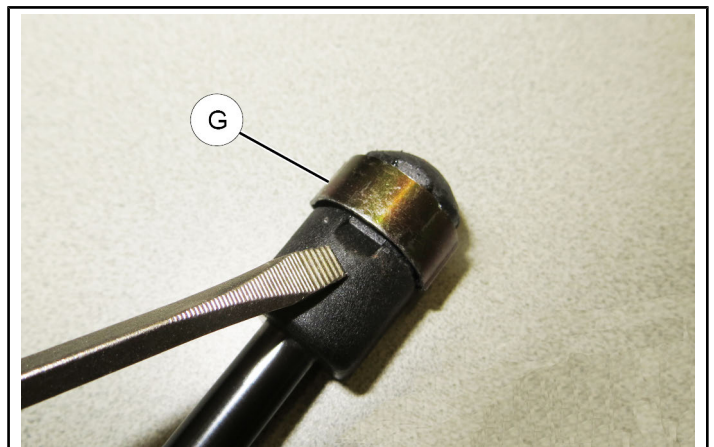
⚠ WARNING

In next step ensure safety glasses are worn to prevent eye injury!

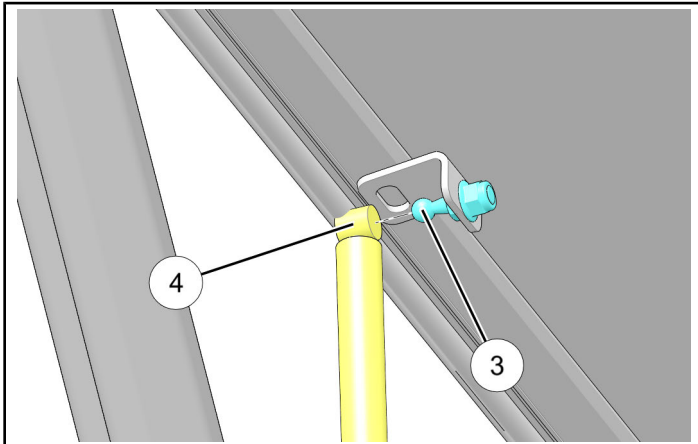
11. OPTIONAL: If necessary to remove shock from ball fitting, insert flat bladed screwdriver into slot beneath retention clip ⑥. Twist slightly to disengage clip ends from ball fitting while gently pulling shock away.

IMPORTANT

Do NOT remove clip. Lift clip only enough to disengage clip ends from ball fitting.

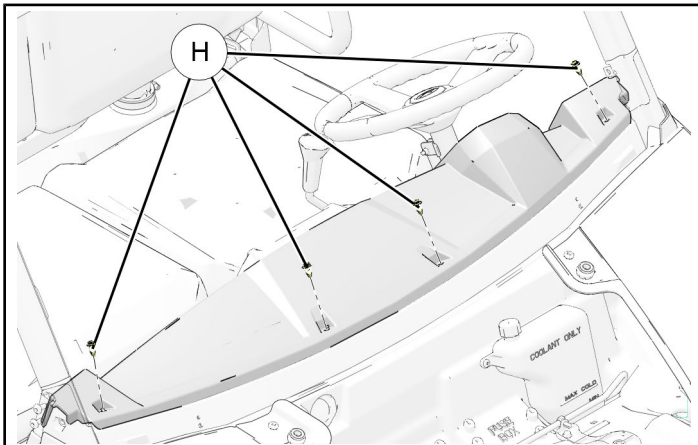


12. Open windshield and install upper end of shock ④ to ball fitting ③ by firmly pushing shock into fitting. Retention clip will snap into place when shock is fully seated. Repeat for RH side.



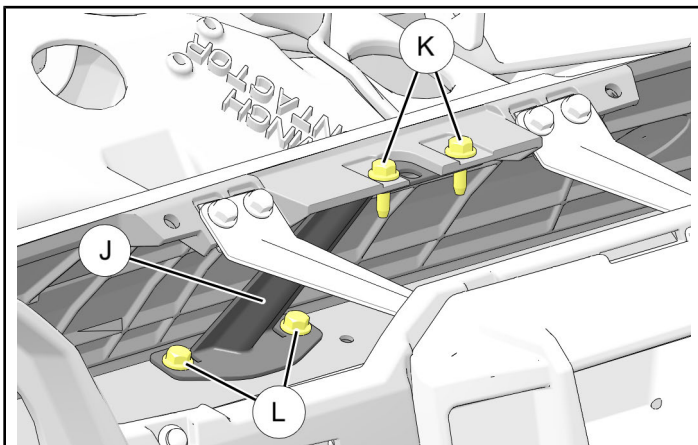
13. Remove hood.

14. Remove upper dash panel by removing four push pin rivets ⑧. Retain rivets.

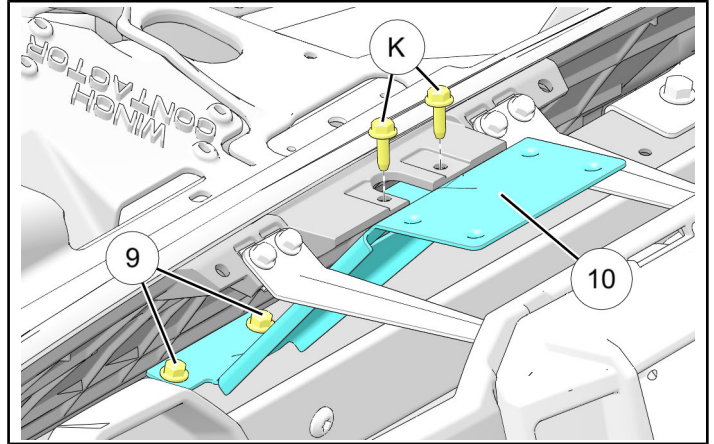


15. Drill four 5/16 inch (8 mm) holes through upper dash panel at marked locations ⑥. See Step 9.

16. Remove existing panel support bracket ① by removing two upper screws ⑫ and two lower screws ⑬. Lower two screws and bracket will not be reused. Retain upper two screws.

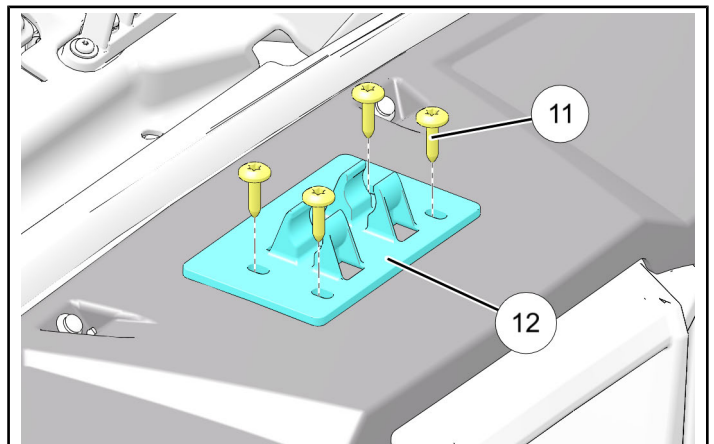


17. Install backing bracket ⑩ using two retained upper screws ⑫ and two new lower screws ⑨. Tighten screws.



18. Reinstall upper dash panel using four retained push pin rivets ⑧.

19. Install handle base ⑫ using four screws ⑪ through upper dash into backing bracket ⑩. Ensure locking clips ④ are oriented towards REAR of dash (see Step 7). Center screws in adjustment slots, then tighten.

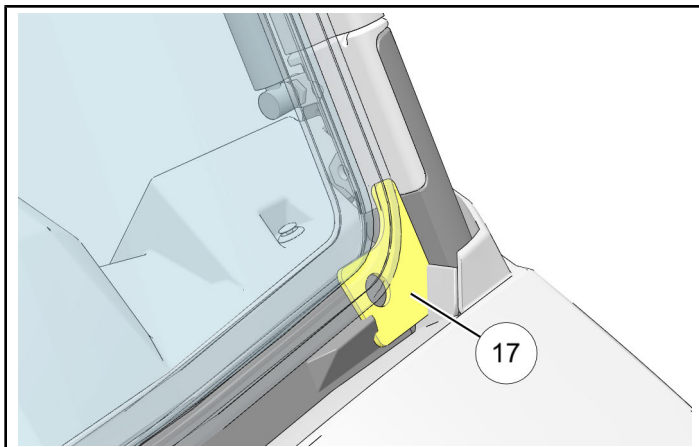


20. Close windshield and identify suitable location for LH seal ⑰, then trim to fit. Clean installation surface as required, peel adhesive backing from seal, then press firmly into place.

Repeat for RH side using seal ⑱.

NOTE

LH side shown; RH side opposite.
Closed windshield shown partially transparent for reference.
Hole in seal is unused for this application.



21. Close windshield and adjust as required to ensure windshield is centered, seal is adequately compressed, and windshield opens/closes properly.

22. Reinstall hood.

WARNING

If transporting vehicle in non-enclosed trailer then vehicle must **FACE FORWARD**, and windshield must be **FULLY CLOSED** and **LOCKED**. Otherwise, windshield must be removed.

Failure to comply may allow airflow, vibration, or other factors to separate windshield from vehicle and cause an accident, resulting in serious personal injury or death.

FEEDBACK FORM

A feedback form has been created for the installer to provide any comments, questions or concerns about the installation instructions. The form is viewable on mobile devices by scanning the QR code or by clicking [HERE](#) if viewing on a PC.

FEEDBACK FORM

