

LOCK & RIDE® GLASS WINDSHIELD KIT



P/N 2882191

APPLICATION

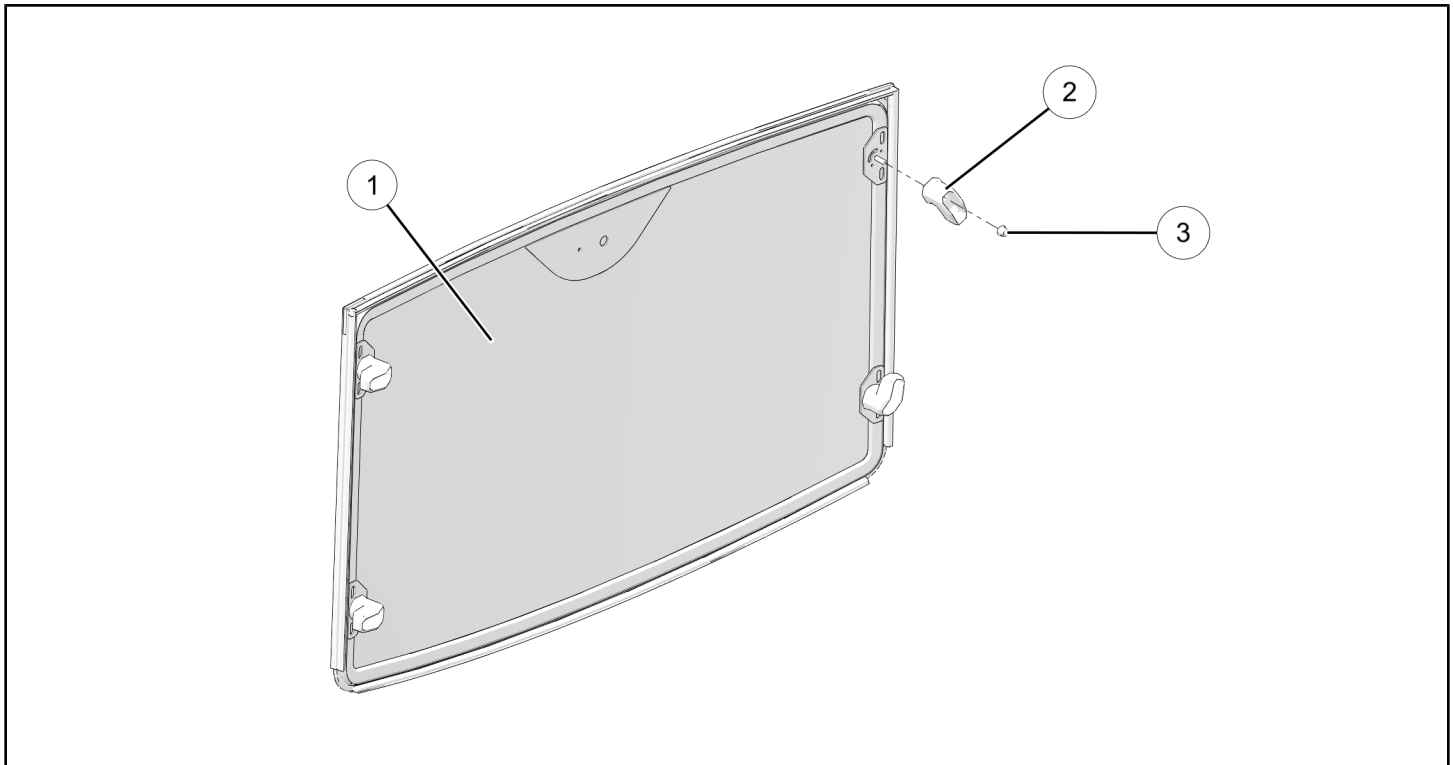
Verify accessory fitment at Polaris.com.

BEFORE YOU BEGIN

Read these instructions and check to be sure all parts and tools are accounted for. Please retain these installation instructions for future reference and parts ordering information.

KIT CONTENTS

This Kit includes:



REF	QTY	PART DESCRIPTION	PART NUMBER
1	1	Windshield, Glass, Lock & Ride®	-
2	4	. Handle	5452533
3	4	. Nut, Hex Flange - M8 X 1.25	7547454
	1	Instructions	9927351

TOOLS REQUIRED

- Safety Glasses
- Drill
- Drill Bit: 7 mm, 3/4 inch
- Socket Set, Metric

IMPORTANT

Your Lock & Ride® Glass Windshield Kit is exclusively designed for your vehicle. Please read the installation instructions thoroughly before beginning. Installation is easier if the vehicle is clean and free of debris. For your safety, and to ensure a satisfactory installation, perform all installation steps correctly in the sequence shown.

ASSEMBLY TIME

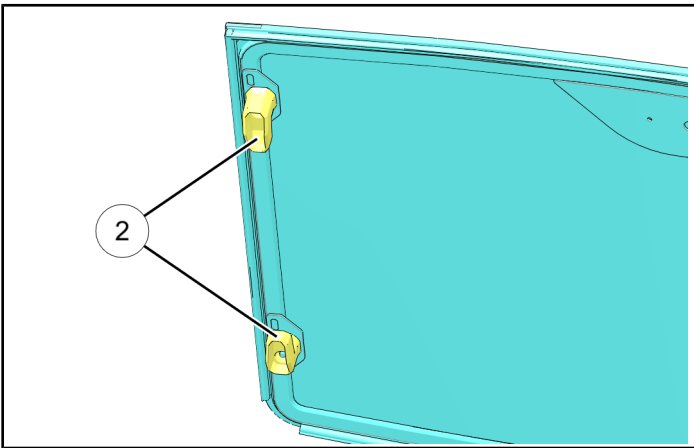
Approximately 5 minutes

INSTALLATION INSTRUCTIONS

1. Shift vehicle transmission into "PARK". Turn key to "OFF" position and remove from vehicle.
2. Rotate all four handles ② to unlocked position (parallel to sides of windshield).
4. OPTIONAL: If windshield wiper kit will be installed (sold separately), then use mounting plate ① as template to carefully drill out 7 mm and 3/4 inch holes.

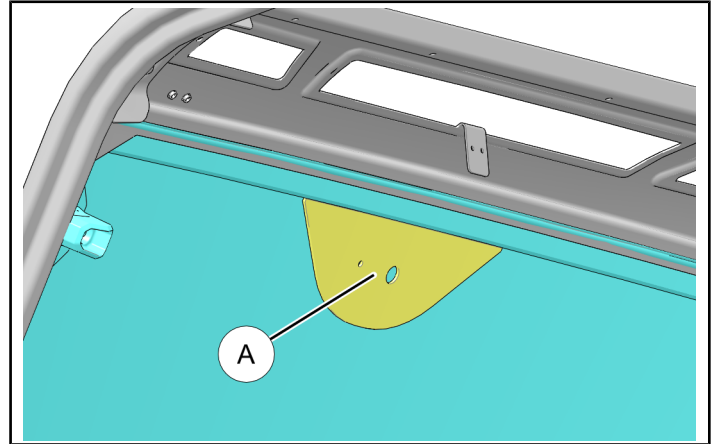
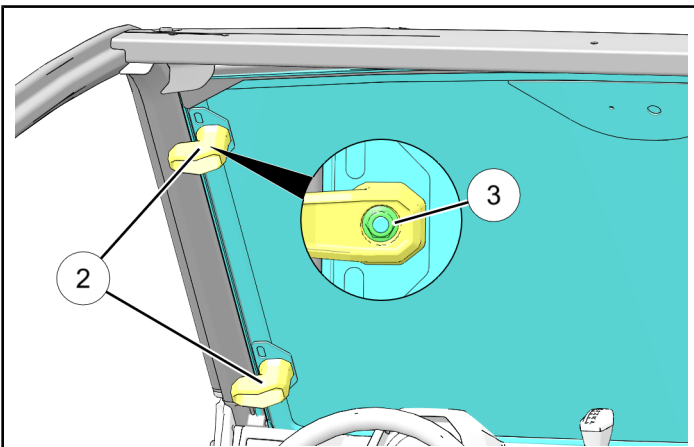
NOTE

LH side shown; RH side similar.



3. Place windshield ① into ROPS, then turn all four handles ② to locked position (perpendicular to sides of windshield).

If any handle is loose, tighten corresponding nut ③ to achieve desired level of resistance.



⚠ WARNING

If vehicle is trailered FACING FORWARD, windshield must be CLOSED (upright) and LOCKED to upper ROPS. Failure to close and lock windshield may allow airflow to separate windshield from vehicle, resulting in an accident and severe injury or death.

Do NOT trailer vehicle FACING REARWARD with windshield installed. Airflow may cause windshield to separate from vehicle, resulting in an accident and severe injury or death. Remove windshield or transport vehicle in enclosed trailer.