

POLY TIP-DOWN WINDSHIELD KIT



P/N 2883261

APPLICATION

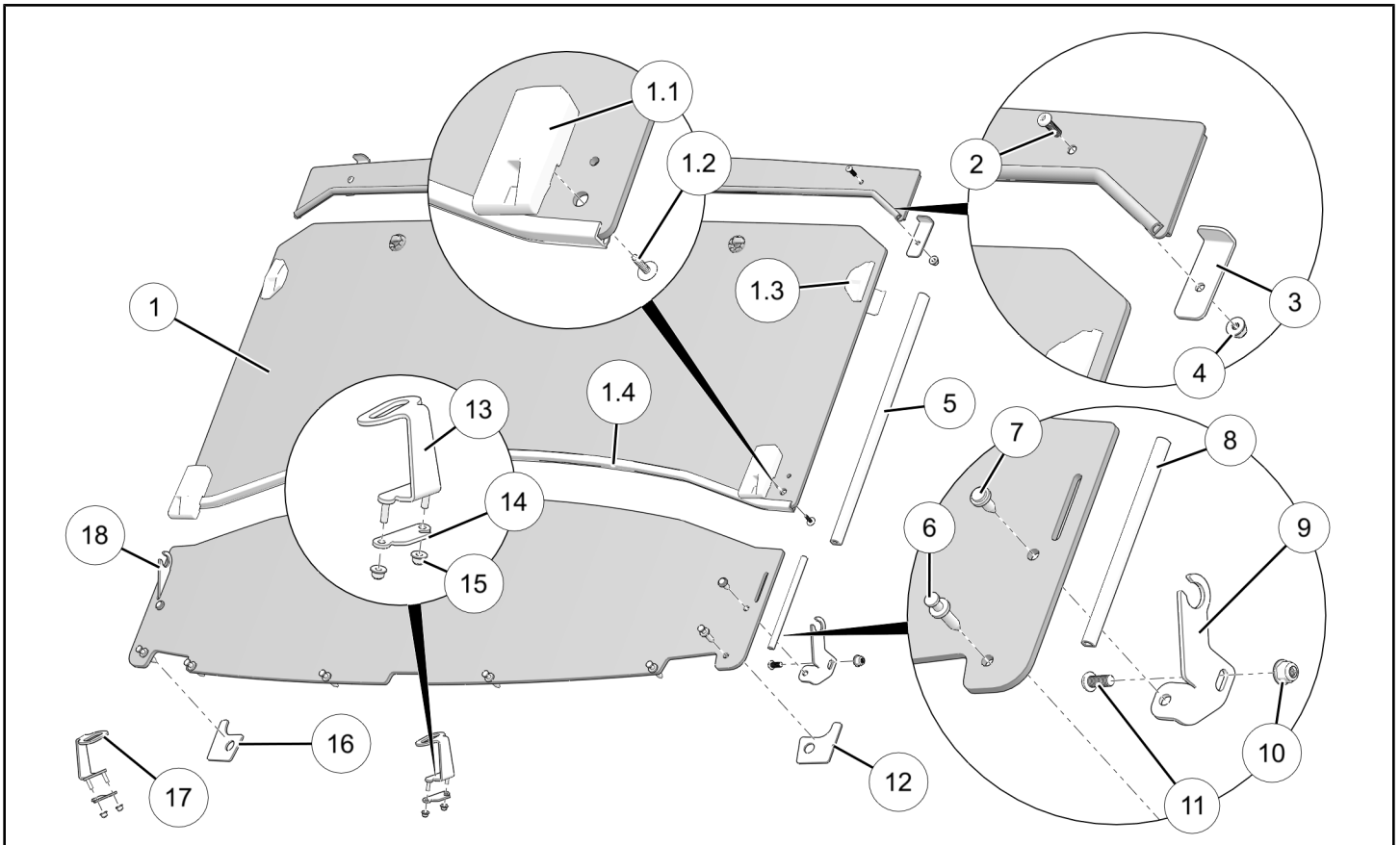
Verify accessory fitment at Polaris.com.

BEFORE YOU BEGIN

Read these instructions and check to be sure all parts and tools are accounted for. Please retain these installation instructions for future reference and parts ordering information.

KIT CONTENTS

This Kit includes:



REF	QTY	PART DESCRIPTION	PART NUMBER	INCLUDED IN HARDWARE KIT
1	1	Windshield, Tip-Down, Poly (includes items 1.1–1.4 below)	2636974	-
1.1	1	. Hinge (includes one each LH and RH)	-	2207475
1.2	2	. Screw, Torx® Truss Head - 10–12 X 3/4	-	2207475
1.3	2	. Clamp Assembly	2636989	-
1.4	-	. Seal, 3/8 Inch Side Bulb with 0.177 inch Carrier (4.25 ft)	-	2207476
2	2	Screw, Socket Button Head - M6 X 1.0 X 20	-	-

REF	QTY	PART DESCRIPTION	PART NUMBER	INCLUDED IN HARDWARE KIT
3	2	Bracket, Visor	-	2207475
4	2	Nut, Hex Flange, Locking - M6 X 1.0	-	-
5	-	D-Seal, 0.625 X 0.625, Adhesive (3 ft)	-	2207476
6	6	Rivet, Push Pin - 8 X 29 (Long)	-	2207475
7	2	Rivet, Push Pin (Short)	-	-
8	-	D-Seal, 0.375 X 0.31, Adhesive (1.17 ft)	-	2207476
9	1	Bracket, Hinge, LH	-	2207475
10	2	Nut, Hex Flange, Locking - M8 X 1.25	-	-
11	2	Screw, Socket Button Head - M8 X 1.25 X 20	-	-
12	1	Seal, Adhesive, LH	5814712	-
13	1	Bracket, Windshield Hold-Down, LH	-	2207475
14	2	Backer Plate, Windshield Hold-Down Bracket	-	2207475
15	4	Nut, Hex Flange, Locking - M5	-	-
16	1	Seal, Adhesive, RH	5814713	-
17	1	Bracket, Windshield Hold-Down, RH	-	2207475
18	1	Bracket, Hinge, RH	-	2207475
	1	Instructions	9928575	-

TOOLS REQUIRED

- Safety Glasses
- Cutting Tool
- Drill
- Drill Bit: 1/4 inch (6 mm)
- Pliers, Push Pin Rivet
- Socket Set, Hex Bit, Metric
- Socket Set, Metric
- Wrench Set, Metric

IMPORTANT

Your Poly Tip-Down Windshield Kit is exclusively designed for your vehicle. Please read the installation instructions thoroughly before beginning. Installation is easier if the vehicle is clean and free of debris. For your safety, and to ensure a satisfactory installation, perform all installation steps correctly in the sequence shown.

ASSEMBLY TIME

Approximately 45 minutes

NOTE

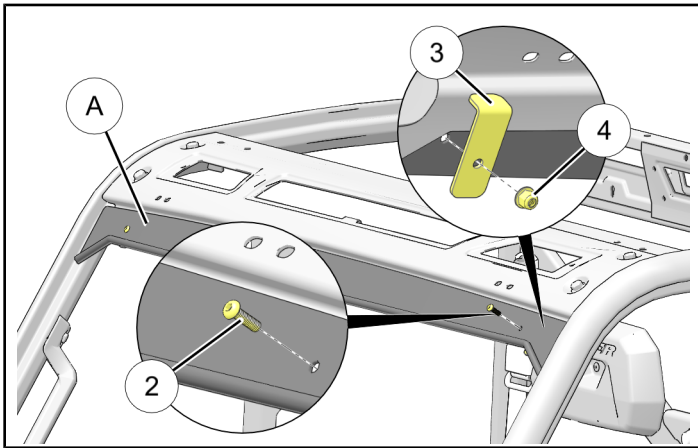
Additional time may be required to accommodate other accessories.

INSTALLATION INSTRUCTIONS

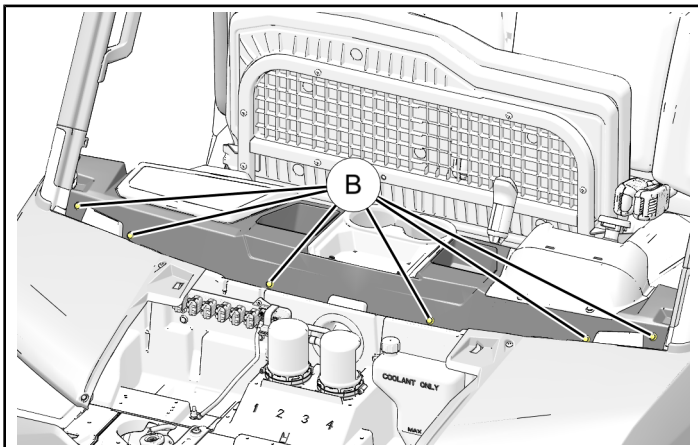
1. Shift vehicle transmission into "PARK". Turn ignition key to "OFF" position and remove from ignition switch.
2. Vehicle preparation.
 - a. Remove hood.
 - b. Remove roof (if installed).
 - c. Ensure vehicle ROPS is at room temperature ($\geq 68^{\circ}$ F) for proper application of adhesive seals.

3. Install windshield visor panel (A) to ROPS visor using two each brackets (3), screws (2), and nuts (4).

Ensure windshield visor panel is centered left to right, and gap is even along top, then tighten fasteners.



4. Remove six push pin rivets (B) along forward edge of dash. Rivets will not be reused.

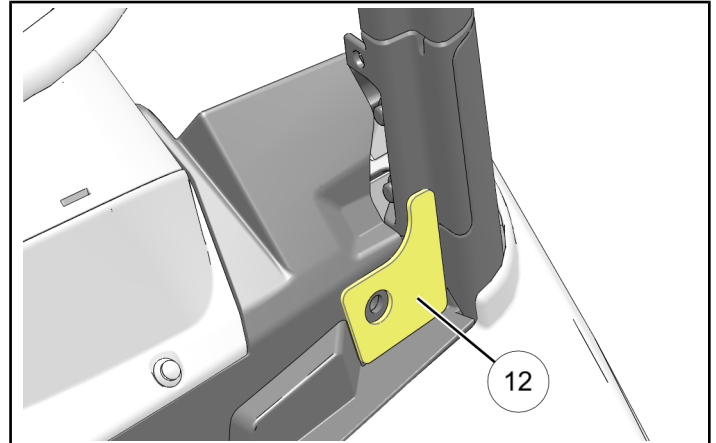


5. Install LH seal (12) by cleaning installation surface as required, peel off adhesive backing, butt lower seal edge against upper dash and outboard seal edge against ROPS fitting, then press seal firmly into place.

Repeat for RH side using seal (16).

NOTE

LH side shown; RH side opposite.

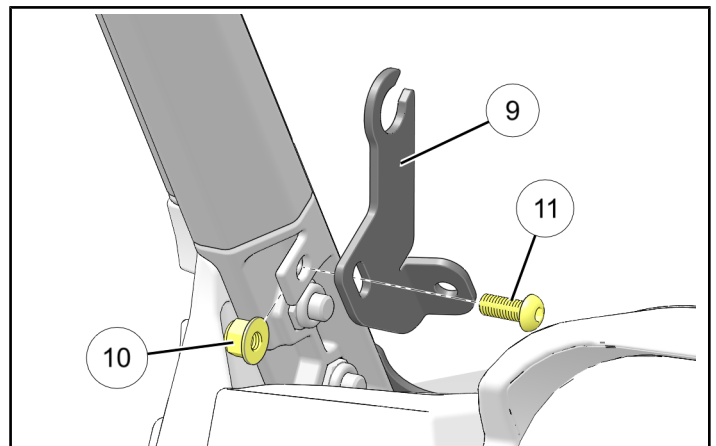


6. Loosely install LH hinge bracket (9) to mounting ear on ROPS A-pillar fitting using one each screw (11) and nut (10).

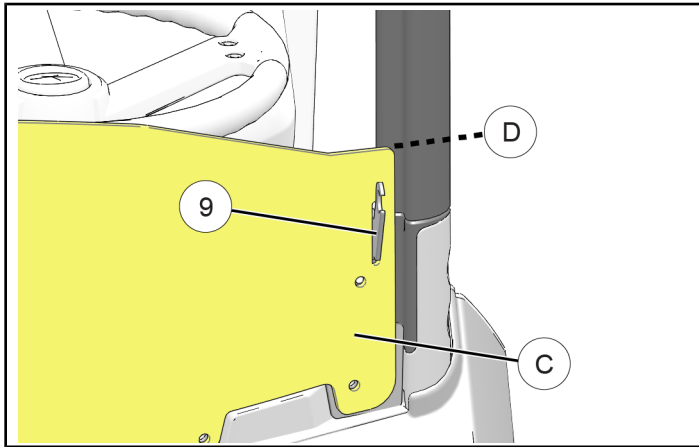
Repeat for RH side using RH hinge bracket (18).

TIP

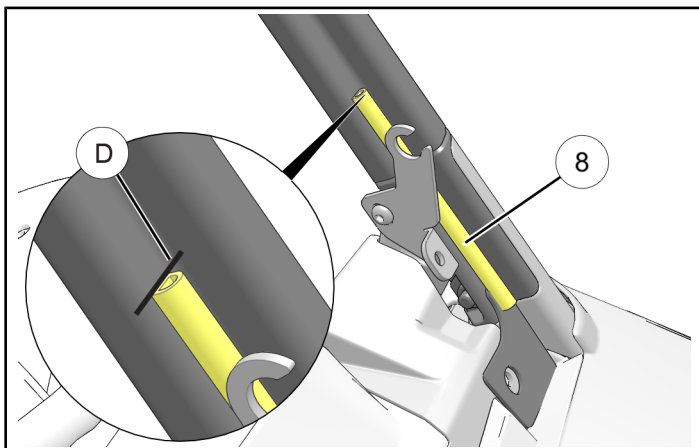
Temporarily block gap between ROPS fitting and upper dash with clean cloth or tape to prevent nut from accidentally falling behind dash.



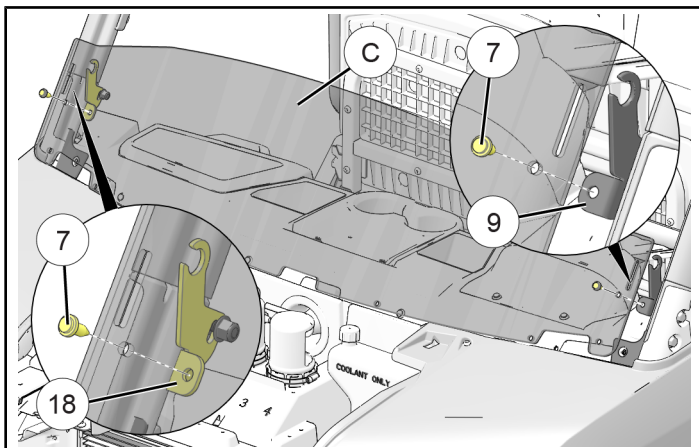
7. Temporarily install windshield dash panel (C) over both hinge brackets (9) and (18), centering panel left to right, and aligning panel with six push pin rivet holes along lower edge. Mark location where panel UPPER edge (D) contacts ROPS. Repeat for opposite side, then remove panel.



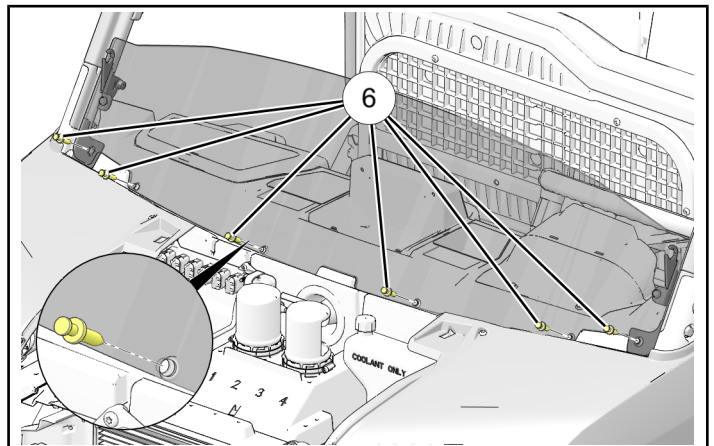
8. Cut SMALLER D-seal (8) in half. Install seal by cleaning installation surface as required, peel off adhesive backing, align upper end of seal with mark (D), then press seal firmly into place. Trim as required. Repeat for opposite side.



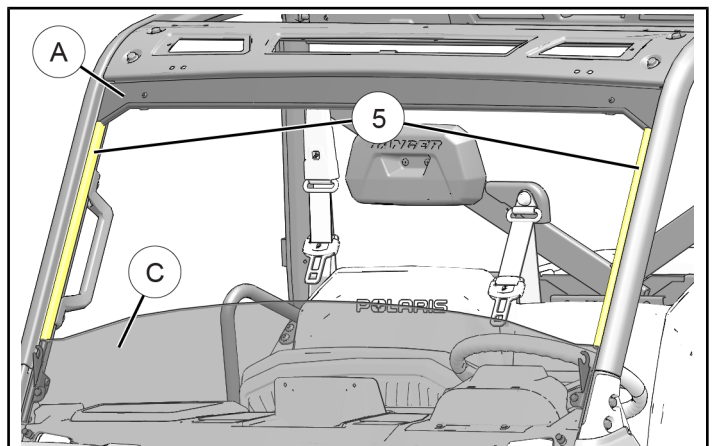
9. Install windshield dash panel (C) over both hinge brackets (9) and (18), then secure with two SHORT push pin rivets (7).



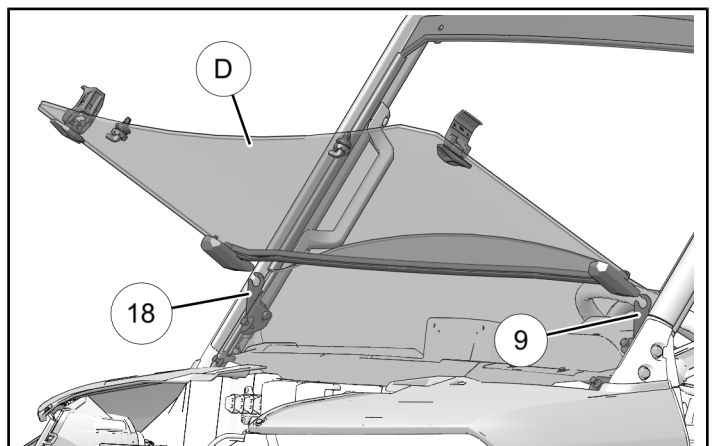
10. Tighten screw (11) and nut (10) on each hinge bracket (9) and (18). See previous Step 6 for detail.
11. Install six new push pin rivets (6) through lower windshield panel into forward edge of dash.



12. Cut D-seal (5) in half. Install seal by cleaning installation surface as required, peel off adhesive backing, apply to A-pillar between windshield visor panel (A) and windshield dash panel (C), then press seal firmly into place. Trim as required. Repeat for opposite side.

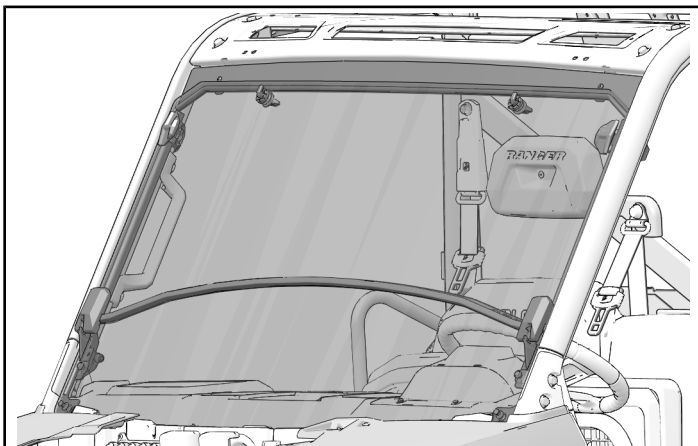
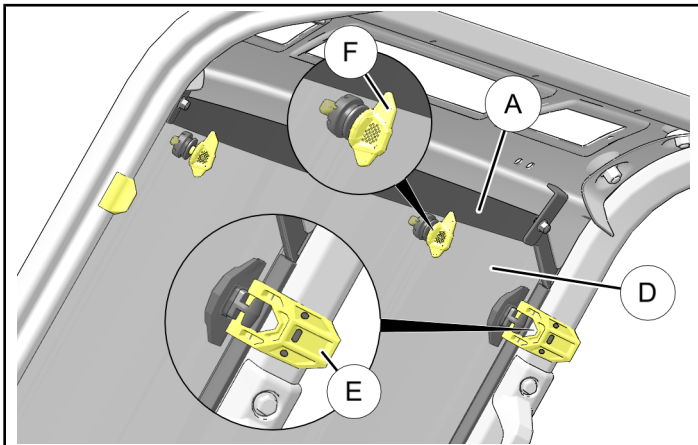


13. Position main windshield panel (D) as shown, then insert into hinge brackets (9) and (18).



14. Open two clamps (E) and two knobs (F), tip main windshield panel (D) into ROPS, then lock clamps to A-pillars and knobs to windshield visor panel (A).

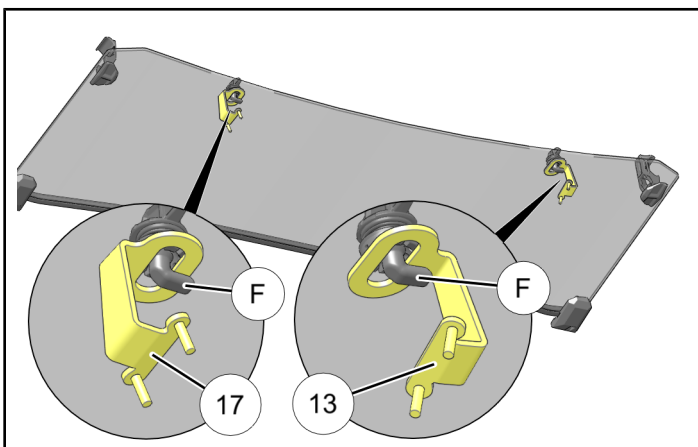
Adjust hinge brackets (9) and (18) as required to center windshield in ROPS opening.



15. Install hold-down brackets.

- a. Lock LH and RH hold-down brackets (13) and (17) to knobs (F) on windshield.

Ensure lock lever at bottom of each knob is centered in bracket slot (left to right, and front to rear). Lock lever must be able to freely pass through slot when knob is unlocked.



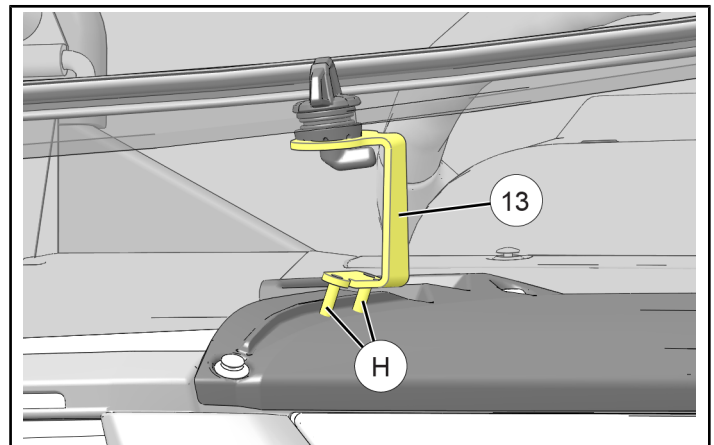
- b. Slowly tip windshield down, gently laying bracket studs against fenders.

Ensure installed bracket will be flush with ridge in fender as shown in next step, detail (G), then mark centerpoint of each stud (H) on fender.

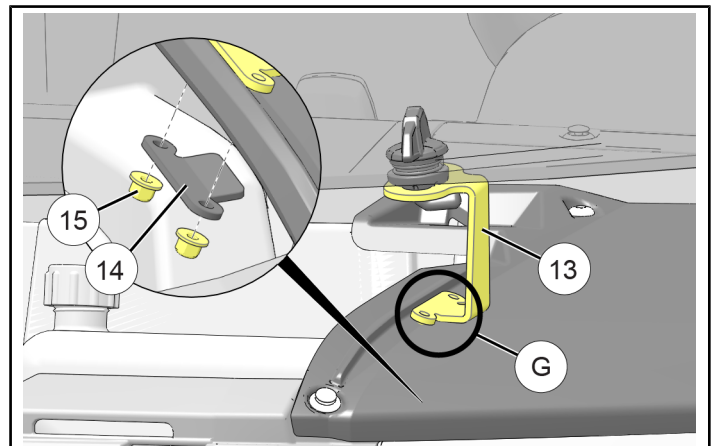
Drill two 1/4 inch (6 mm) holes through fender at marked locations. Repeat for opposite side.

IMPORTANT

Control drill depth to prevent damage to underlying structure or components.



- c. Install LH hold-down bracket (13) to fender using one backer plate (14) and two nuts (15). Repeat for RH side using RH hold-down bracket (17).



- d. Verify windshield locks and unlocks freely. Adjust as required.

16. Reinstall roof (if previously removed)

17. Reinstall hood.

⚠ WARNING

If transporting vehicle in non-enclosed trailer then vehicle must FACE FORWARD, and windshield must be CLOSED (upright) and LOCKED to ROPS. Otherwise, windshield must be removed.

Failure to comply may allow airflow, vibration, or other factors to separate windshield from vehicle and cause an accident, resulting in serious personal injury or death.

FEEDBACK FORM

A feedback form has been created for the installer to provide any comments, questions or concerns about the installation instructions. The form is viewable on mobile devices by scanning the QR code or by clicking [HERE](#) if viewing on a PC.

FEEDBACK FORM

