

WINDSHIELD KIT



P/N 2883266, 2883278, 2883300

APPLICATION

Verify accessory fitment at Polaris.com.

BEFORE YOU BEGIN

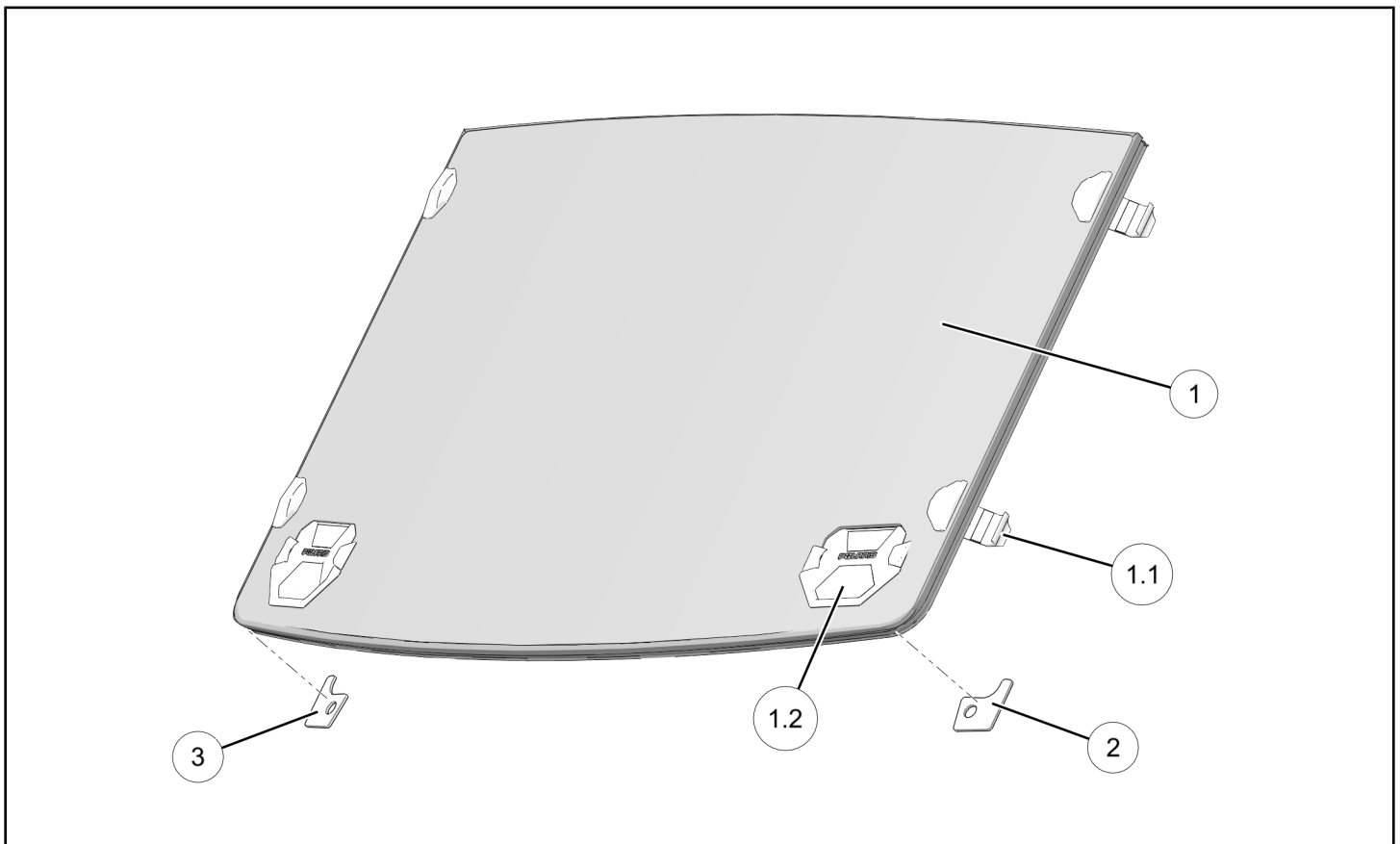
Read these instructions and check to be sure all parts and tools are accounted for. Please retain these installation instructions for future reference and parts ordering information.

KIT CONTENTS

This Kit includes:

NOTE

Kit PN 2883266 shown; Kit PNs 2883278 and 2883300 similar except as noted below.



| REF | QTY | PART DESCRIPTION | PART NUMBER |
|-----|-----|---|-------------|
| 1 | 1 | Windshield, Poly, Vented (Kit PN 2883266) (includes items 1.1–1.2 below) | - |
| 1 | 1 | Windshield, Poly, General Purpose (Kit PN 2883278, not shown) (includes item 1.1 below) | - |
| 1 | 1 | Windshield, Poly, Hard Coat (Kit PN 2883300, not shown) (includes item 1.1 below) | - |
| 1.1 | 4 | . Clamp Assembly | 2636989 |
| 1.2 | 2 | . Vent (Kit PN 2883266 only) | 2636990 |

| REF | QTY | PART DESCRIPTION | PART NUMBER |
|-----|-----|--------------------|-------------|
| 2 | 1 | Seal, Adhesive, LH | 5814712 |
| 3 | 1 | Seal, Adhesive, RH | 5814713 |
| | 1 | Instructions | 9928476 |

TOOLS REQUIRED

- Safety Glasses
- Pliers, Push Pin Rivet

IMPORTANT

Your Windshield Kit is exclusively designed for your vehicle. Please read the installation instructions thoroughly before beginning. Installation is easier if the vehicle is clean and free of debris. For your safety, and to ensure a satisfactory installation, perform all installation steps correctly in the sequence shown.

ASSEMBLY TIME

Approximately 5 minutes

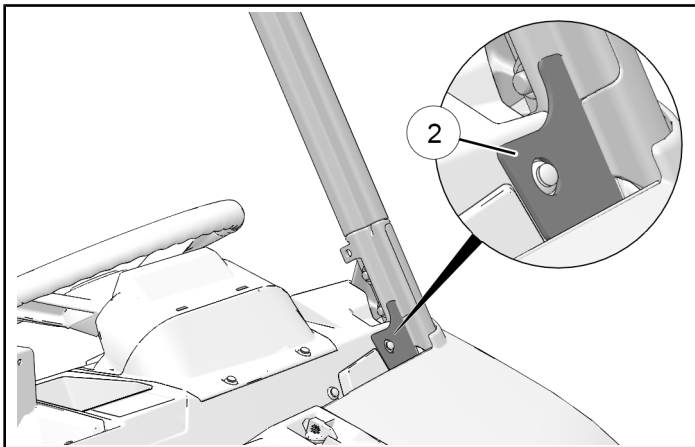
INSTALLATION INSTRUCTIONS

1. Shift vehicle transmission into "PARK". Turn ignition switch to "OFF" position and remove key.
2. In the following illustration note locations where lower corner seals will be applied.

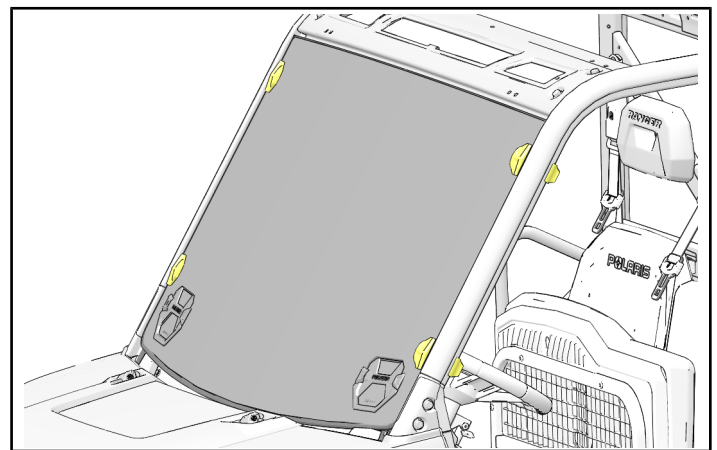
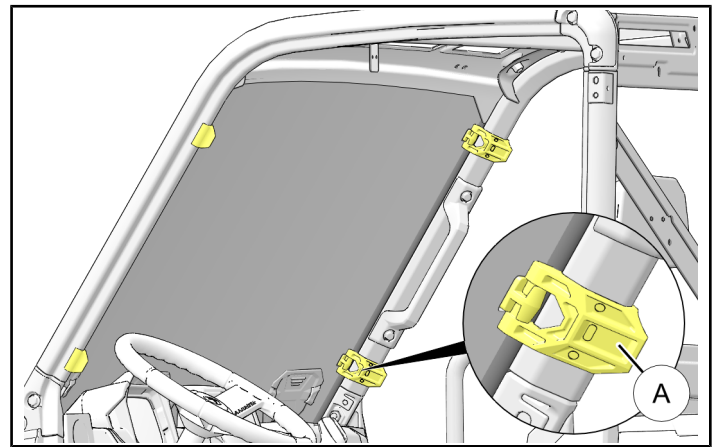
Clean application surfaces as required, peel adhesive backing from LH seal ②, then press firmly into place.

Repeat for RH side using seal ③.

| NOTE |
|----------------------------------|
| LH side shown; RH side opposite. |



3. Open four clamps ①, position lower edge of windshield ① against dash panel, then lock clamps to A-pillars.



| ⚠ WARNING |
|---|
| <p>If transporting vehicle in non-enclosed trailer then vehicle must FACE FORWARD, or windshield must be removed.</p> <p>Failure to comply may allow airflow, vibration, or other factors to separate windshield from vehicle and cause an accident, resulting in serious personal injury or death.</p> |

FEEDBACK FORM

A feedback form has been created for the installer to provide any comments, questions or concerns about the installation instructions. The form is viewable on mobile devices by scanning the QR code or by clicking [HERE](#) if viewing on a PC.

