

PREMIUM DOOR KIT



P/N 2882561, 2882562, 2884275, 2884338

BEFORE YOU BEGIN

Read these instructions and check to be sure all parts and tools are accounted for. Please retain these installation instructions for future reference and parts ordering information.

REQUIRED, SOLD SEPARATELY

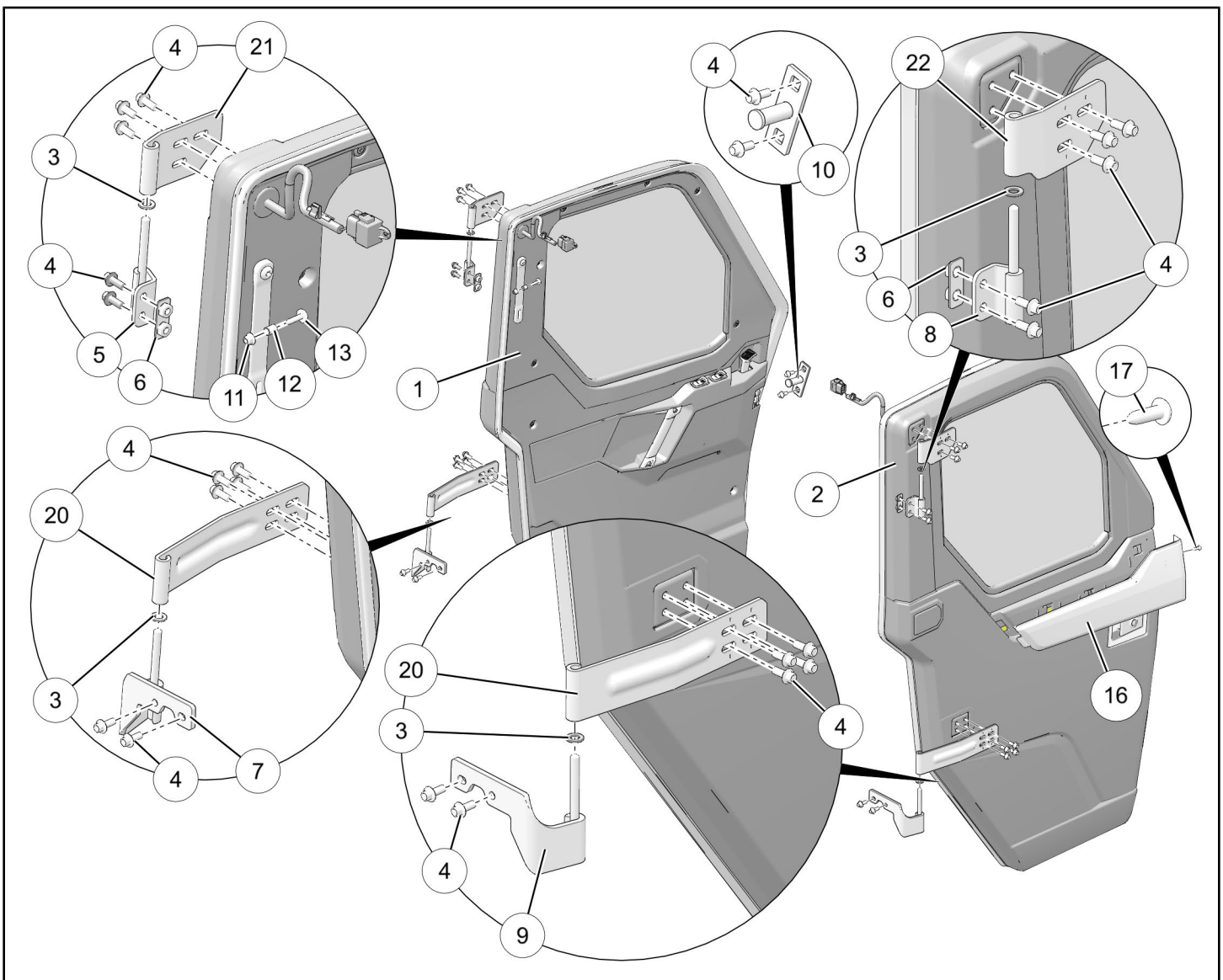
This kit only contains parts for installation of the Premium Door Kit. If installing Kit PNs 2882562 or 2884338, then prior installation of the Pulse™ Roof 6 Kit, PN 2882904, is also required (sold separately).

KIT CONTENTS

This Kit includes:

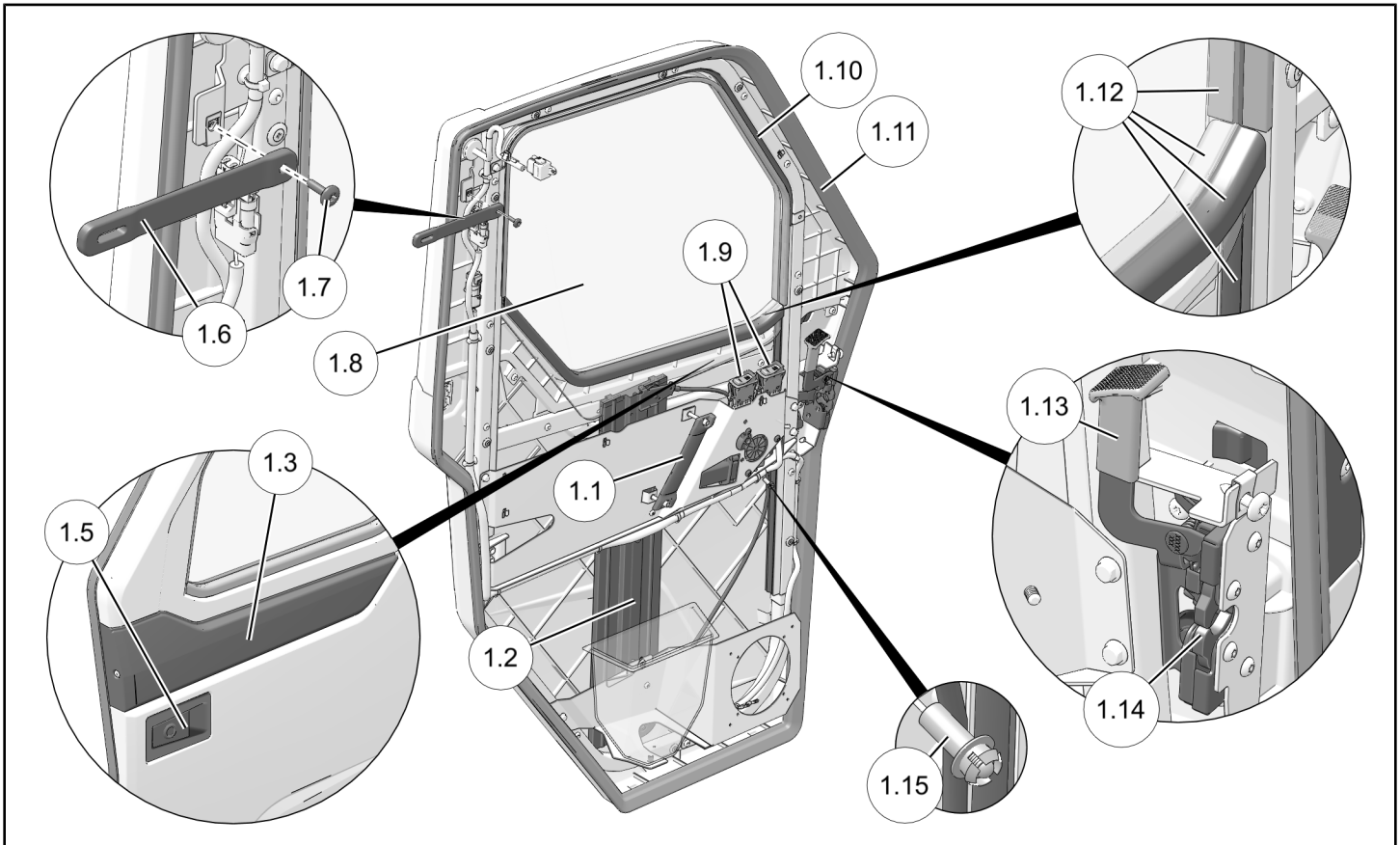
NOTE

Kit PN 2882562 shown; other kits similar except as noted below.



NOTE

LH door shown (from Kit PN 2882562); other LH and RH doors similar except as noted below.
Interior door panels hidden for clarity.



REF	QTY	PART DESCRIPTION	PART NUMBER	INCLUDED IN SERVICE KIT
1	1	Door Assembly, LH (includes items 1.1 through 1.16 except as noted below)	-	-
1.1	1	- Handle, Grab, LH	-	2207714**
1.2	1	- Regulator Assembly, LH (Kit PNs 2882562, 2884338 only) (not shown)	-	2207756*
	1	- Regulator Assembly, LH (Kit PNs 2882561, 2884275 only) (not shown)	-	2207710*
1.3	1	- Panel, Accent, LH (Kit PN 2884275-133 only)	5453999-133	-
	1	- Panel, Accent, LH (Kit PN 2884275-453 only)	5453999-453	-
1.4	-	(unused)	-	-
1.5	1	- Latch Assembly, Exterior (Kit PNs 2882561, 2882562, 2884338 only)	-	2207716*
	1	- Latch Assembly, Exterior (Kit PN 2884275 only)	7082545	-
1.6	1	- Strap, Limiter	-	2205280**
1.7	1	- Screw, Torx® Truss Head - M6 X 1.0 X 25	7519650	2205280**
1.8	1	- Glass	-	2207713*
1.9	1-2	- Switch (Kit PNs 2882562, 2884338 only)	-	2207758*

REF	QTY	PART DESCRIPTION	PART NUMBER	INCLUDED IN SERVICE KIT
1.10	1	- Seal, Glass Upper	-	2207718*
1.11	1	- Seal, Door, Full Perimeter	-	2207718*
1.12	-	- Kit, Glass Seal (contains one each as shown)	-	2883782
1.13	1	- Handle, Latch	-	2207715**
1.14	1	- Latch Assembly, Interior, LH	-	2207715**
1.15	1	- LED, Blue (Kit PNs 2882562, 2884338 only)	-	2207758*
1.16	1	- Crank, Window (Kit PNs 2882561, 2884275 only) (not shown)	-	2207712**
2	1	Door Assembly, RH (includes items 2.1 through 2.3, 2.14; all other parts same as those identified in 1.x above)	-	-
2.1	1	- Handle, Grab, RH (not shown)	-	2207714**
2.2	1	- Regulator Assembly, RH (Kit PNs 2882562, 2884338 only) (not shown)	-	2207757*
	1	- Regulator Assembly, LH (Kit PNs 2882561, 2884275 only) (not shown)	-	2207711*
2.3	1	- Panel, Accent, RH (Kit PN 2884275-133 only) (not shown)	5454000-133	-
	1	- Panel, Accent, RH (Kit PN 2884275-453 only) (not shown)	5454000-453	-
2.4	-	(unused)	-	-
2.14	1	- Latch Assembly, Interior, RH (not shown)	-	2207715**
3	4	Washer, Nylon - 10.25 X 19.0 X 2.0	5439712	2207709**
4	26	Screw, Hex Flange - M8 X 1.25 X 20	7519936	2207708 (qty: 8)
5	1	Hinge, Chassis-Side, Upper LH	-	2207709**
6	2	Nut Plate, Upper Chassis Side Hinge	5256140	-
7	1	Hinge, Chassis-Side, Lower LH	-	2207709**
8	1	Hinge, Chassis-Side, Upper RH	-	2207709**
9	1	Hinge, Chassis-Side, Lower RH	-	2207709**
10	2	Striker	-	2207717*
11	2	Nut, Hex Flange, Locking - M6 X 1.0	7547339	2205280**
12	2	Spacer	5139193	2205280**
13	2	Screw, Torx® Truss Head - M6 X 1.0 X 25	7519650	2205280**
14	1	Harness, Door Crossover (Kit PNs 2882562, 2884338 only) (not shown)	4017096	-
15	1	Panel, Door Accent, LH (Kit PNs 2882561, 2882562, 2884338 only) (not shown)	5453999-070	-
16	1	Panel, Door Accent, RH (Kit PNs 2882561, 2882562, 2884338 only)	5454000-070	-

REF	QTY	PART DESCRIPTION	PART NUMBER	INCLUDED IN SERVICE KIT
17	2	Screw, Torx® Truss Head, High/Low - #14 X 3/4 (Kit PNs 2882561, 2882562, 2884338 only)	7519045	-
18	1	Push Dart (Kit PNs 2882562, 2884338 only) (not shown)	7670088	-
19	1	Cab Seal Kit (not shown)	2883253	-
20	2	Hinge, Door-Side, Lower	-	2207708**
21	1	Hinge, Door-Side, Upper LH	-	2207708**
22	1	Hinge, Door-Side, Upper RH	-	2207708**

* Service kit contains parts and hardware required for ONE side of vehicle.

* Service kit contains parts and hardware required for BOTH sides of vehicle.

TOOLS REQUIRED

- Safety Glasses
- Pliers, Push Pin Rivet
- Push Dart (Panel Clip) Tool
- Screwdriver Set, Torx®
- Socket Set, Metric
- Torque Wrench
- Wrench Set, Metric

CONSUMABLES REQUIRED

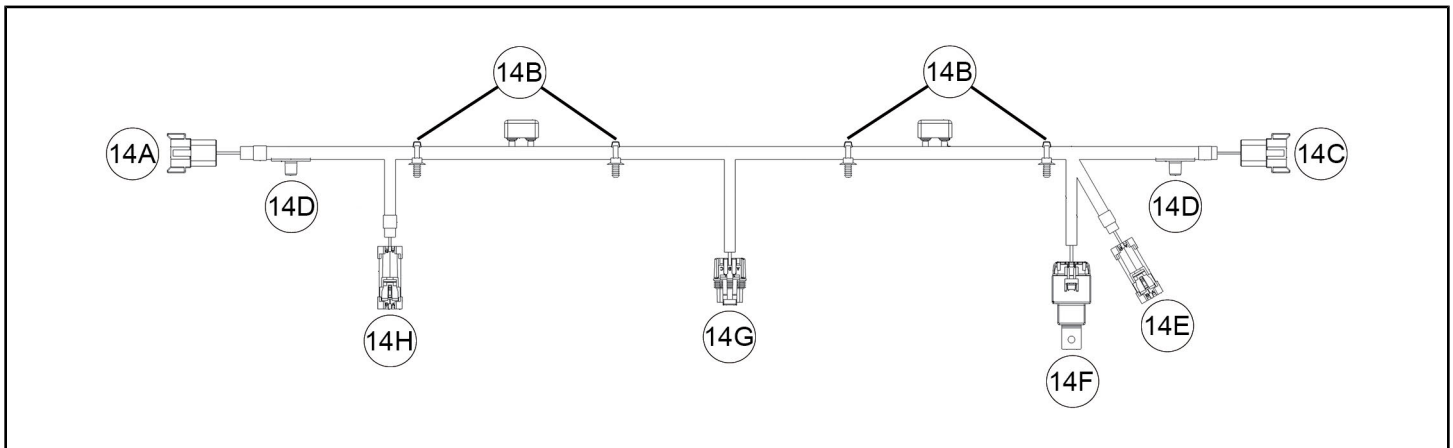
- Gloves, Chemical Resistant
- Grease, Polaris All Season (or equivalent)

IMPORTANT

Your Premium Door Kit is exclusively designed for your vehicle. Please read the installation instructions thoroughly before beginning. Installation is easier if the vehicle is clean and free of debris. For your safety, and to ensure a satisfactory installation, perform all installation steps correctly in the sequence shown.

HARNESS DETAIL

DOOR CROSSOVER HARNESS ⑭:



REF	PART DESCRIPTION	WIRE COLOR	PIN QTY/ GENDER	CONNECTS TO
14A	Connector, Window Crossover, LH (identified as: LH DOOR)	-	8 male	LH door assembly ①
14B	Clip, Routing	-	-	Vehicle structure
14C	Connector, Window Crossover, RH (identified as: RH DOOR)	-	8 male	RH door assembly ②
14D	Clip, Edge (Spring)	-	-	Vehicle structure
14E	Connector, Door Speaker, RH (with cap) (identified as: RH DOOR SPEAKER)	-	2 male	OPTIONAL: Door Panel Speaker Kit (PN 2882889 or equivalent)
14F	Relay	-	-	Vehicle structure
14G	Connector, Terminal Block, Accessory Roof	-	3 female	Pulse™ Roof 6 Kit, PN 2882904 (sold separately)
14H	Connector, Door Speaker, LH (with cap) (identified as: LH DOOR SPEAKER)	-	2 male	OPTIONAL: Door Panel Speaker Kit (PN 2882889 or equivalent)

INSTALLATION INSTRUCTIONS

IMPORTANT

If installing doors on a **crew** vehicle, Polaris recommends installation of Crew Rear Door Kit (PN 2883437, 2884276, 2884439, or equivalent) **PRIOR TO** installation of this Front Door Kit. Installation of FRONT door hinges on **crew** vehicles is different from installation on **non-crew** vehicles.

NOTE

Polaris recommends two people assemble and install this kit.

1. Shift vehicle transmission into "PARK". Turn ignition switch to "OFF" position and remove key.

2. Install Cab Seal Kit ⑲ per instructions included with kit.
3. If installing CRANK Window Door Kit, then proceed to Step 4.

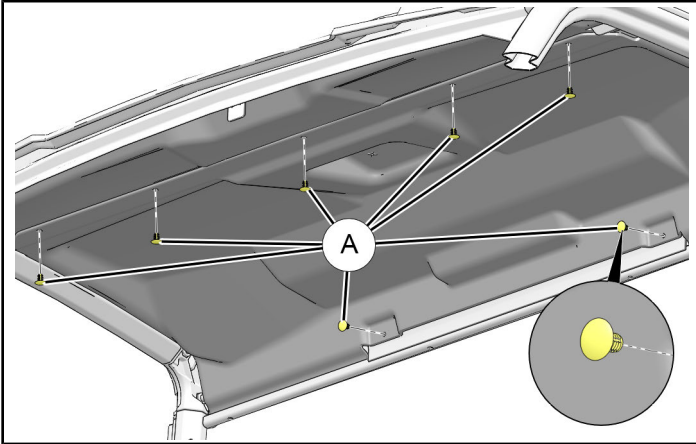
If installing POWER Window Door Kit, then remove rear roof liner (if installed) as follows:

NOTE

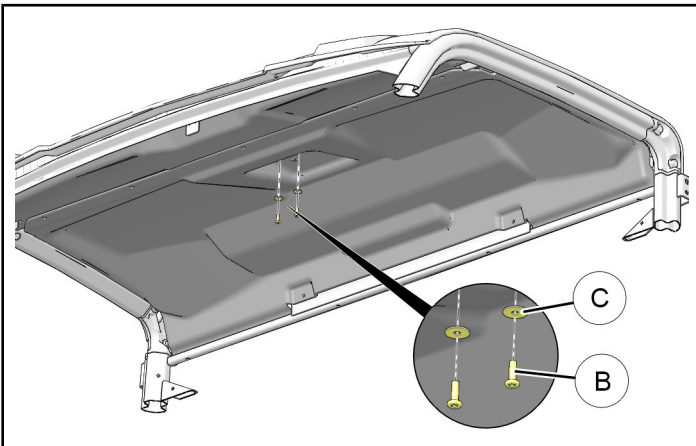
Front roof liner can remain installed.

- a. Remove rear (roof mounted) speakers, if installed.

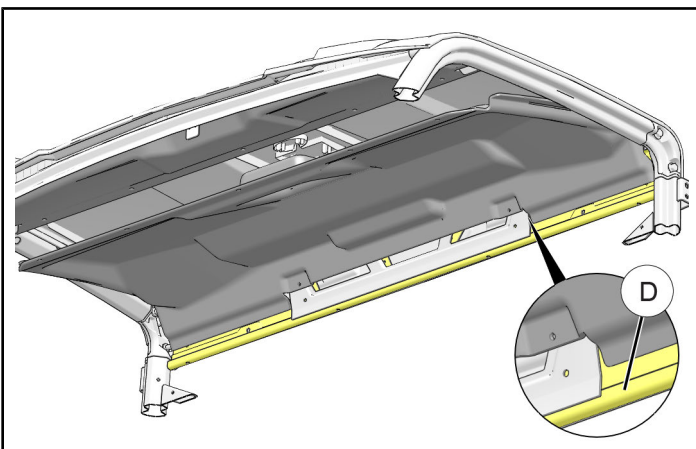
- b. Remove seven push darts (A), two from rear edge and five from front edge. Retain push darts.



- c. If overhead light is installed against liner, remove it. Otherwise, remove two each screws (B) and washers (C). Retain hardware.

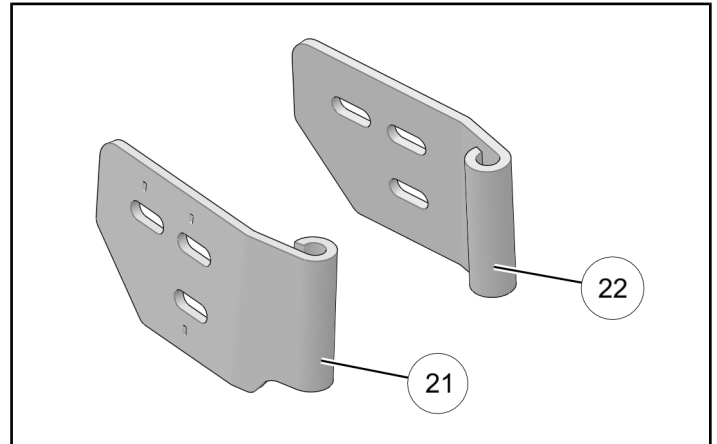


- d. Carefully pull LH and RH edges of liner from between ROPS and roof seal, then remove rear edge of liner from roof support channel (D).

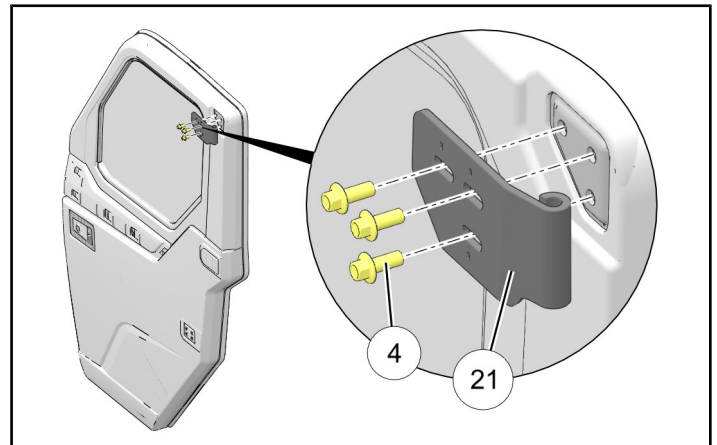


4. Install door-side hinges.

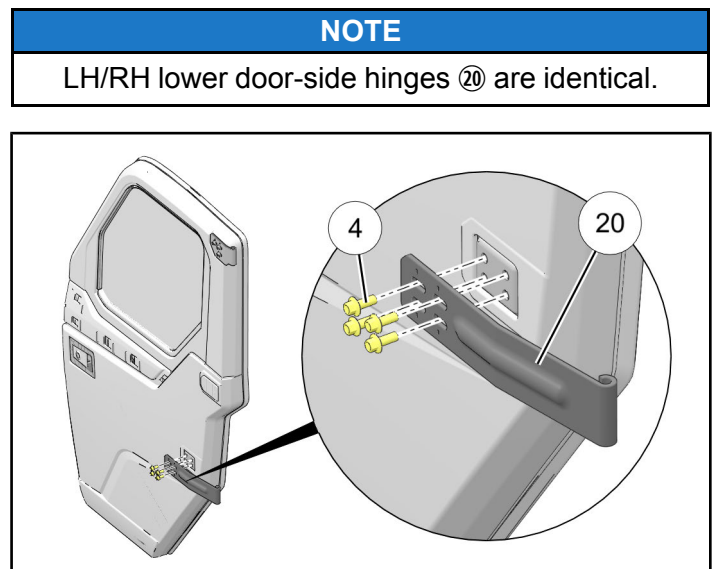
- a. Identify upper LH door-side hinge (21). Notice differences from upper RH door-side hinge (22).



- b. Install upper LH door-side hinge (21) to LH door (1) using three screws (4). Partially tighten screws (but still loose enough to allow hinge movement).



- c. Install lower door-side hinge (20) to LH door (1) using four screws (4). Partially tighten screws (but still loose enough to allow hinge movement).

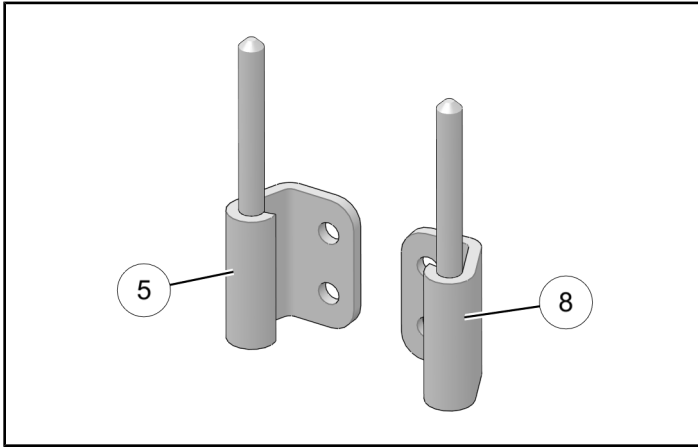


NOTE

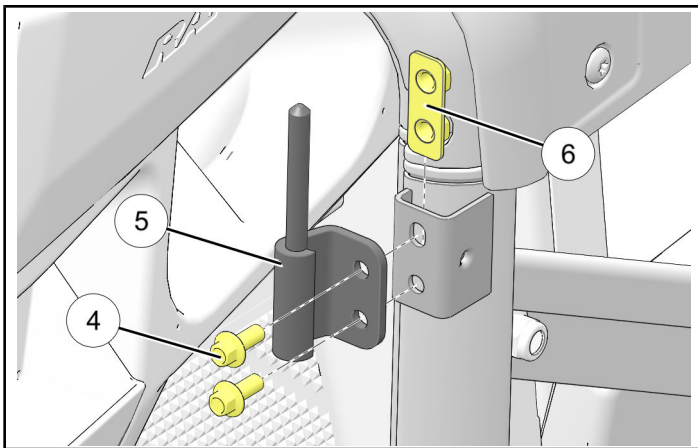
LH/RH lower door-side hinges (20) are identical.

5. Install chassis-side hinges.

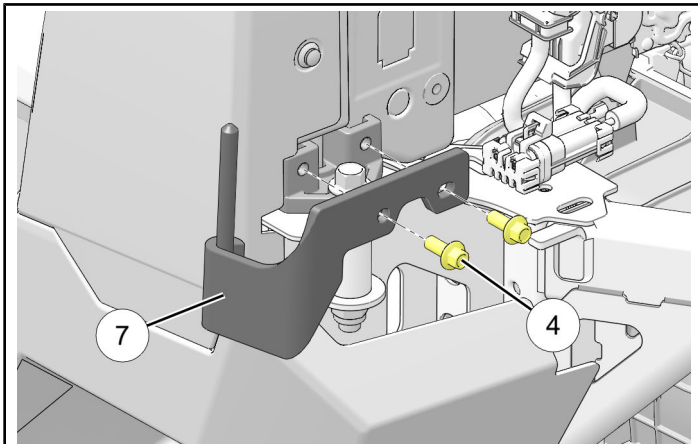
- a. Raise vehicle bed.
- b. Identify upper LH chassis-side hinge ⑤. Notice differences from upper RH chassis-side hinge ⑧.



- c. Install upper LH chassis-side hinge ⑤ using two screws ④ and nut plate ⑥. Partially tighten screws (but still loose enough to allow hinge movement).

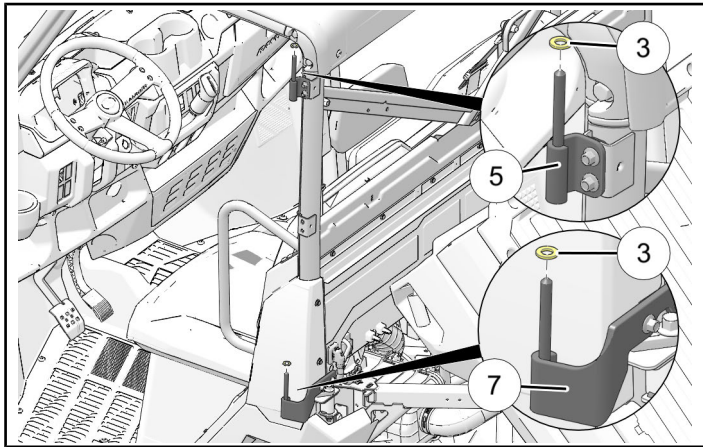


- d. Install lower LH chassis-side hinge ⑦ using two screws ④. Tighten screws.



- e. Install nylon washer ③ to pins on upper and lower LH chassis-side hinges ⑤ and ⑦.

NOTE
Washer acts as bearing surface to assist in smooth door operation.



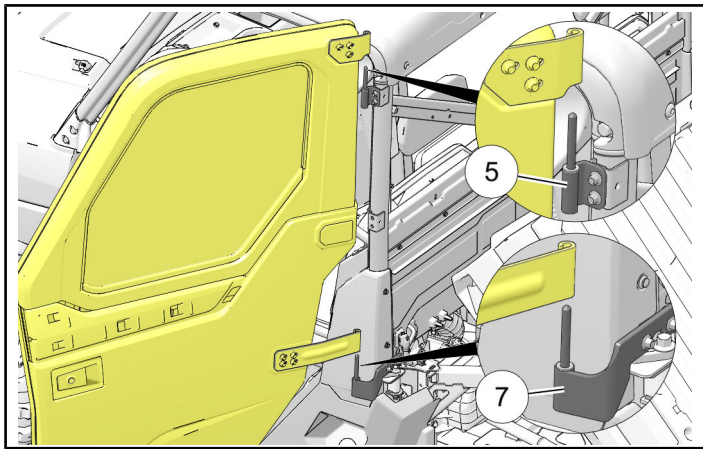
WARNING
Follow all chemical manufacturer instructions and safety precautions. Failure to follow all manufacturer instructions and precautions may result in severe injury or death.

- f. Grease pins on upper and lower chassis-side hinges ⑤ and ⑦ using Polaris All Season Grease (or equivalent).

6. Install and adjust door.

- a. Install door assembly ① on lower chassis-side hinge ⑦ first, then upper chassis-side hinge ⑤.

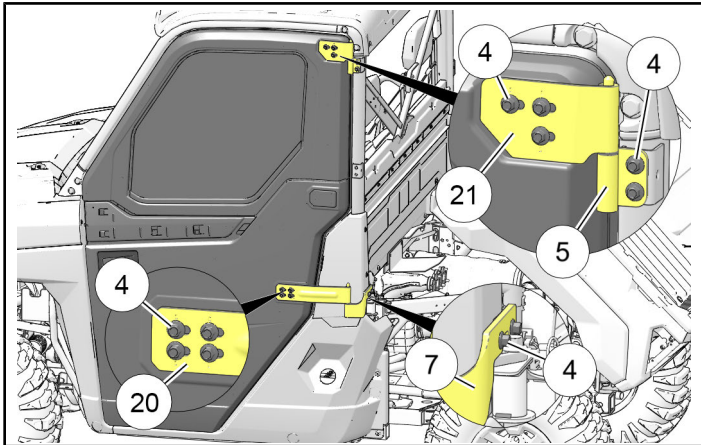
NOTE
Lower hinge pin is longer than upper hinge pin to aid door installation.



- b. Close and push door inwards while centering door in ROPS/chassis opening, then tighten all screws ④.

NOTE
If necessary for height adjustment, remove one or both nylon washers ⑭.

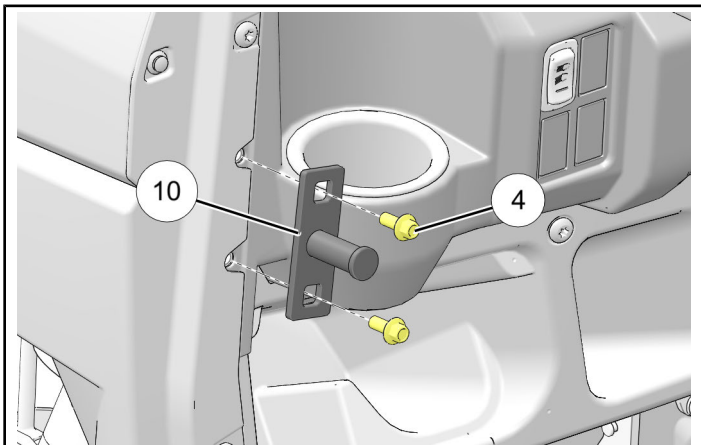
TIP
Have one person hold and center the door, and a second person tighten the screws.



- c. Open and close door to ensure door is still centered in ROPS/chassis opening. Adjust as required.
- d. Torque all door-side and chassis-side hinge screws ④ to specification.

TORQUE
17 ft. lbs. (23 Nm) ± 10%

- e. Lower vehicle bed.
7. Install and adjust striker.
- a. Install striker ⑩ to chassis using two screws ④. Center striker beneath screw heads, then tighten screws. Final adjustment will occur later.

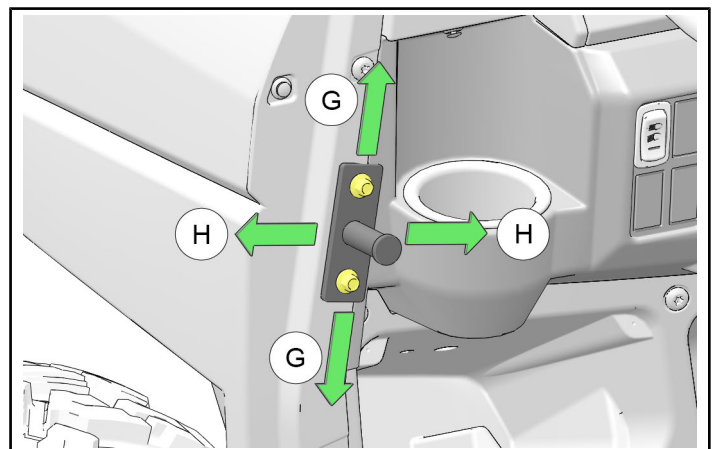
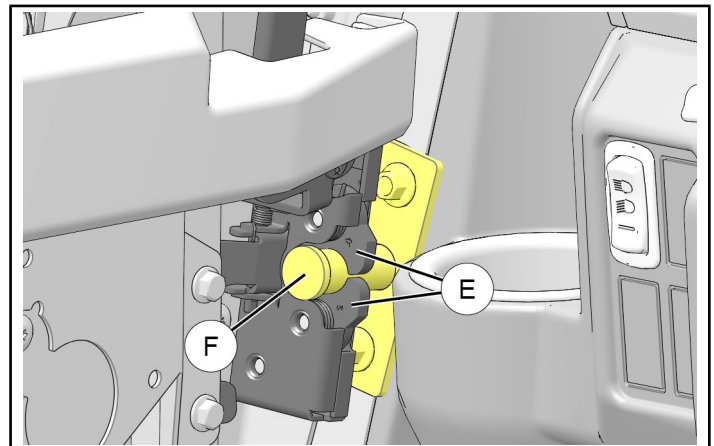


- b. Open door latch (to ensure upper and lower pawls ⑤ are fully opened), then slowly close door and observe striker pin ⑥ entering latch assembly.

Adjust striker ⑩ to achieve the following:

- i. **HEIGHT ⑥:** Pin ⑥ should be centered vertically between upper and lower pawls. To adjust, loosen two screws ④, slide striker ⑩ up or down as required, then retighten screws.
- ii. **DEPTH ⑧:** As required to achieve desired seal compression and door fairing. To adjust, loosen two screws ④, slide striker ⑩ inboard or outboard as required, then retighten screws.

Ensure depth adjustment is made with door at FULL closure as shown (second “click”), not at partial closure (first “click”).



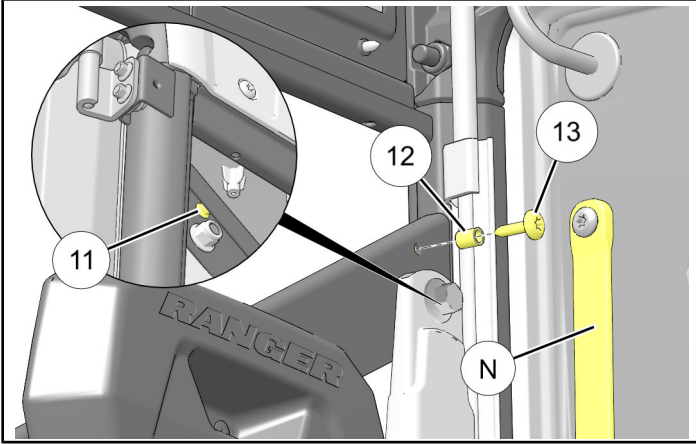
- c. Torque striker screws ④ to specification.

TORQUE
17 ft. lbs. (23 Nm) ± 10%

8. Install limiter strap retaining post to ROPS diagonal support using screw ⑬, spacer ⑫, and nut ⑪. Torque to specification, then secure strap ⑨ to post.

TORQUE

7 ft. lbs. (9 Nm) ± 10%

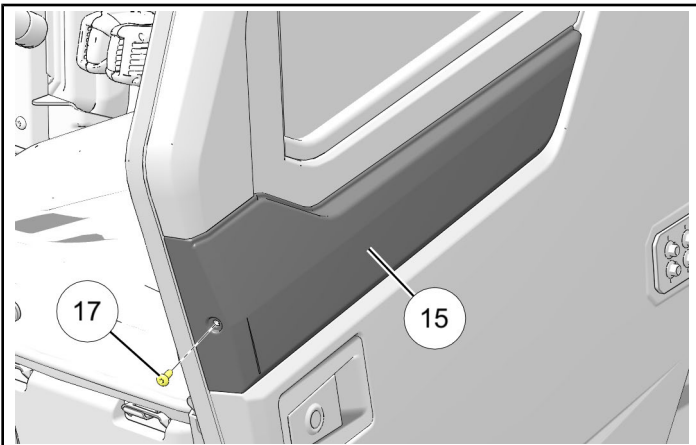


9. If LH accent panel ⑮ is pre-installed from factory, then proceed to Step 10.

Otherwise, install LH accent panel ⑮ to door by sliding receptacles in panel over tabs in door. Secure using screw ⑰. Torque to specification.

TORQUE

18 in. lbs. (2.0 Nm) ± 10%



10. Repeat Steps 4–9 for RH door assembly ② using hinges ⑧⑨⑳㉑, and accent panel ⑯ (if not pre-installed).

11. Lower vehicle bed.

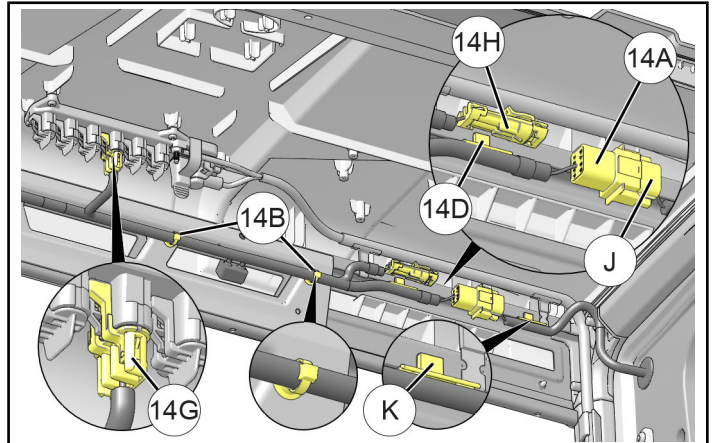
12. If installing CRANK Window Door Kit, then installation is complete.

If installing POWER Window Door Kit, then install crossover harness ⑭ as follows:

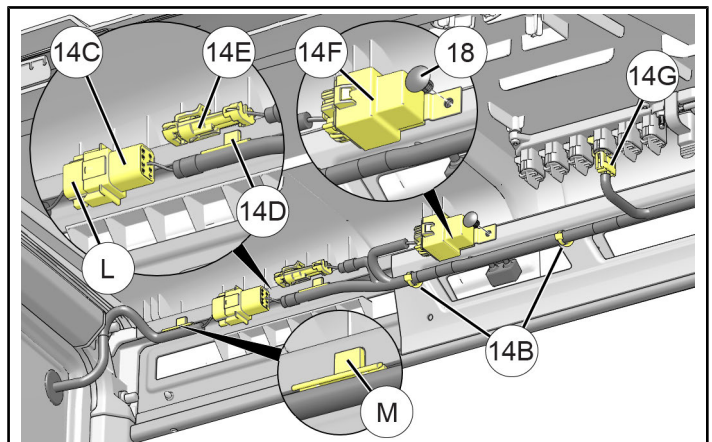
NOTE

See previous section, **HARNESSES DETAIL**, for connector identification.

- a. Remove cap from LH door connector ①, then join to LH window crossover connector 14A (identified as: **LH DOOR**).



- b. **OPTIONAL:** If installing Door Speaker Kit (PN 2882889 or equivalent), then remove cap from connector 14H (identified as: **LH DOOR SPEAKER**) and join to LH door speaker harness.
- c. Open power cap on roof-mounted Pulse™ terminal block at any open location, then plug in connector 14G.
- d. Secure LH side of harnesses to ROPS cross-member using edge clips ① and 14D, and two routing clips 14B.
- e. Remove cap from LH door connector ①, then join to RH window crossover connector 14C (identified as: **RH DOOR**).



- f. **OPTIONAL:** If installing Door Speaker Kit (PN 2882889 or equivalent), then remove cap from connector 14E (identified as: **RH DOOR SPEAKER**) and join to RH door speaker harness.
- g. Secure relay 14F to ROPS cross-member using push dart ⑱.
- h. Secure RH side of harnesses to ROPS cross-member using edge clips ⑳ and 14D, and two routing clips 14B.
- i. Reinstall rear roof liner (if removed).

FEEDBACK FORM

A feedback form has been created for the installer to provide any comments, questions or concerns about the installation instructions. The form is viewable on mobile devices by scanning the QR code or by clicking [HERE](#) if viewing on a PC.

