

BOX LIFT KIT



P/N 2884141

APPLICATION

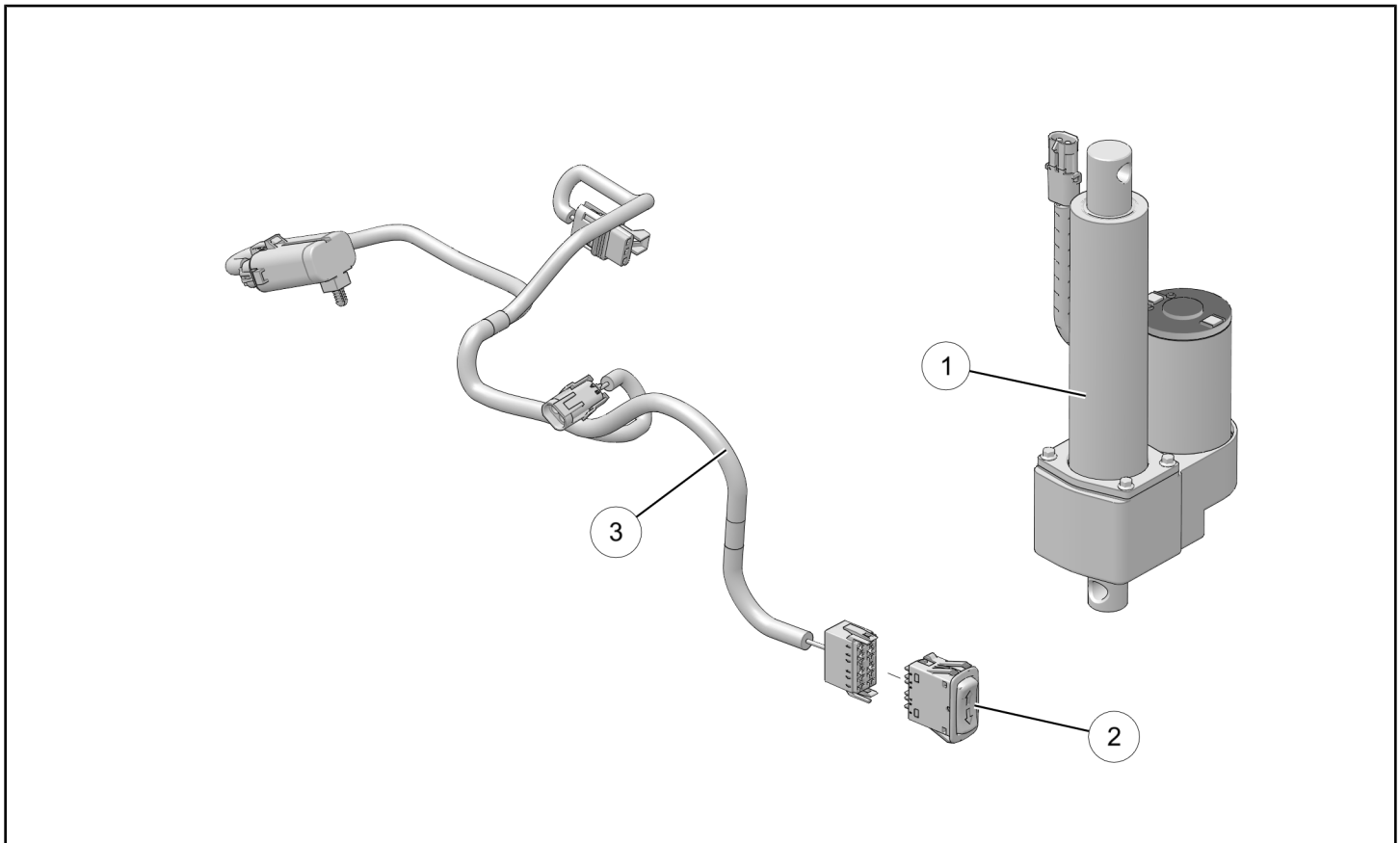
Verify accessory fitment at Polaris.com.

BEFORE YOU BEGIN

Read these instructions and check to be sure all parts and tools are accounted for. Please retain these installation instructions for future reference and parts ordering information.

KIT CONTENTS

This Kit includes:



REF	QTY	PART DESCRIPTION	PART NUMBER
1	1	Actuator, Box Lift	4018569
2	1	Switch	4017089
3	1	Harness	2413975
4	4	Cable Tie (not shown)	7080138
	1	Instructions	9929558

TOOLS REQUIRED

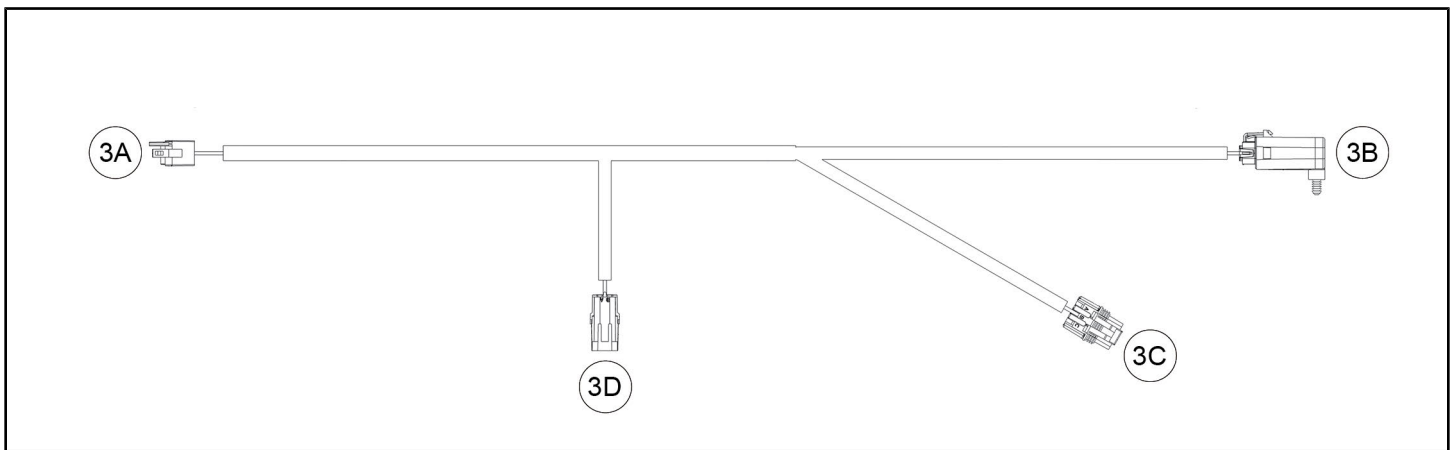
- Safety Glasses
- Cutting Tool
- Drill
- Drill Bit: 1/4 inch (6 mm)
- Pliers, Push Pin Rivet
- Screwdriver Set, Torx®
- Socket Set, Metric
- Vehicle Lift/Support Equipment
- Wrench Set, Metric

IMPORTANT

Your Box Lift Kit is exclusively designed for your vehicle. Please read the installation instructions thoroughly before beginning. Installation is easier if the vehicle is clean and free of debris. For your safety, and to ensure a satisfactory installation, perform all installation steps correctly in the sequence shown.

HARNESS DETAIL

HARNESS ③:



REF	PART DESCRIPTION	WIRE COLOR	PIN QTY/ GENDER	CONNECTS TO
3A	Switch, Box Lift	-	12 female	Switch ②
3B	Relay/Fuse Block	-	-	Vehicle structure
3C	Connector, Terminal Block	-	3 female	Vehicle terminal block
3D	Connector, Main Vehicle Harness	-	2 male	Main vehicle harness breakout

INSTALLATION INSTRUCTIONS

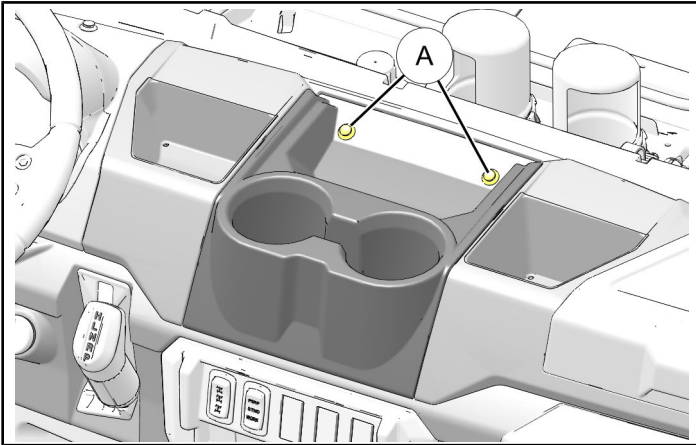
1. Shift vehicle transmission into "PARK". Turn ignition switch to "OFF" position and remove key.
2. Flip up passenger seat bottom (CREW: right rear passenger seat bottom) and remove underseat storage compartment. Disconnect black negative (-) cable from battery.

⚠ WARNING

Ensure red positive (+) battery terminal is **COMPLETELY COVERED** by protective boot. Accidental tool contact across both battery terminals will result in high current electrical arc, and may result in battery explosion. Death or serious personal injury may occur.

3. Gain access.

- a. Raise vehicle bed.
- b. Remove hood.
- c. Remove upper dash cupholder by removing two push pin rivets (A), then sliding cupholder rearward. Retain rivets.

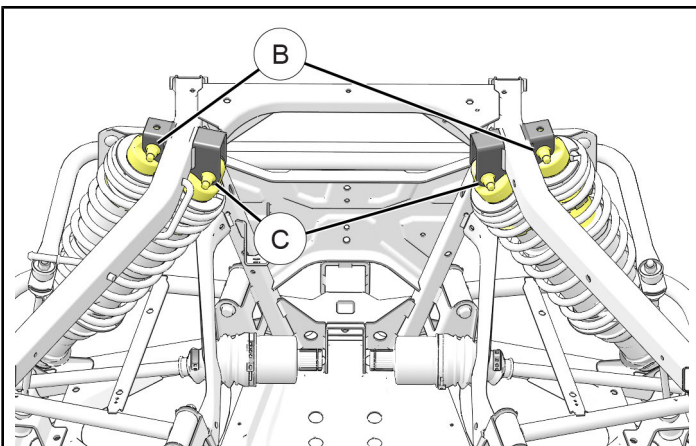


4. Determine if REAR shock absorbers are mounted in required position for clearance from box lift actuator ①.

- If UPPER ends of shock absorbers are secured to **OUTBOARD** mounting holes (B), then proceed to Step 5.
- If UPPER ends of shock absorbers are secured to **INBOARD** mounting holes (C), then reposition BOTH shock absorbers to **OUTBOARD** mounting holes (B) per the following procedure:

NOTE

View looking rearward.



WARNING

DO NOT USE JACK TO STABILIZE OR SUPPORT VEHICLE. **Chocks** must be used to stabilize vehicle prior to lifting. **Blocks** or jack stands must be used to support vehicle after lifting.

Failure to properly chock and block vehicle may allow vehicle to fall, resulting in severe injury or death.

NEVER place any part of your body under lifted vehicle without properly chocking and blocking vehicle.

- a. Securely chock front and rear sides of both front tires to prevent vehicle from moving.
- b. Following all jack instructions, raise vehicle rear frame far enough off ground to relieve suspension load. Support vehicle with blocks or jack stands designed for that purpose and which have adequate weight capacity.
- c. Remove upper shock mounting fastener, move shock from inboard (soft ride) position (C) to outboard (heavy load) position (B), then reinstall fasteners. Torque to specification.

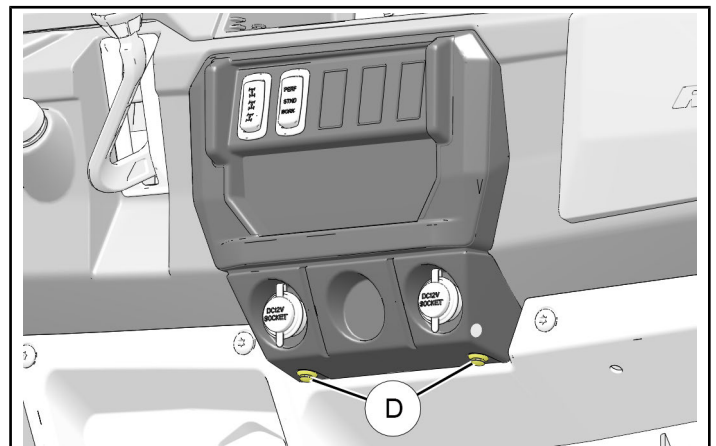
TORQUE

40 ft. lbs (54 Nm) ± 10%

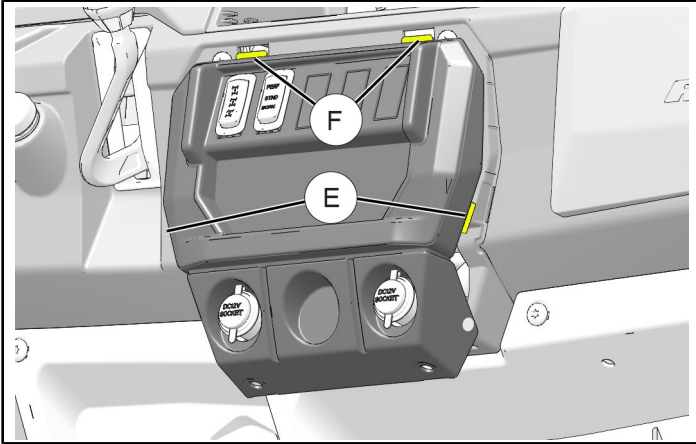
- d. Remove support equipment and lower vehicle.

5. Install switch.

- a. Remove two push pin rivets (D) from lower face of control panel. Retain rivets.



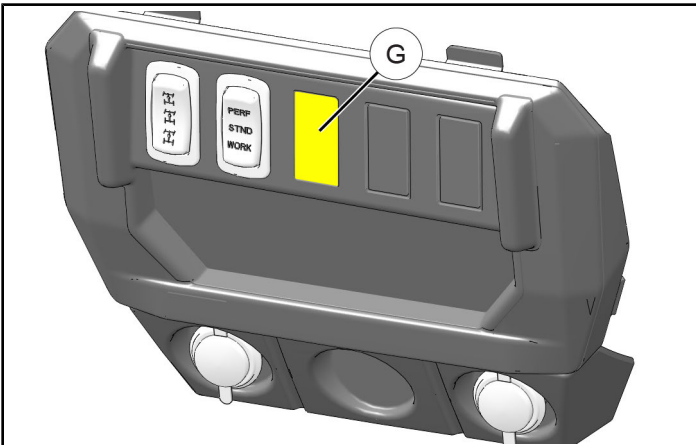
- b. Rotate bottom of control panel rearward, disengaging two side tabs (E), then drop two upper tabs (F) out of slots in main dash panel.



- c. Label and disconnect electrical harnesses from switches, sockets, or other devices in control panel.
- d. Carefully cut out one rectangular switch blank (G) from control panel. Debur edges.

NOTE

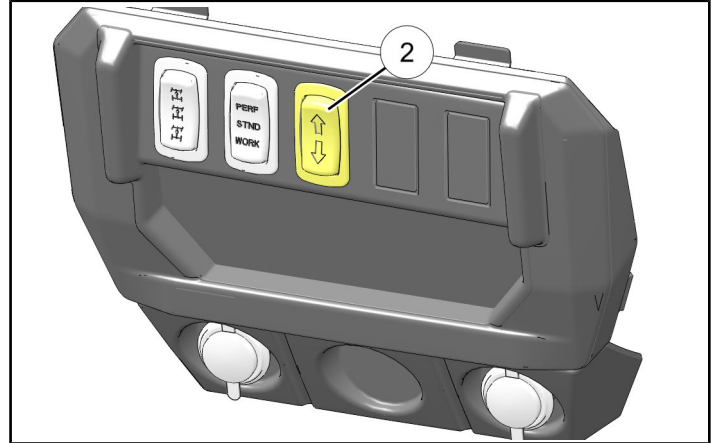
Any open location may be used.



- e. Install switch (2) in control panel opening.

NOTE

Switch vertical orientation will be verified in Step 12.



6. Route harness.

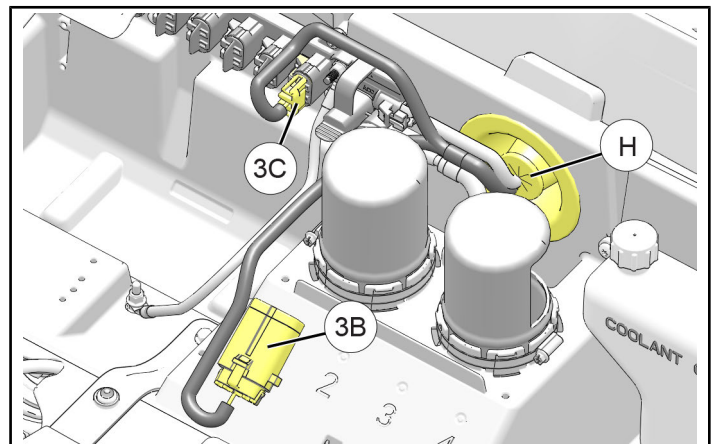
NOTE

See previous section, **HARNES DETAIL**, for connector identification.

- a. Route connectors 3A and 3D on box lift harness (3) from under-hood compartment rearward through firewall grommet (H) into upper dash compartment.

NOTE

Relay/fuse block 3B and terminal block connector 3C remain on forward side of firewall. Grommet may be temporarily removed to facilitate harness passage.

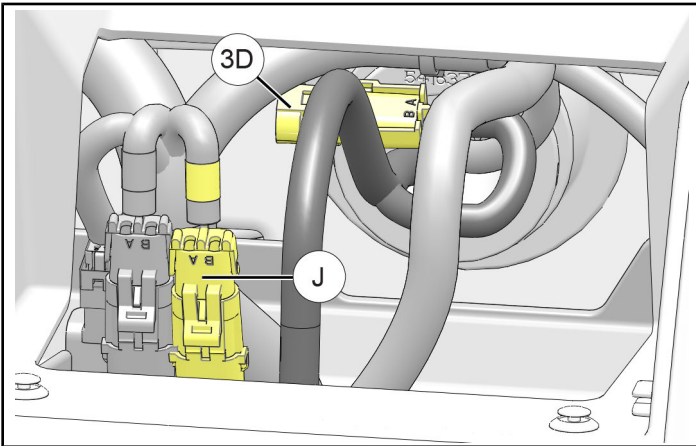


- b. Drill out one accessory plug (1/4 inch / 6 mm) on under-hood liner, forward of air intake ducts, then install relay/fuse block 3B using attached fir tree clip.

IMPORTANT

Control drill depth to prevent damage to underlying structure or components.

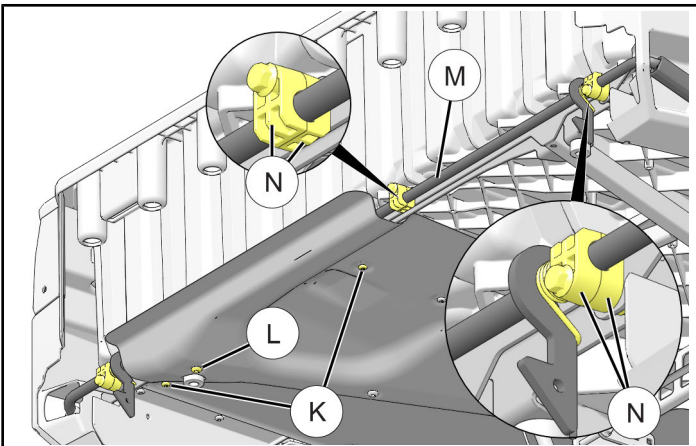
- c. Open power cap on vehicle terminal block at any open location, then plug in connector 3C.
- d. Reaching through cupholder cutout, remove cap from main vehicle harness breakout connector ① (identified as **BOX SWITCH**), then join to connector 3D on harness ③.



- e. Join connector 3A on harness ③ to switch ② in control panel.
- f. Reconnect electrical harnesses disconnected in Step 5c. above, then reinstall control panel into main dash panel using only side tabs ⑤ and upper tabs ⑥ as shown in Step 5b. Do not reinstall two retained rivets ④ at this time.

7. Remove bed lock lever.

- a. Remove two screws ⑧ and one screw ⑨ from forward end of bed heat shield. Retain screws.



- b. Near center of lock lever ⑩ remove bolt and nut securing lock lever mounting blocks ⑪.

CAUTION

Lock lever will be under spring tension in next step. Hold lever handle securely to prevent rapid lever movement and possible injury.

- c. At each end of lock lever ⑩ carefully remove bolt and nut securing lock lever mounting blocks ⑪, then remove lock lever. Hardware and blocks will not be reused.
- d. Remove lock lever by carefully pulling forward end of heat shield down slightly. Lock lever and springs will not be reused.
- e. Reinstall two screws ⑧ and one screw ⑨ at forward end of heat shield.

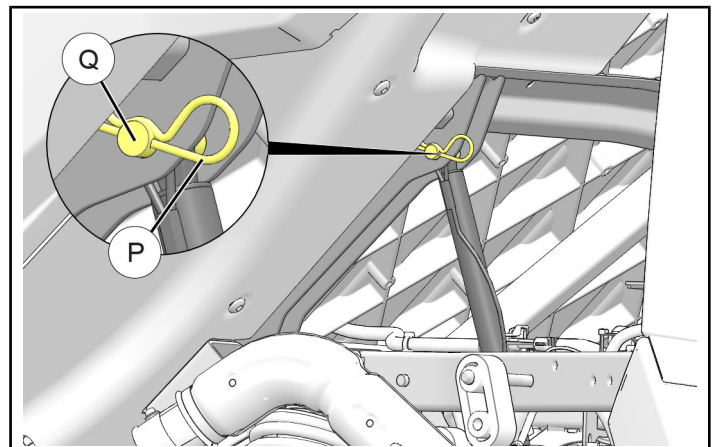
CAUTION

When lift assist strut is removed vehicle bed can free fall to closed position, resulting in personal injury or damage to vehicle. Secure bed in open position if wind or other factors may cause bed to close unexpectedly.

- 8. Remove hairpin clip ⑫ and clevis pin ⑬ from each end of lift assist strut, then remove strut and fully open bed (over-center). Retain clips and pins. Strut (and safety cable, if installed) will not be reused.

NOTE

Upper clip and pin shown; lower clip and pin similar.

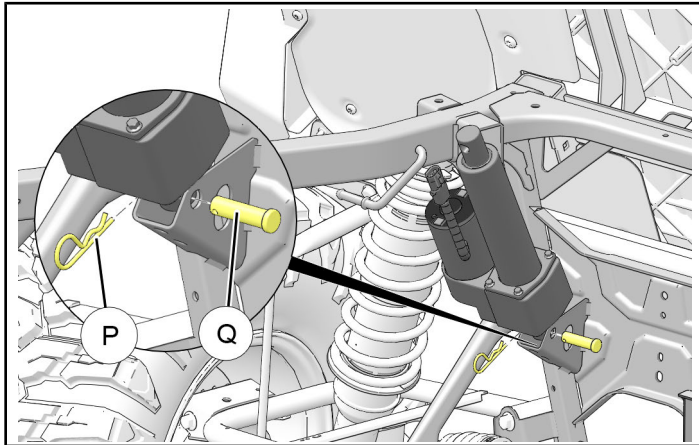


9. Install box lift actuator ① to chassis mounting bracket using retained clevis pin ⑩ and hairpin clip ⑰.

Ensure proper orientation: motor should be oriented downward and on side closest to shock as shown.

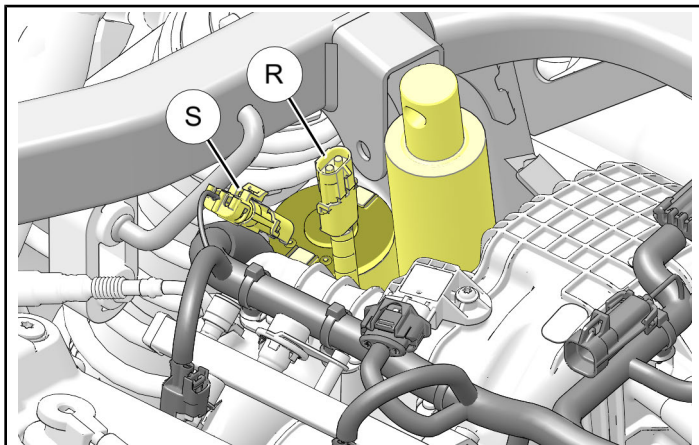
NOTE

Engine, driveline, and other vehicle components hidden for clarity.



10. Extend actuator rod.

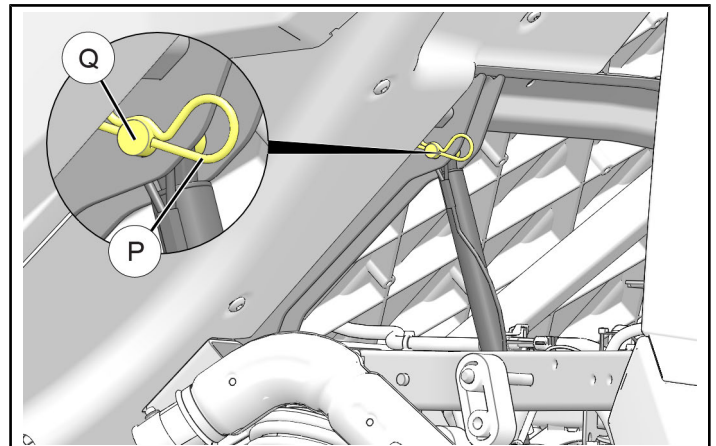
- a. Ensure box lift actuator ① is positioned (and secured, if necessary) to prevent vehicle damage when rod is extended.
- b. Join box lift connector ⑲ to main harness breakout connector ⑳.



- c. Reconnect black negative (-) cable to battery.
- d. Turn ignition switch to "ON" position. Do not start engine.

- e. Depress UPPER arrow on box lift switch ②.
 - If box lift rod begins extending, keep depressing arrow until rod is fully extended.
 - If box lift actuator motor operates but rod remains retracted, then depress LOWER arrow on box lift switch until rod is fully extended. Switch orientation will be corrected in Step 12.
- f. Turn ignition switch to "OFF" position and remove key.

11. Install box lift actuator ① to bed mounting bracket using retained clevis pin ⑩ and hairpin clip ⑰.



12. If box lift rod operated in SAME direction as arrow on switch ②, then proceed to Step 13.

Otherwise, perform the following:

- a. Disconnect black negative (-) cable from battery.
 - b. Remove control panel from main dash panel. See Step 5.
 - c. Remove switch from control panel, rotate switch 180 degrees, then reinstall in panel.
 - d. Reinstall control panel, including two push pin rivets ①.
 - e. Reconnect black negative (-) cable to battery.
13. Secure harnesses at actuator and in upper dash using cable ties ④ to prevent contact with hot components, sharp edges, or moving parts. Ensure adequate harness slack exists to accommodate actuator operation.

14. Turn vehicle key to “ON” position but do not start vehicle. Operate box lift incrementally, checking the following items at each increment, until full travel is achieved:

- Proper actuator/box lift operation
- Harness secured so as to avoid tension during actuator travel
- Harness secured so as to prevent pinching by actuator or box movement

NOTE

Actuator is equipped with an overrunning clutch and will make a loud clicking sound when full travel is reached in either direction. This is normal and does not damage the actuator.

15. Turn ignition switch to “OFF” position and remove key.

16. Restore access (including control panel push pin rivets ①, if not yet installed).

CLEANING: Remove debris regularly, cleaning actuator housing with mild soap and water. Do NOT clean actuator with a pressure washer.

FEEDBACK FORM

A feedback form has been created for the installer to provide any comments, questions or concerns about the installation instructions. The form is viewable on mobile devices by scanning the QR code or by clicking [HERE](#) if viewing on a PC.

FEEDBACK FORM

