

VEHICLE-TO-VEHICLE ANTENNA KIT



P/N 2884004

BEFORE YOU BEGIN

Read these instructions and check to be sure all parts and tools are accounted for. Please retain these installation instructions for future reference and parts ordering information.

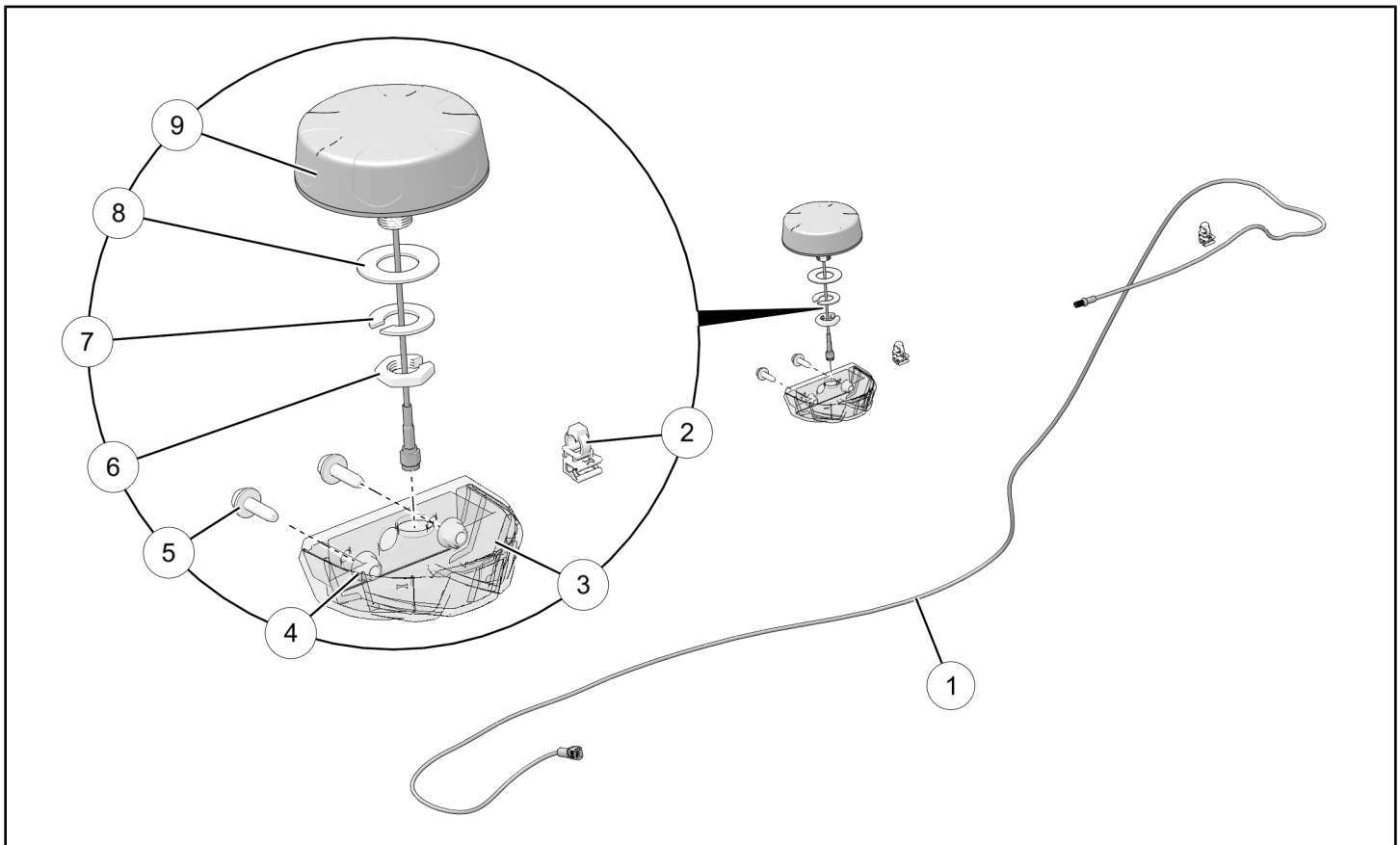
REQUIRED, SOLD SEPARATELY

This kit only contains parts for installation of the Vehicle-to-Vehicle Antenna Kit. Installation of the following additional kits is also required (sold separately):

- Ride Command® Installation Kit, PN 2884564, 2882872, or equivalent
- Ride Command® Display Kit, PN 2884002 or equivalent

KIT CONTENTS

This Kit includes:



REF	QTY	PART DESCRIPTION	PART NUMBER
1	1	Harness, Antenna, Vehicle-to-Vehicle	2414287
2	2	Edge Clip	7082403
3	1	Cover, Antenna, Vehicle-to-Vehicle	5455351
4	2	Nut, Hex Flange, Locking - M6 X 1.0, 8.8	7547339
5	2	Screw, Hex Flange, Self-Tapping - M6 X 1.0 X 20	7518529

REF	QTY	PART DESCRIPTION	PART NUMBER
6	1	Nut, Slotted	-
7	1	Washer, Steel, Slotted	-
8	1	Washer, Rubber	-
9	1	Antenna, Vehicle-to-Vehicle	4017534
10	4	Cable Tie, 7 inch (not shown)	7080138

TOOLS REQUIRED

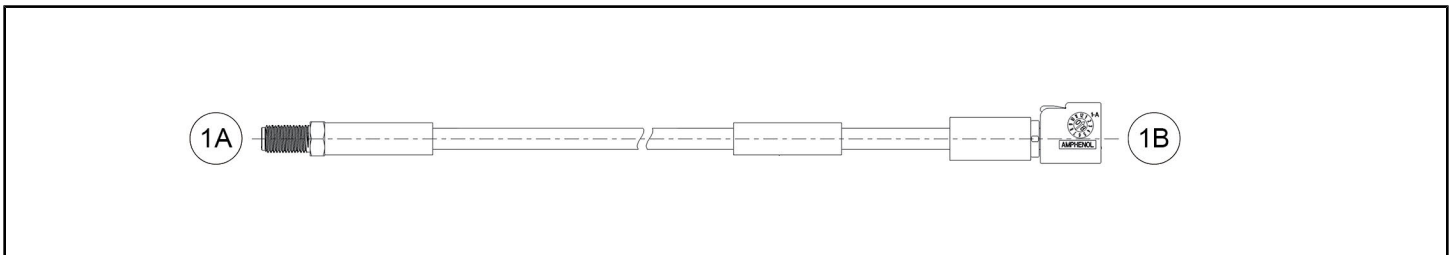
- Safety Glasses
- Fish Tape (or equivalent)
- Pliers, Push Pin Rivet
- Push Dart (Panel Clip) Tool
- Screwdriver Set, Torx®
- Socket Set, Metric
- Wrench Set, Metric

IMPORTANT

Your Vehicle-to-Vehicle Antenna Kit is exclusively designed for your vehicle. Please read the installation instructions thoroughly before beginning. Installation is easier if the vehicle is clean and free of debris. For your safety, and to ensure a satisfactory installation, perform all installation steps correctly in the sequence shown.

HARNES DETAIL

ANTENNA HARNES ①:



REF	PART DESCRIPTION	WIRE COLOR	PIN QTY/ GENDER	CONNECTS TO
1A	Connector, Antenna, Vehicle-to-Vehicle	-	female coaxial	Vehicle-to-vehicle antenna ⑨
1B	Connector, Antenna Signal, Vehicle-to-Vehicle	Gold	FAKRA	RIDE COMMAND® Display Kit

INSTALLATION INSTRUCTIONS

VEHICLE PREPARATION

DISCONNECT BATTERY

1. Shift vehicle transmission into "PARK". Turn ignition switch to "OFF" position and remove key.

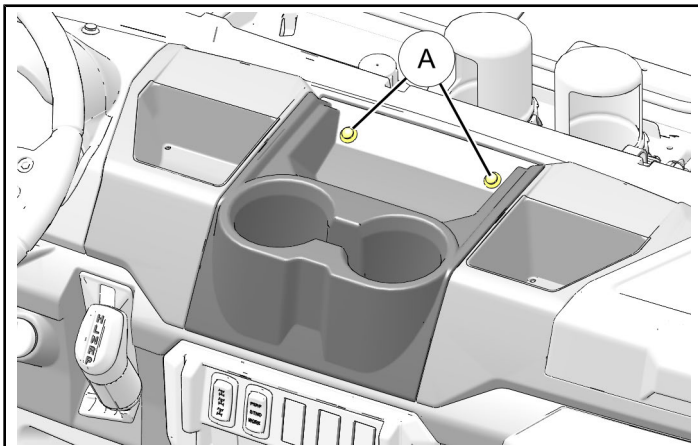
WARNING

Ensure red positive (+) battery terminal is COMPLETELY COVERED by protective boot. Accidental tool contact across both battery terminals will result in high current electrical arc, and may result in battery explosion. Death or serious personal injury may occur.

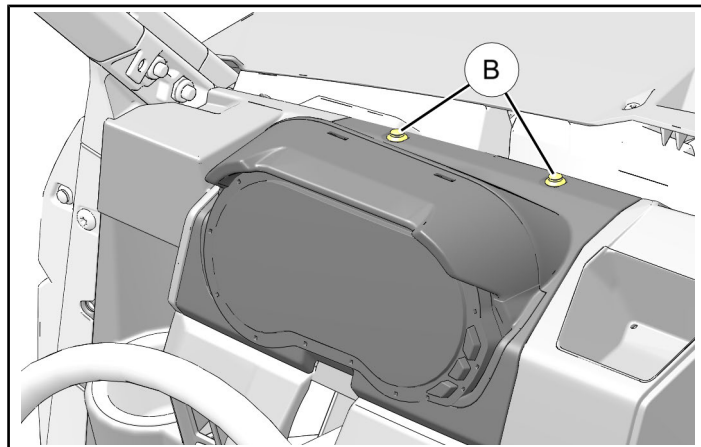
2. Flip up passenger seat bottom (**CREW VEHICLES**: right rear passenger seat bottom) and remove underseat storage compartment. Disconnect black negative (-) cable from battery.

REMOVE UPPER DASH PANEL

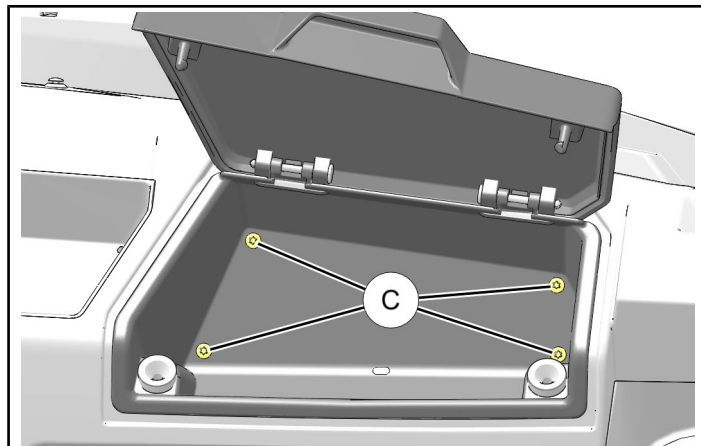
1. Remove hood.
2. If windshield is installed, then open or remove it as required to gain access to upper dash.
3. Remove upper dash cupholder by removing two push pin rivets (A), then slide cupholder rearward. Retain rivets.



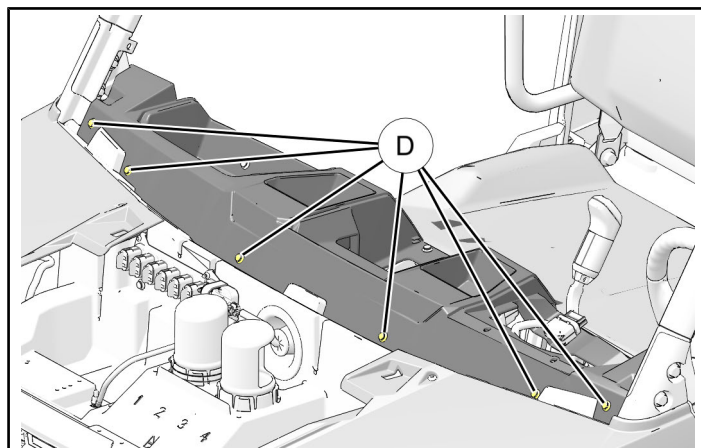
4. Tilt steering wheel to full down position. Detach instrument cluster hood by removing two push pin rivets (B), then slide hood (with instrument cluster) rearward. Disconnect instrument cluster wiring harness. Retain rivets.



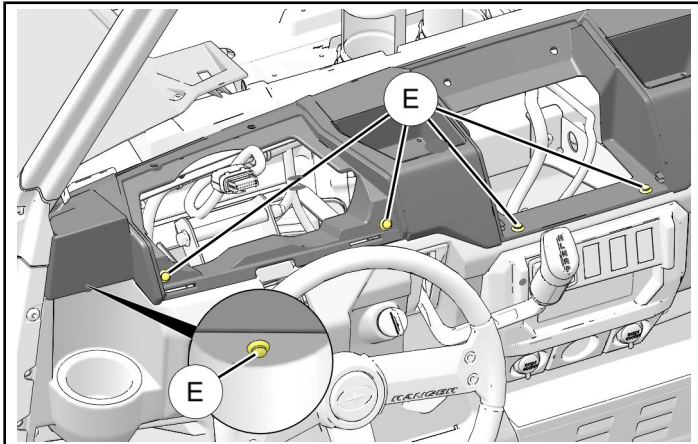
5. Open door to upper storage compartment. Remove four screws (C) from forward wall of compartment, then remove compartment/door assembly from dash. Retain screws.



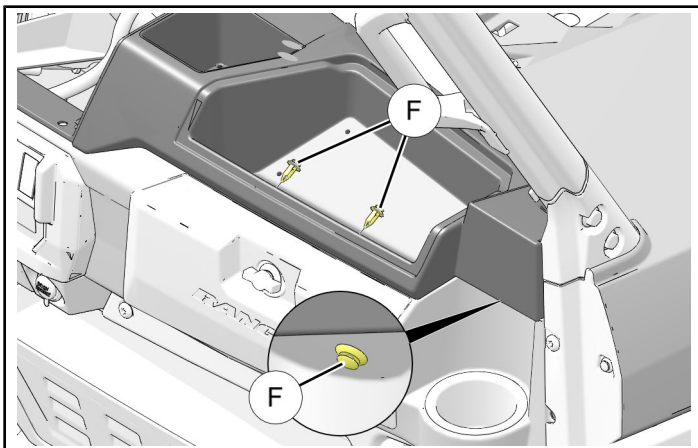
6. Remove upper dash.
 - a. Remove six push pin rivets (D) along forward edge of dash.



- b. Remove five push pin rivets (E) from LH side of dash: two at center cupholder, two at instrument cluster, and one on underside of dash above cupholder.



- c. Remove three push pin rivets (F) from RH side of dash: two inside upper storage area and one on underside of dash above cupholder.



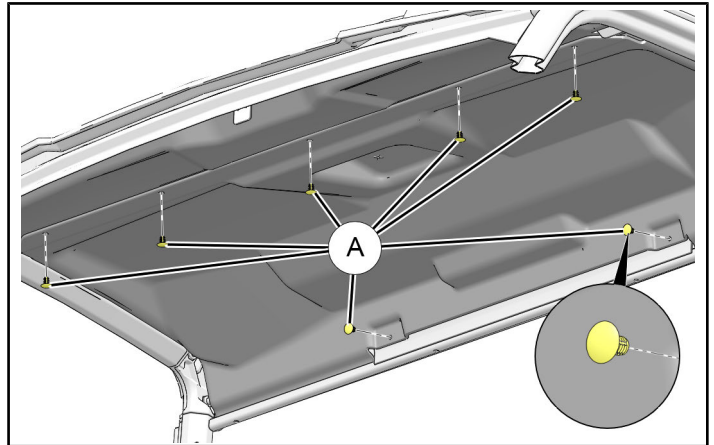
- d. Remove upper dash from vehicle and set aside.

NOTE

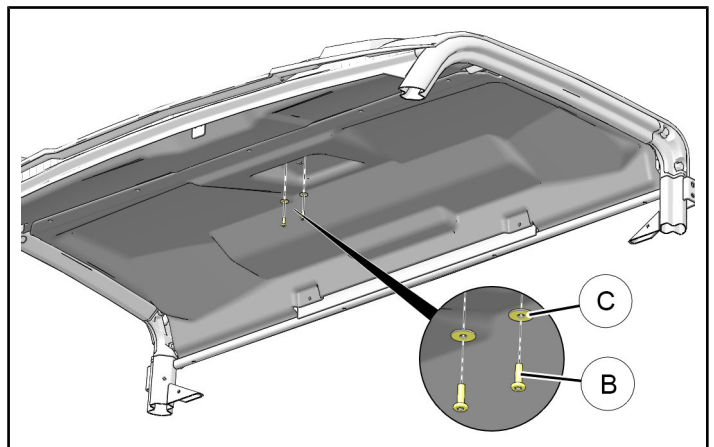
Vehicles with Heater Ducting: Either cut cable ties securing ducts to vents, or leave cable ties intact and partially lift upper dash to gain access.

REMOVE ROOF LINER

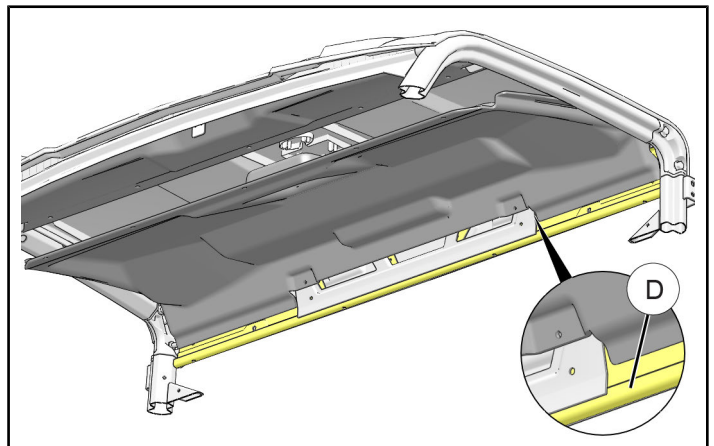
1. Remove optional (roof mounted) speakers and/or dome light, if installed.
2. Remove seven push darts (A), two from rear edge and five from front edge. Retain push darts.



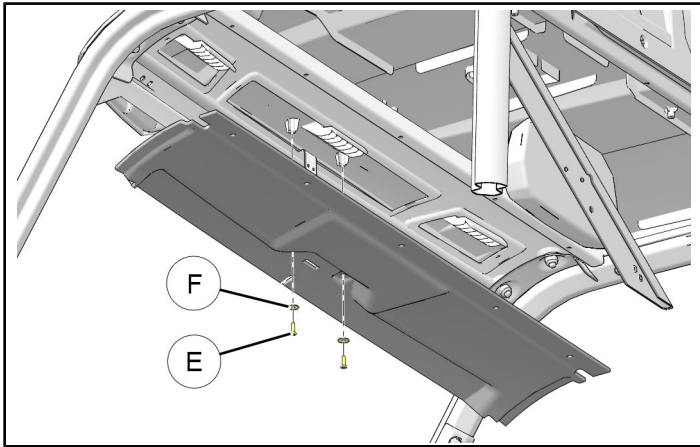
3. Remove two each screws (B) and washers (C) (if installed).



4. Carefully pull LH and RH edges of liner from between ROPS and roof seal, then remove rear edge of liner from roof support channel (D).



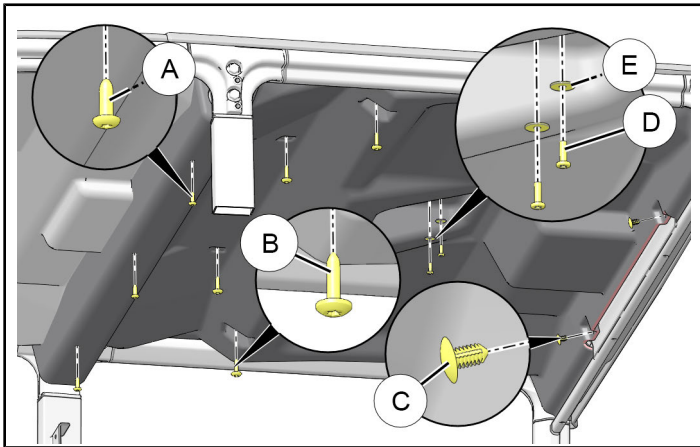
- Remove visor liner by removing two each screws (E) and washers (F). Retain hardware.



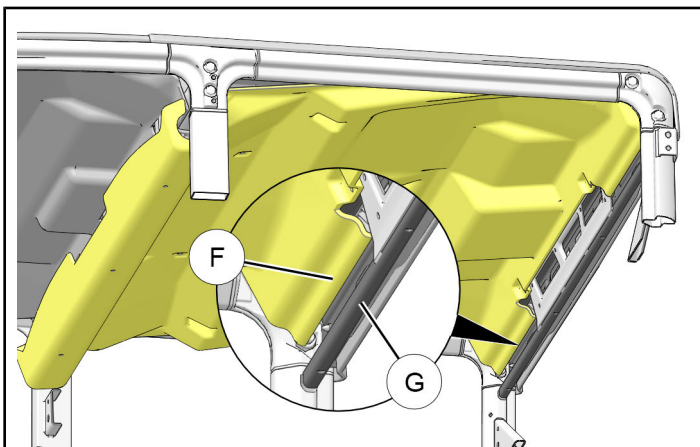
REMOVE CREW ROOF LINER

REAR LINER

- Remove optional (roof mounted) speakers and/or dome light, if installed.
- Remove three screws (A) beneath B-pillar cross-member, four screws (B), two push darts (C), and two each screws (D) and washers (E) (if installed). Retain hardware.

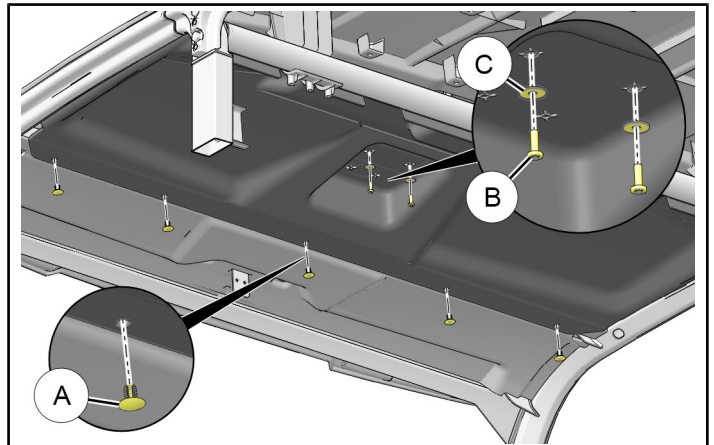


- Carefully pull LH and RH edges of liner down from between ROPS and roof seal, then remove rear edge of liner (F) from roof support channel (G).

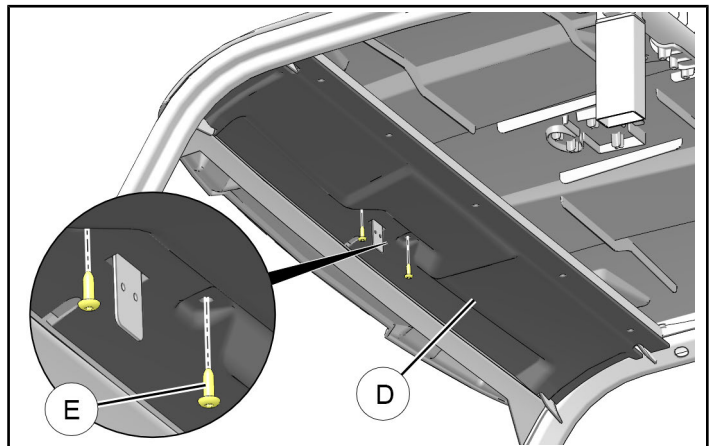


FRONT LINER

- Remove optional (roof mounted) speakers and/or dome light, if installed.
- Remove five push darts (A), and two each screws (B) and washers (C) (if installed).



- Carefully pull LH and RH edges of liner from between ROPS and roof seal.
- Remove visor liner (D) by removing two each screws (E). Retain hardware.



ACCESSORY INSTALLATION

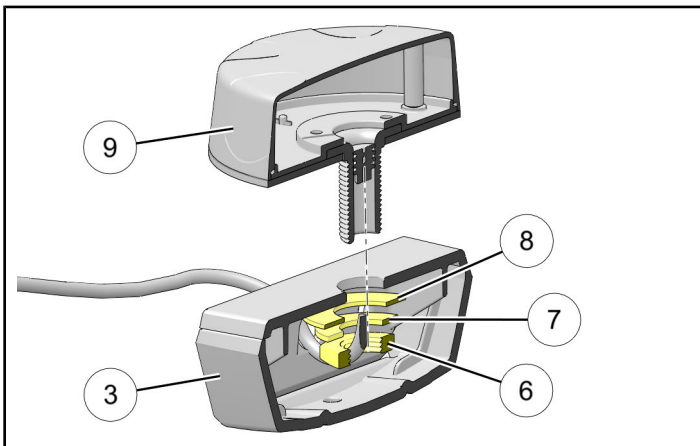
INSTALL ANTENNA

1. Open clamshell cover ③. Insert cable and threaded fitting on antenna ⑨ through hole in top of clamshell cover, then through rubber washer ⑧.

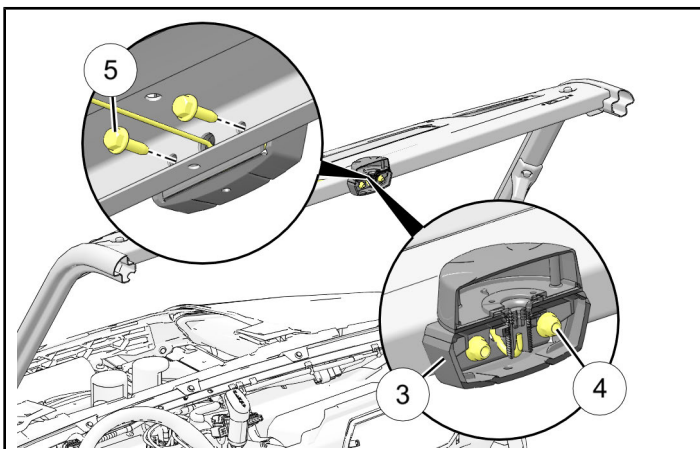
Route antenna cable through hole in back of cover, slide slotted washer ⑦ and slotted nut ⑥ over cable, then tighten nut. Torque to specification.

TORQUE

60 in-lbs (6.8 N·m)



2. Route antenna cable forward through hole in ROPS visor, then install clamshell cover ③ to visor using two each screws ⑤ and nuts ④. Tighten nuts, then close cover.



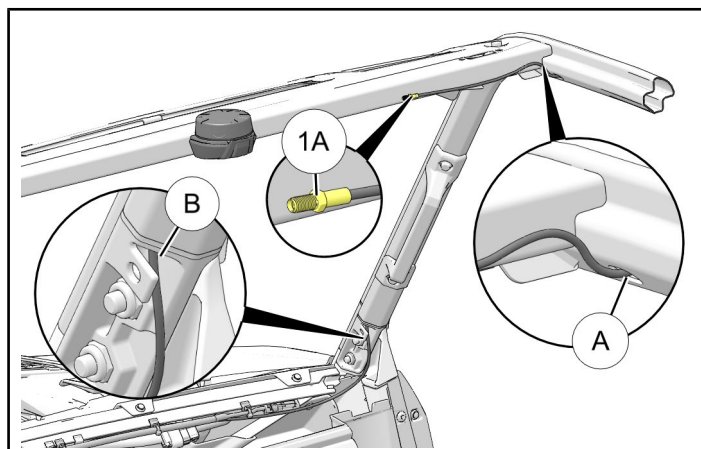
INSTALL ANTENNA HARNESS

NOTE

See previous section, **HARNESS DETAIL**, for connector identification.

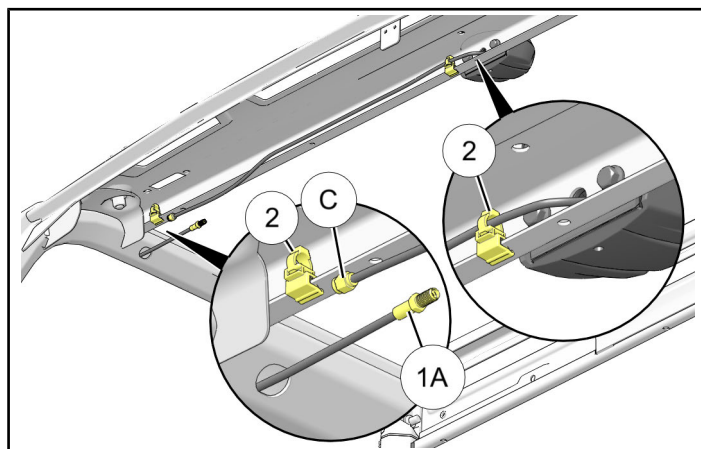
1. Feed fish tape (or equivalent) through oval hole ① at top of A-pillar, then down and out hole ② at base of A-pillar.

Attach vehicle-to-vehicle antenna connector 1A to fish tape, then carefully pull connector up and out top of A-pillar.



2. Join connector 1A on antenna harness ① to connector ③ on antenna ⑨. Carefully pull any excess cable down ROPS into upper dash.

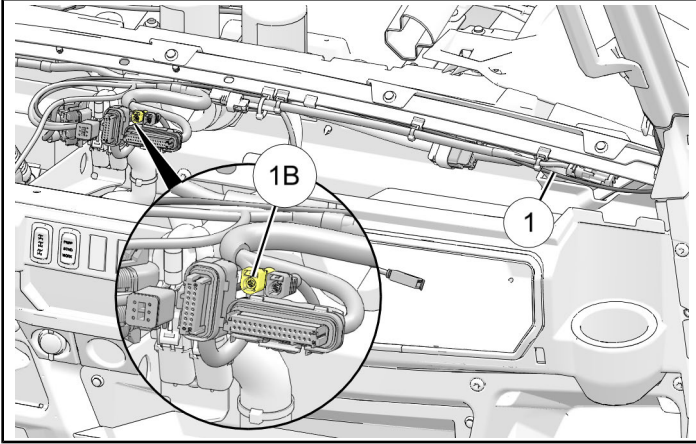
Ensure harness is routed to prevent contact with hot components, sharp edges, or moving parts, then secure to visor using two edge clips ② as shown.



3. Route connector 1B on opposite end of harness ① along dash support bracket towards center of upper dash.

NOTE

RIDE COMMAND® display, bezel, and bracket not shown for clarity.



4. Ensure harness ① is routed to prevent contact with hot components, sharp edges, or moving parts (including suspension, steering, and shift lever components throughout their full range of travel).

Coil any excess harness, then secure to main chassis harness using four cable ties ⑩.

FINISHING STEPS

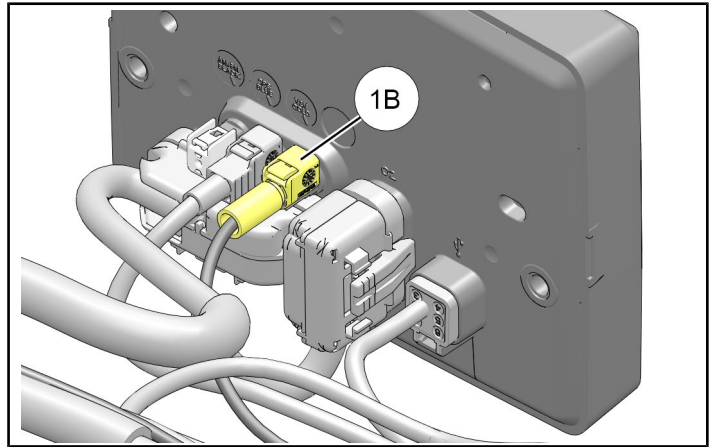
If you were directed to this instruction during installation of the RIDE COMMAND® Installation Kit, then return to those kit instructions at this time.

If the RIDE COMMAND® Installation Kit has already been fully installed then continue with these **FINISHING STEPS**:

1. Join connector 1B on harness ① to RIDE COMMAND® display (socket identified as **V2V**).

NOTE

If cap is pre-attached to display socket, then remove it before joining connector 1B. Bezel and bracket hidden for clarity.



2. Restore vehicle condition by reversing the steps in each of these previous sections:
 - **REMOVE ROOF LINER** or **REMOVE CREW ROOF LINER** (as applicable)
 - **REMOVE UPPER DASH PANEL**
 - **DISCONNECT BATTERY**

FEEDBACK FORM

A feedback form has been created for the installer to provide any comments, questions or concerns about the installation instructions. The form is viewable on mobile devices by scanning the QR code or by clicking [HERE](#) if viewing on a PC.

