

# DOOR SPEAKER KIT



**P/N 2882889**

## APPLICATION

Verify accessory fitment at [Polaris.com](http://Polaris.com).

## BEFORE YOU BEGIN

Read these instructions and check to be sure all parts and tools are accounted for. Please retain these installation instructions for future reference and parts ordering information.

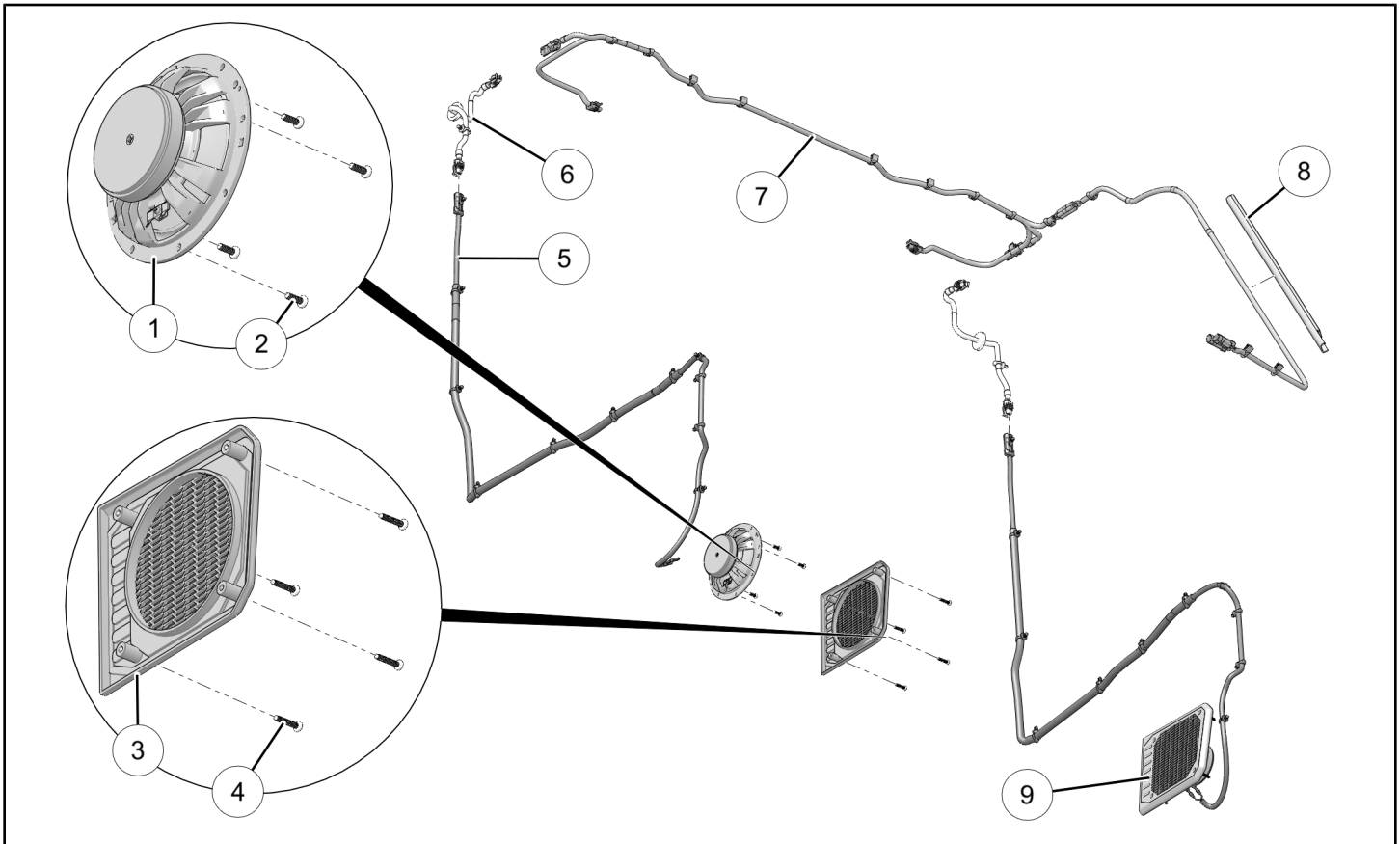
## KIT CONTENTS

This kit contains parts for installation of the door speakers only. Installation of the following additional kits is also required (sold separately):

1. One of the following Roof Kits: PN 2882911 (with Roof Liner Kit 2882914), 2882912, 2882913, or equivalent
2. One of the following Door Kits: Manual Window Door Kit, PN 2882561; Power Window Door Kit, PN 2882562; or equivalent
3. One of the following Audio Kits: Dash Audio Kit, PN 2882750; Visor Audio Kit, PN 2882888; or equivalent

Harness shown below in dash audio configuration; harness can also be installed in visor audio configuration.

This Kit includes:



REF	QTY	PART DESCRIPTION	PART NUMBER
1	2	Speaker	4017469
2*	8	Screw, Torx® Button Head - M5 X 0.8 X 15	-
3	1	Grille, Speaker, RH	5454650
4*	8	Screw, Torx® Button Head - M5 X 0.8 X 25	-
5	2	Harness, Door	2413967
6	2	Harness, Jumper, Roof-to-Door	2414427
7	1	Harness, Signal	2414428
8	1	Conduit, A-pillar	5414966
9	1	Grille, Speaker, LH	5454649
10	3	Clip, Edge (not shown)	7082403
	1	Instructions	9928088

Items marked (\*) are included in Hardware Kit PN 2207167.

## TOOLS REQUIRED

- Safety Glasses
- Cutting Tool
- Deburring Tool
- Pick and Hook Set
- Pliers, Push Pin Rivet
- Push Dart (Panel Clip) Tool
- Ruler
- Scissors
- Screwdriver Set, Torx®
- Socket Set, Metric
- Wrench Set, Metric

## IMPORTANT

Your Door Speaker Kit is exclusively designed for your vehicle. Please read the installation instructions thoroughly before beginning. Installation is easier if the vehicle is clean and free of debris. For your safety, and to ensure a satisfactory installation, perform all installation steps correctly in the sequence shown.

## ASSEMBLY TIME

Approximately 2 to 2-1/2 hours

### NOTE

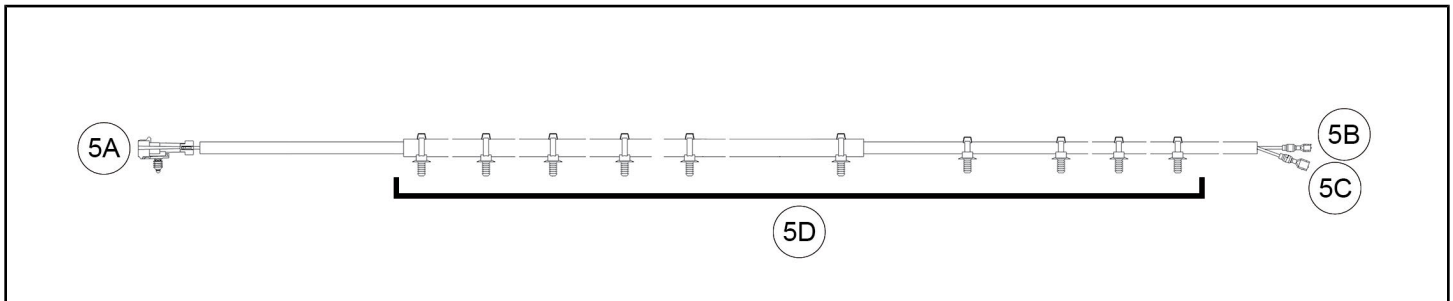
Time dependent on specific installation option chosen and accommodation of other accessories.

## HARNESS DETAIL

### DOOR HARNESS ⑤:

#### NOTE

This harness not used with Power Window Door Kit, PN 2882562.

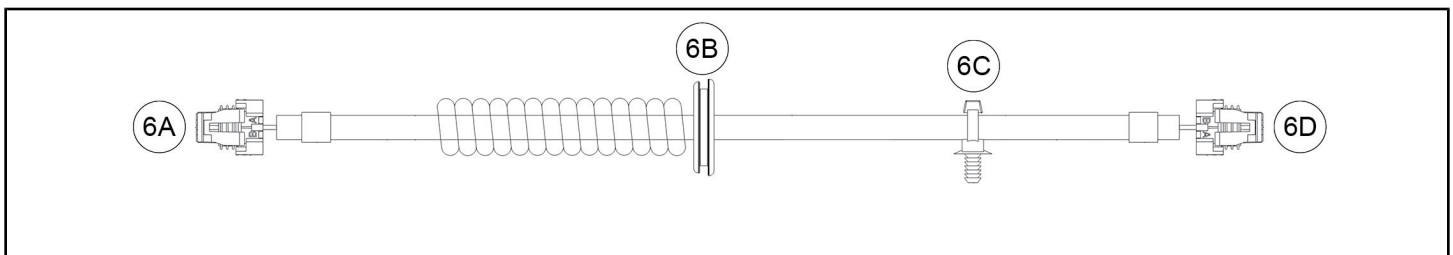


REF	PART DESCRIPTION	WIRE COLOR	PIN QTY/ GENDER	CONNECTS TO
5A	Connector, Speaker Signal IN (with integral routing clip)	-	2 male	Jumper harness ⑥, connector 6D
5B	Terminal, Spade (3/16 inch), Speaker	White	1 female	Speaker, positive (+) terminal
5C	Terminal, Spade (1/4 inch), Speaker	White/Black	1 female	Speaker, negative (-) terminal
5D	Clip, Routing	-	-	Vehicle structure

### JUMPER HARNESS ⑥:

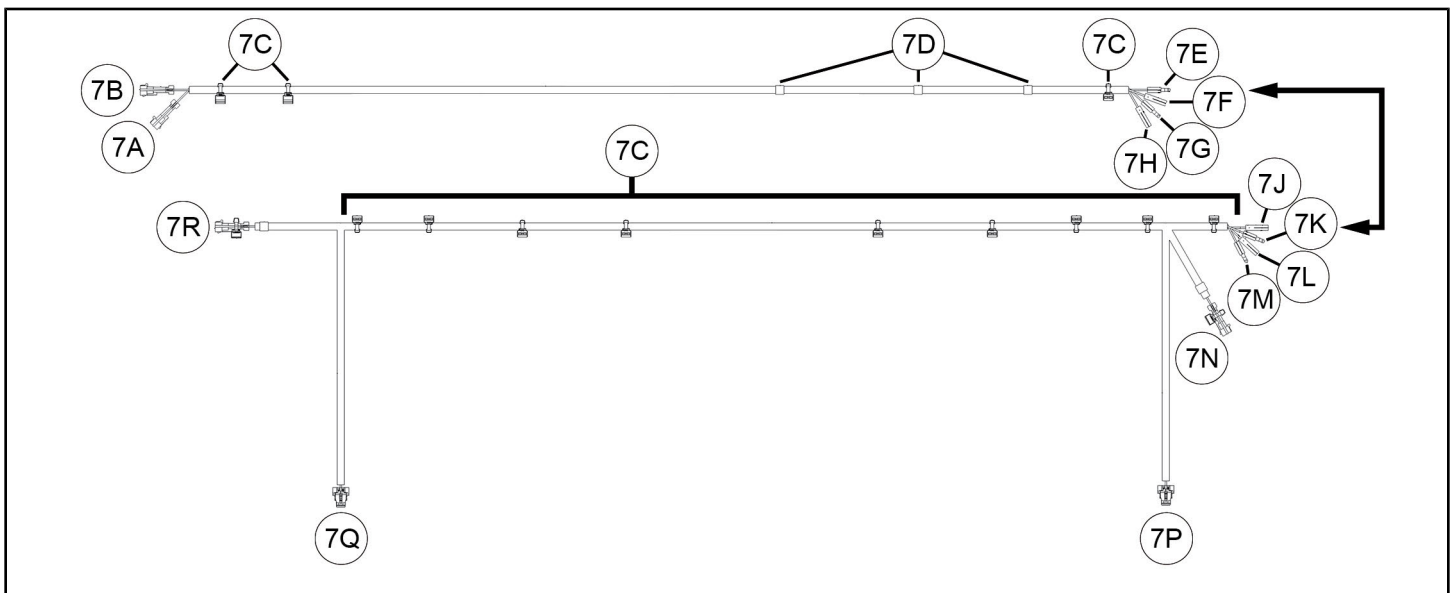
#### NOTE

This harness not used with Power Window Door Kit, PN 2882562.



REF	PART DESCRIPTION	WIRE COLOR	PIN QTY/ GENDER	CONNECTS TO
6A	Connector, Speaker Signal IN (identified as: <b>ROOF</b> )	-	2 female	Signal harness ⑦, connector 7N or 7R
6B	Grommet	-	-	Vehicle structure
6C	Clip, Routing	-	-	Vehicle structure
6D	Connector, Speaker Signal OUT (identified as: <b>DOOR</b> )	-	2 female	Door harness ⑤, connector 5A

## SIGNAL HARNESS ⑦:



REF	PART DESCRIPTION	WIRE COLOR	PIN QTY/ GENDER	CONNECTS TO
7A	Connector, RH Source Unit	Gray*	2 male	Dash Audio Kit (PN 2882750) or Visor Audio Kit (PN 2882888)**
7B	Connector, LH Source Unit	White*	2 male	
7C	Clip, Edge	-	-	Vehicle structure
7D	Tape, White (3 places)	-	-	Identifies installation location for edge clip ⑩ (visor audio source unit only)
7E	Connector, Bullet, LH Negative (-)	White/Black	1 male	PRE-CONNECTED to 7J
7F	Connector, Bullet, RH Positive (+)	Gray	1 female	PRE-CONNECTED to 7K
7G	Connector, Bullet, RH Negative (-)	Gray/Black	1 male	PRE-CONNECTED to 7L
7H	Connector, Bullet, LH Positive (+)	White	1 female	PRE-CONNECTED to 7M
7J	Connector, Bullet, LH Negative (-)	White/Black	1 female	PRE-CONNECTED to 7E
7K	Connector, Bullet, RH Positive (+)	Gray	1 male	PRE-CONNECTED to 7F
7L	Connector, Bullet, RH Negative (-)	Gray/Black	1 female	PRE-CONNECTED to 7G
7M	Connector, Bullet, LH Positive (+)	White	1 male	PRE-CONNECTED to 7H
7N	Connector, Speaker Signal OUT, LH (with integral edge clip) (identified as: <b>LH DOOR</b> )	White*	2 male	Jumper harness ⑥, connector 6A
7P	Connector, Speaker Signal OUT, LH	White*	2 female	Power Window Door Kit, PN 2882562
7Q	Connector, Speaker Signal OUT, RH	Gray*	2 female	
7R	Connector, Speaker Signal OUT, RH (with integral edge clip) (identified as: <b>RH DOOR</b> )	Gray*	2 male	Jumper harness ⑥, connector 6A

\* With or without black stripe.

\*\* Or compatible kit.

## INSTALLATION INSTRUCTIONS

Installation occurs in two parts. First, choose the appropriate SIGNAL HARNESS installation procedure based on the location of your source unit:

- SIGNAL HARNESS INSTALLATION - DASH AUDIO SOURCE UNIT
- SIGNAL HARNESS INSTALLATION - VISOR AUDIO SOURCE UNIT

Second, perform the DOOR HARNESS AND SPEAKER INSTALLATION procedure.

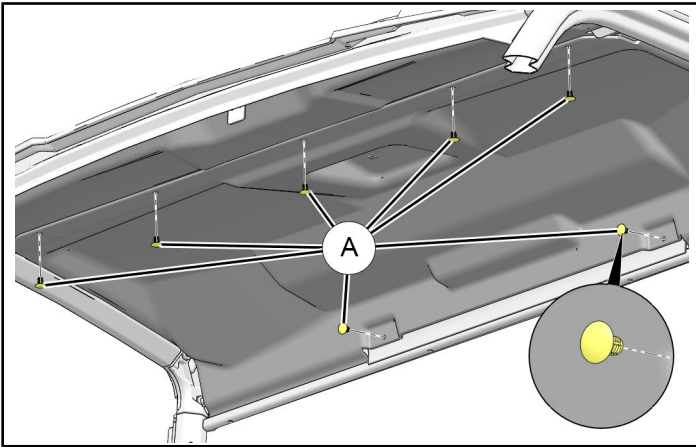
### SIGNAL HARNESS INSTALLATION - DASH AUDIO SOURCE UNIT

1. Shift vehicle transmission into "PARK". Turn ignition switch to "OFF" position and remove key.
2. Flip up passenger seat bottom, remove driver's seat and underseat storage compartment, then disconnect black negative (-) cable from battery.
3. Gain access.
  - a. Remove rear roof liner (if installed).

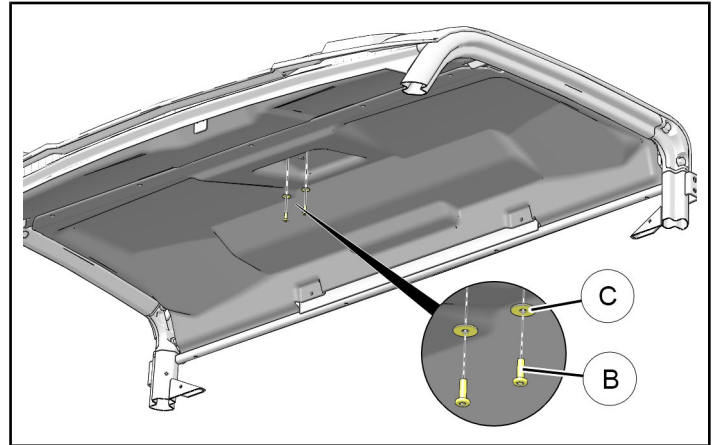
#### NOTE

Front roof liner can remain installed.

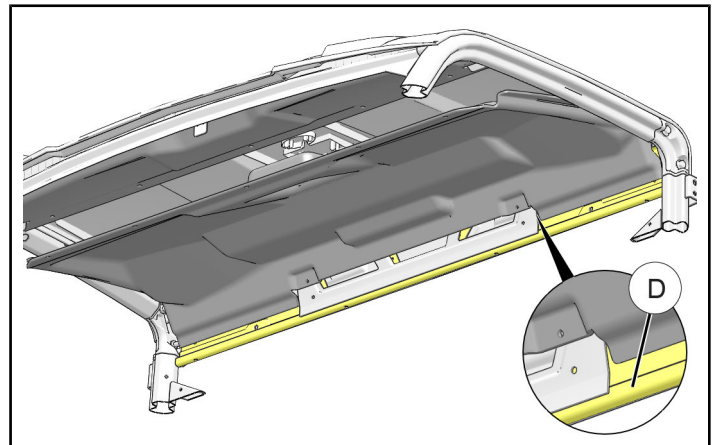
- i. Remove seven push darts (A), two from rear edge and five from front edge. Retain push darts.



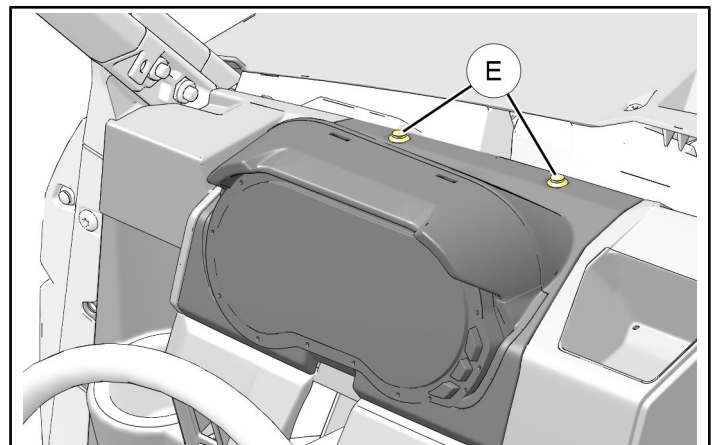
- ii. If overhead light is installed against liner, remove it. Otherwise, remove two each screws (B) and washers (C). Retain hardware.



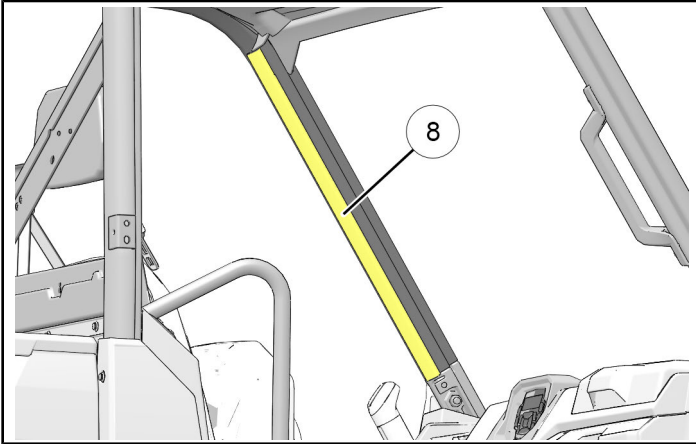
- iii. Carefully pull LH and RH edges of liner from between ROPS and roof seal, then remove rear edge of liner from roof support channel (D). Set liner aside.



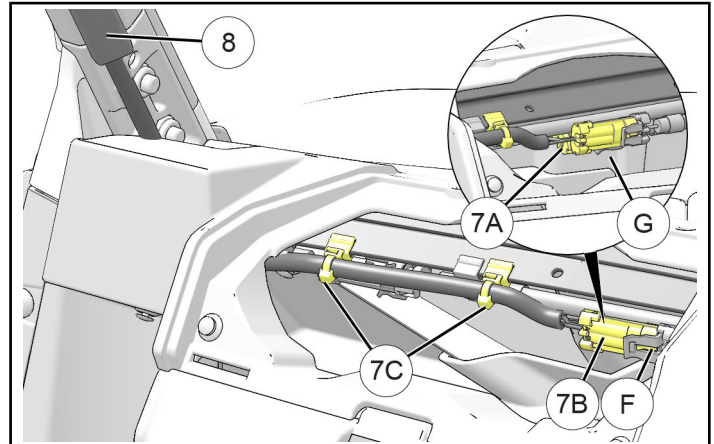
- b. Tilt steering wheel to full down position. Detach instrument cluster hood by removing two push pin rivets (E), then slide hood (with instrument cluster) rearward. Disconnect instrument cluster wiring harness. Retain rivets.



4. Install A-pillar conduit ⑧ by cleaning installation surface as required, peel adhesive backing from conduit, then press firmly into place.



- b. Route source unit connectors 7A and 7B on harness ⑦ down through opening between base of A-pillar and upper dash, then towards instrument cluster opening.



5. Route harness.

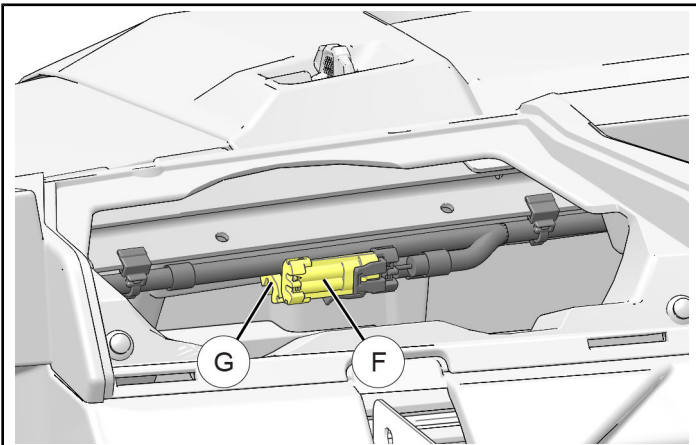
**NOTE**

See previous section, **HARNES DETAIL**, for connector identification.  
Steering wheel hidden for clarity.

- a. Reaching through instrument cluster opening, carefully remove tape securing dash audio **LH SPEAKER** connector ⑤, and **RH SPEAKER** connector ⑥. Remove caps from connectors.

**NOTE**

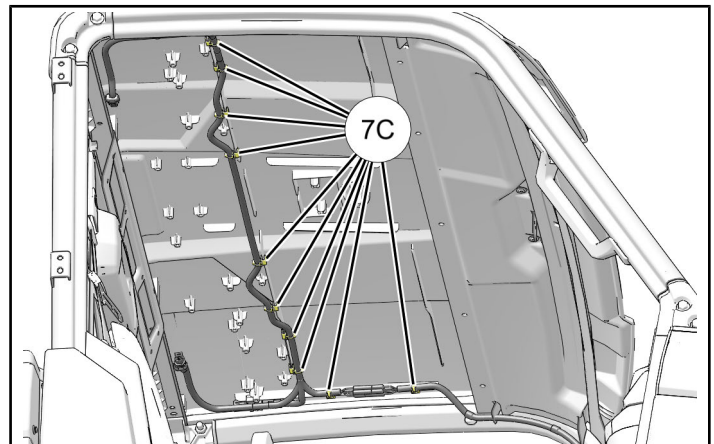
Connectors identified with labels.



- c. Join RH source unit connector 7A (**GRAY** wires) to **RH SPEAKER** connector ⑥.
- d. Join LH source unit connector 7B (**WHITE** wires) to **LH SPEAKER** connector ⑤.
- e. Secure harness ⑦ to front dash support bracket using two edge clips 7C.
- f. Route opposite end of harness ⑦ up A-pillar conduit ⑧, rearward along ROPS, then across lower surface of roof towards RH side. Secure harness to roof using ten edge clips 7C.

**NOTE**

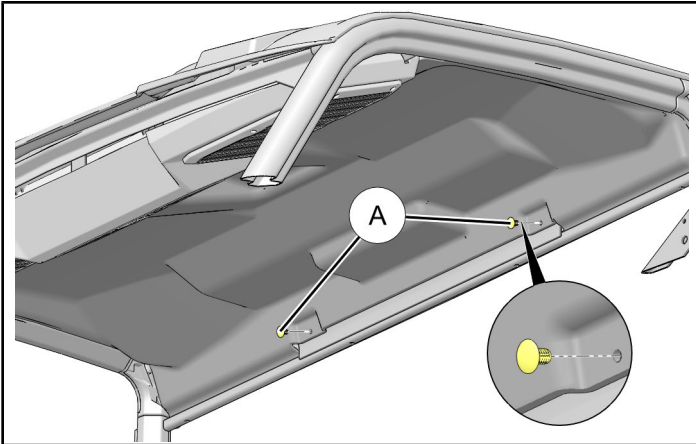
Do not detach bullet connectors 7E through 7M. Connectors are provided for alternate installation procedure not relevant for this application.



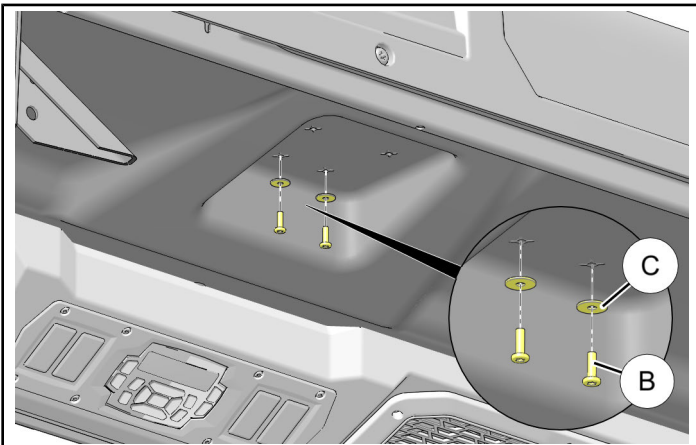
6. Proceed to **DOOR HARNES AND SPEAKER INSTALLATION**.

## SIGNAL HARNESS INSTALLATION - VISOR AUDIO SOURCE UNIT

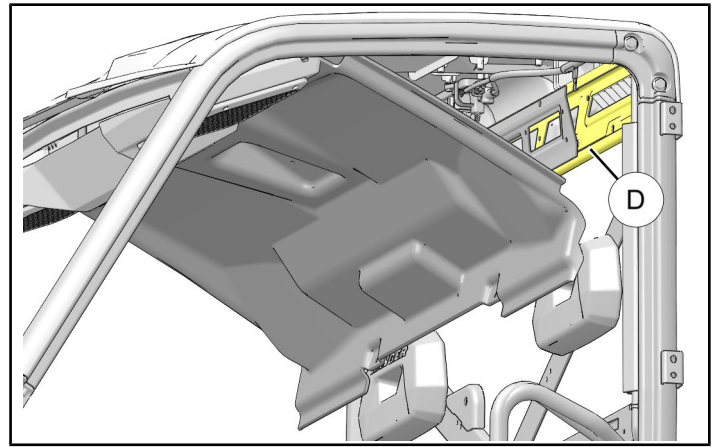
1. Shift vehicle transmission into "PARK". Turn ignition switch to "OFF" position and remove key.
2. Gain access.
  - a. Remove rear roof liner (if installed).
    - i. Remove two push darts (A) from rear edge of liner. Retain push darts.



- ii. If overhead light is installed against liner, remove it. Otherwise, remove two each screws (B) and washers (C). Retain hardware.



- iii. Carefully remove rear edge of liner from roof support channel (D), then pull LH and RH edges of liner from between ROPS and roof seal. Slip liner out from above visor audio and set aside.

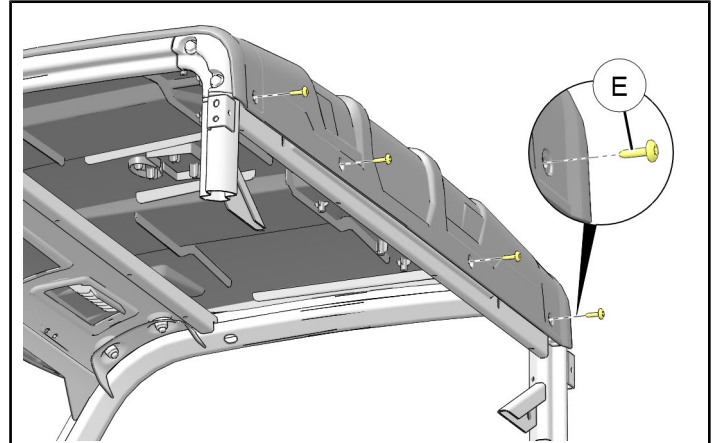


- b. Remove roof.

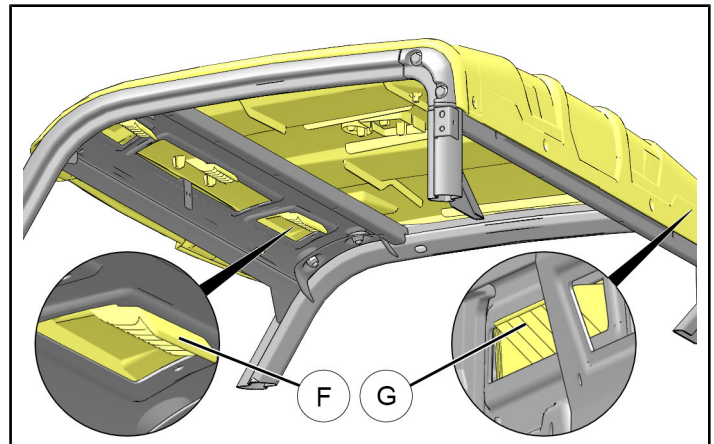
### NOTE

Visor audio not shown for clarity.

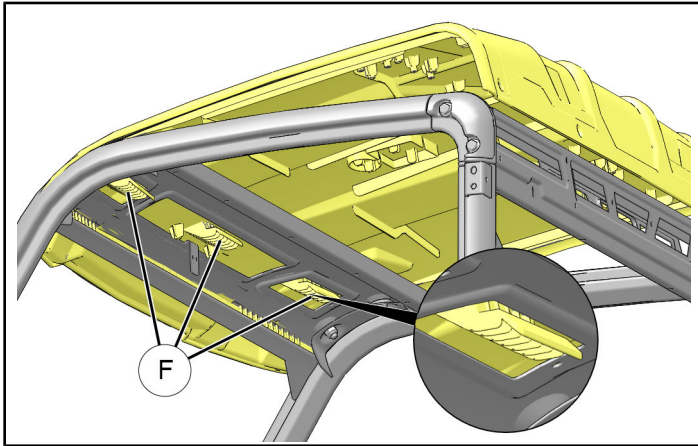
- i. Remove four screws (E) from rear edge of roof panel. Retain screws.



- ii. Observe how roof panel is locked to ROPS at three front hooks (F) and two rear hooks (G). Slightly flex rear edge of roof panel to unlock rear hooks from B-pillar cross member, then lift roof above cross-member.



- iii. Slide roof panel forward until three front hooks (F) unlock from ROPS visor, then lift roof away from ROPS and set aside.



- b. Connect visor audio to speakers.

**IF DOOR AND ROOF SPEAKERS ARE BEING INSTALLED:**

Leave splitter harnesses in place. Join connectors as follows:

DOOR SPEAKER	ROOF SPEAKER	SPLITTER HARNESS
Join RH door connector 7A (GRAY wires)	and RH roof connector (PURPLE wires)	to RH splitter (GRAY wires)*
Join LH door connector 7B (WHITE wires)	and LH roof connector (GREEN wires)	to LH splitter (WHITE wires)**

- \* Opposite end of splitter pre-connected to RH visor audio connector (H)
- \*\* Opposite end of splitter pre-connected to LH visor audio connector (J)

**IF ONLY DOOR SPEAKERS ARE BEING INSTALLED:**

Splitter harnesses can be removed. Join connectors as follows:

- i. RH connector 7A (GRAY wires) to RH visor audio connector (H)
- ii. LH connector 7B (WHITE wires) to LH visor audio connector (J)

- c. Secure harness (7) to rear edge of center visor cutout using two edge clips 7C.
- d. Reinstall roof. See Step 2b for detail. Do not reinstall rear roof liner at this time.

3. Route harness.

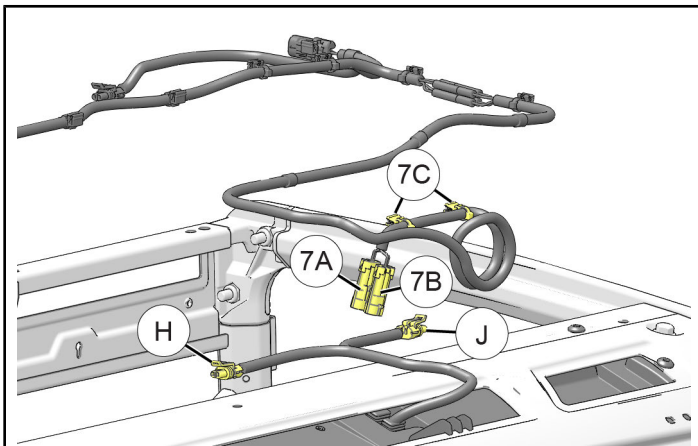
**NOTE**

See previous section, **HARNESS DETAIL**, for connector identification.  
Conduit (8) not used in this application.

- a. Identify **RH SPEAKER** connector (H) and **LH SPEAKER** connector (J) above (and coming from) visor audio unit. Remove caps from connectors (if installed).

**NOTE**

Splitter harnesses come pre-attached to connectors (H) and (J) (not shown).  
Splitter harnesses enable audio signal distribution to **BOTH** this Door Speaker Kit AND Rear Roof Speaker Kit (PN 2882876, sold separately).



**IMPORTANT**

Ensure harnesses are not pinched and do not contact sharp edges.



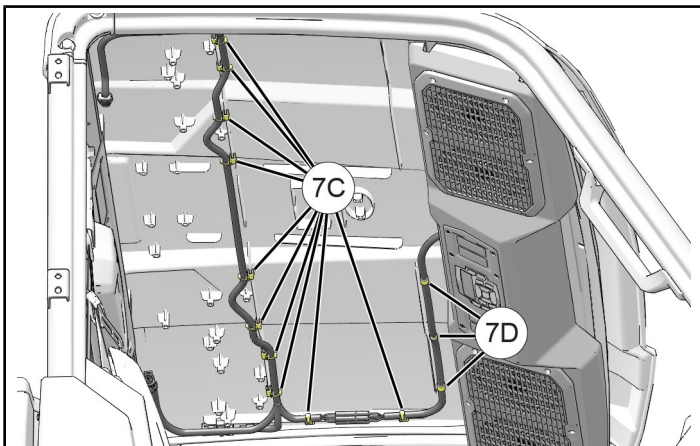
- e. Route opposite end of harness ⑦ outboard towards LH A-pillar, rearward along ROPS, then across lower surface of roof towards RH side.

Secure harness to roof as follows:

- i. Three edge clips ⑩ at white tape locations 7D
- ii. Ten edge clips 7C

**NOTE**

Do not detach bullet connectors 7E through 7M. Connectors are provided for alternate installation procedure not relevant for this application.



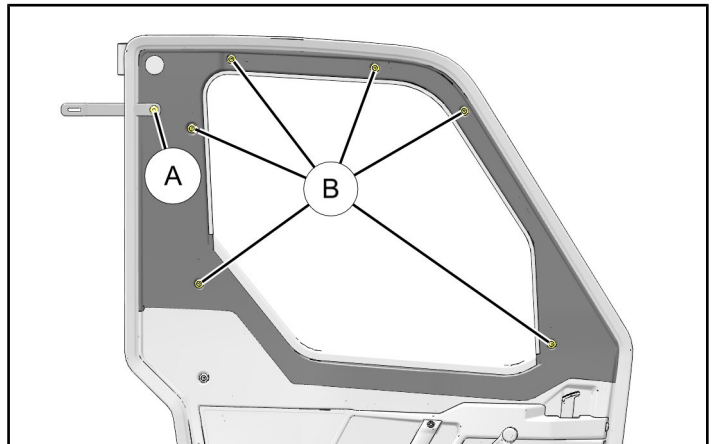
4. Proceed to **DOOR HARNESS AND SPEAKER INSTALLATION.**

**DOOR HARNESS AND SPEAKER INSTALLATION**

**NOTE**

Unless otherwise noted the following steps apply to doors with either MANUAL or POWER windows.

- 1. Gain access.
  - a. **MANUAL WINDOW DOORS ONLY:** Remove upper panel by removing one screw ① from limiter strap, and five screws ② from panel. Allow strap to dangle from vehicle side retaining post. Set panel aside. Retain screws.



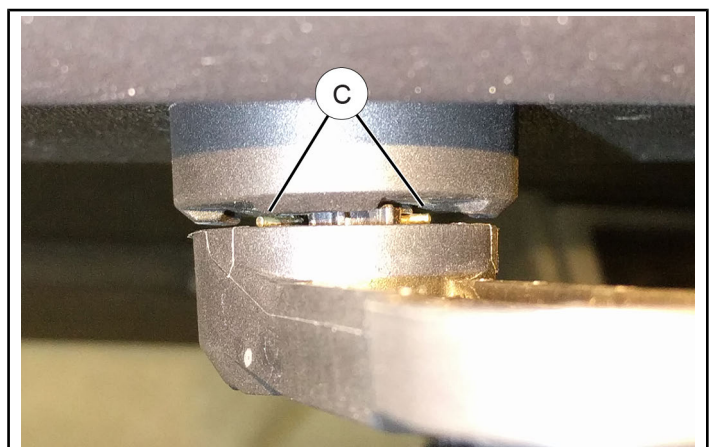
- b. **MANUAL WINDOW DOORS ONLY:** Remove window crank handle by removing retaining clip (wire) ③.

**NOTE**

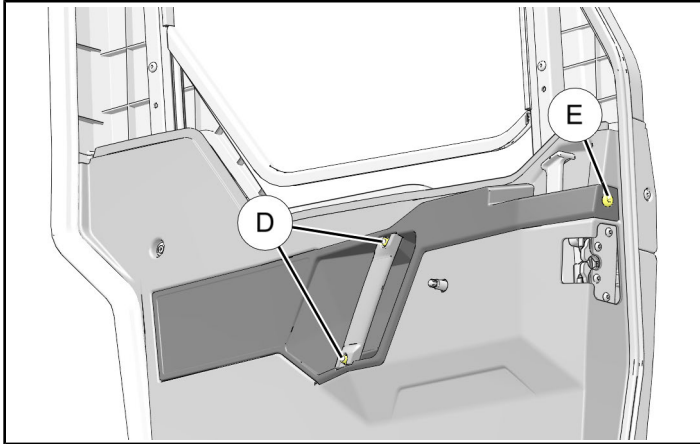
View looking down at handle.

**TIP**

Use pick or hook to grasp and remove clip from opposite side.

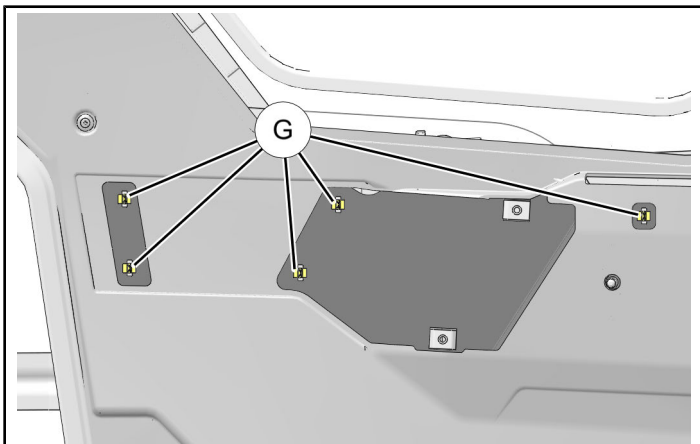
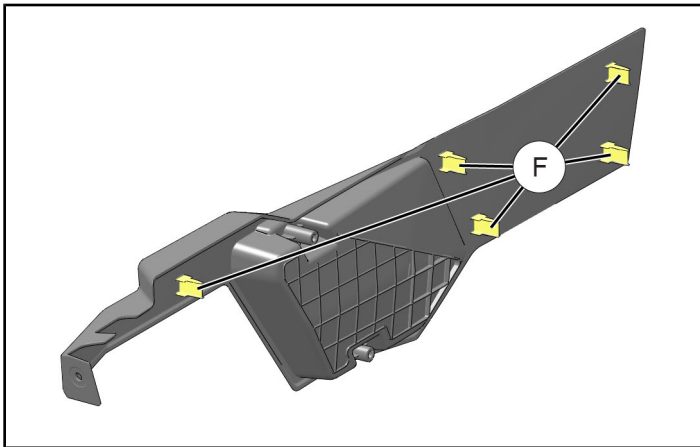


- c. Remove two screws ① from grab handle, and one screw ② from forward side of center panel. Remove handle. Retain screws.

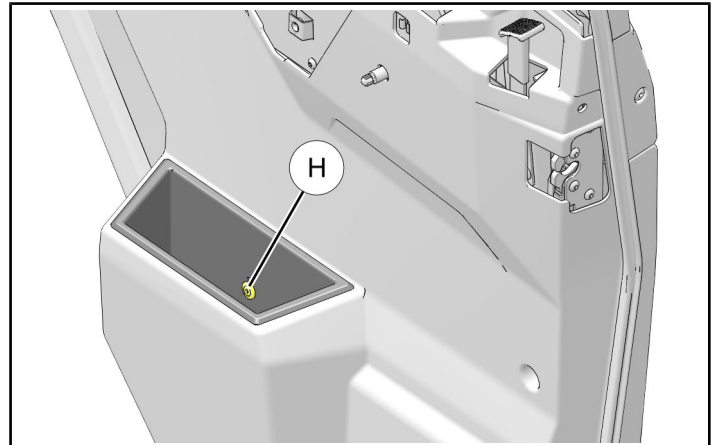


- d. Remove center panel by carefully pulling it away from door, disengaging five retaining tabs ③ from corresponding clips ④. Disconnect power window switch(es) (if applicable). Set panel aside. Retain screws.

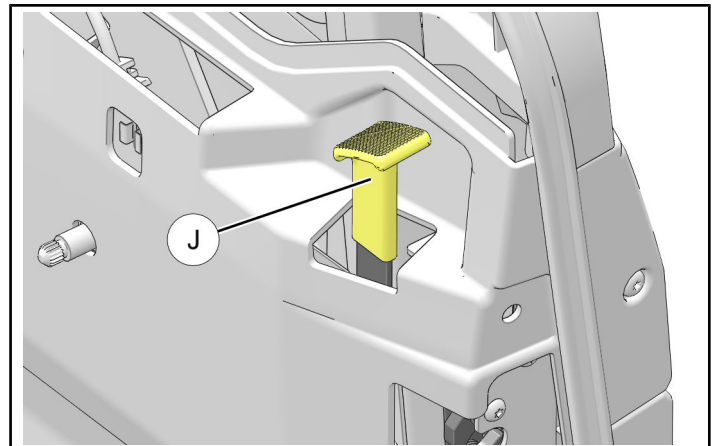
**NOTE**  
Manual window center panel shown; power window center panel similar.



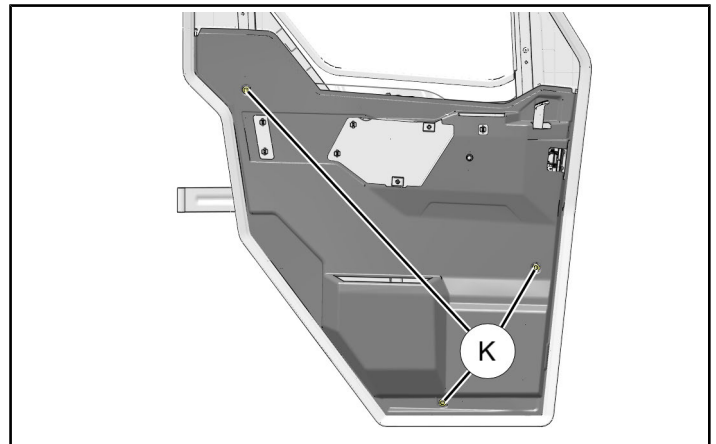
- e. Remove storage bin by removing one screw ⑤. Set bin aside. Retain screw.



- f. Remove door latch handle ⑥ by lifting straight up.



- g. Remove lower panel by removing three screws ⑦. Set panel aside. Retain screws.

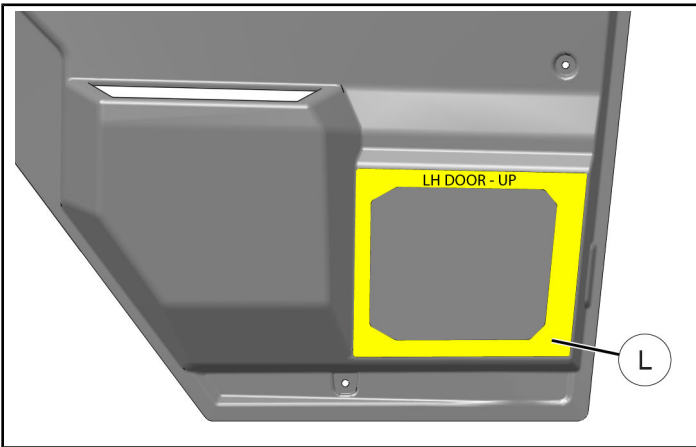


2. Cut speaker hole in lower panel.  
a. Detach template pages located at end of this instruction.  
b. Locate REFERENCE DIMENSION on each template page. Verify templates were printed to proper scale by using ruler to verify REFERENCE DIMENSION is exactly 5 inches.

## IMPORTANT

If your measurement is not exactly 5 inches, then reprint template page from electronic file using print setting “**Actual Size**” (not “Fit”) to obtain 1:1 scale. Electronic file available from your **Authorized Polaris Dealer**.

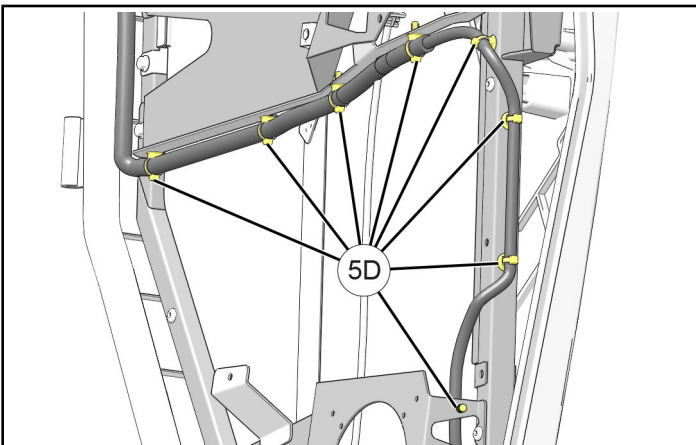
- c. Carefully cut out each template along both interior and exterior lines. Final result will approximate a square ring.
- d. Secure template ring ① to INTERIOR surface of lower door panel, aligning all four outside edges as shown. Ensure appropriate template is used (**LH DOOR** or **RH DOOR**) and template is oriented properly (**UP**).



- e. Mark INTERIOR opening of template on door panel, then remove template.
  - f. Cut speaker opening in door panel along marked lines. Deburr as required.
3. **MANUAL WINDOW DOORS ONLY:** Install door harness ⑤ to door structure using eight routing clips 5D.

## NOTE

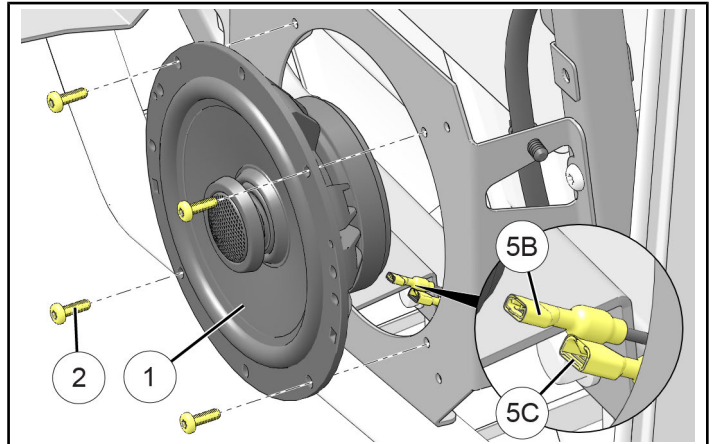
See previous section, **HARNES DETAIL**, for connector identification.



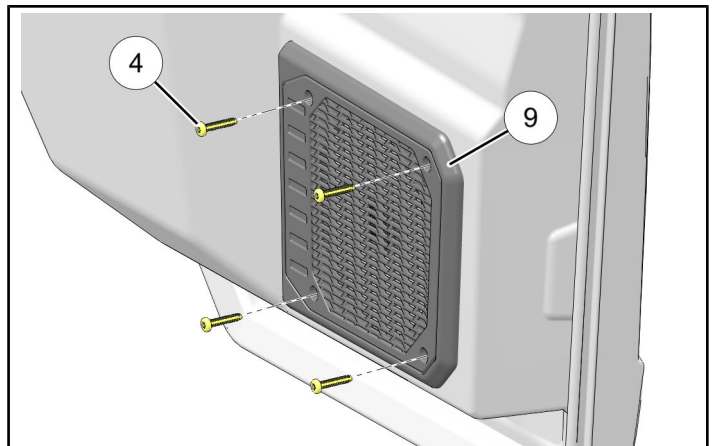
4. Install speaker.
  - a. Join connector 5B (3/16 inch spade) on door harness ⑤ to positive (+) terminal on speaker ①.

## NOTE

Manual window door harness shown; power window door harness (pre-installed) similar.



- b. Join connector 5C (1/4 inch spade) on door harness ⑤ to negative (-) terminal on speaker ①.
  - c. Install speaker ① to door frame using four 15 mm screws ②.
5. Reinstall lower and center panels to door frame, including grab handle, window crank handle or power window switches (as applicable), storage bin, and door latch handle.
- See Step 1b through 1g in this section (**DOOR HARNES AND SPEAKER INSTALLATION**).
6. Install speaker grille using four 25 mm screws ④.
- **LH DOOR:** Use speaker grille ⑨.
  - **RH DOOR:** Use speaker grille ③.

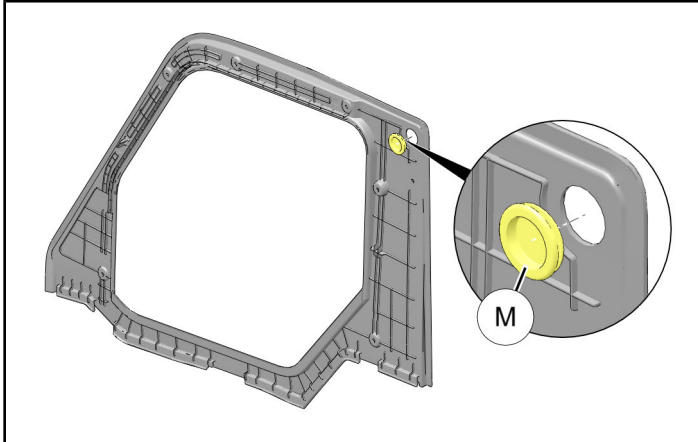


7. **MANUAL WINDOW DOORS ONLY:** Install jumper harness.

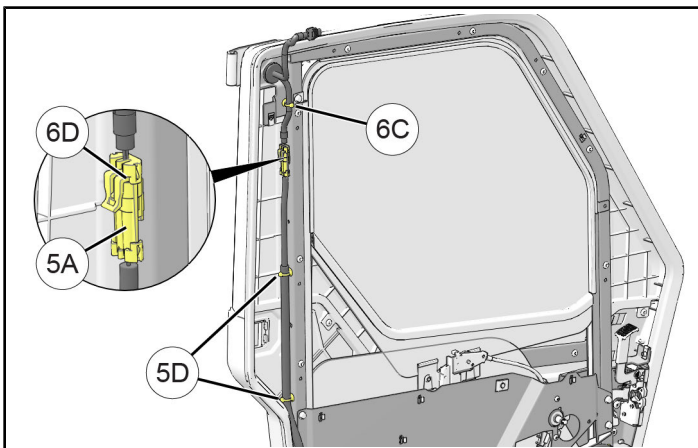
**NOTE**

See previous section, **HARNESS DETAIL**, for connector identification.

- a. Remove filler plug **M** from upper rear corner of upper panel. Plug will not be reused.



- b. Join connector 5A on door harness **5** to connector 6D on jumper harness **6**, then secure connectors to door frame using integral routing clip.

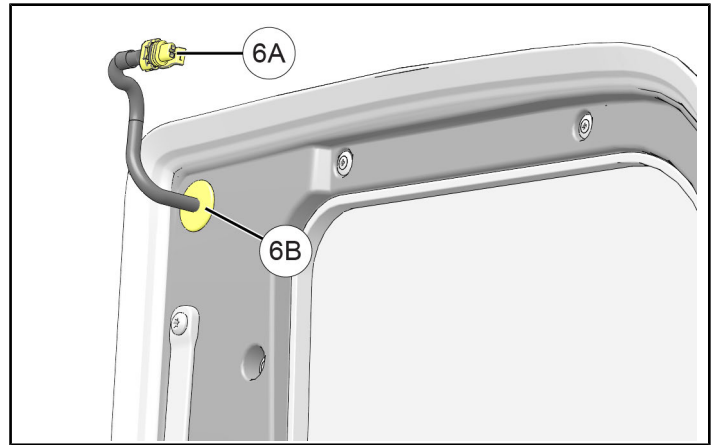


- c. Secure remainder of door harness **5** to door structure using two routing clips 5D.
- d. Secure jumper harness **6** to door structure using one routing clip 6C.
- e. Holding upper panel near door, route connector 6A on jumper harness **6** through hole, install grommet 6B, then reinstall upper panel to door frame (including limiter strap).

See Step 1a in this section (**DOOR HARNESS AND SPEAKER INSTALLATION**).

**NOTE**

Coiled portion of harness not shown.

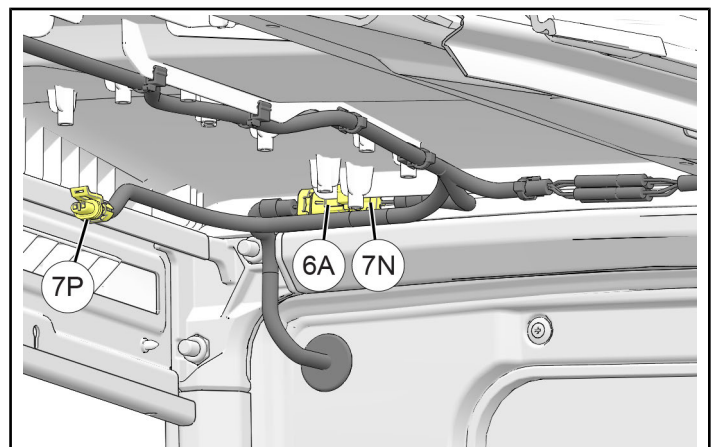


8. Connect signal harness.

**MANUAL WINDOW DOORS ONLY:**

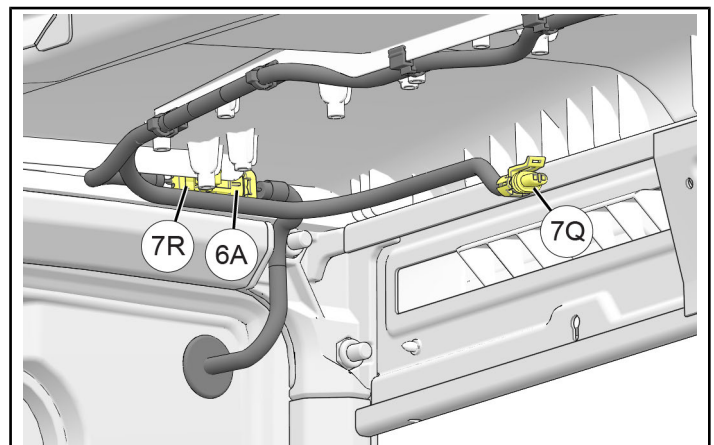
- **LH DOOR:** Join connector 6A on jumper harness **6** (identified as: **ROOF**) to connector 7N on signal harness **7** (identified as: **LH DOOR**).

Connector 7P is not used in this application.



- **RH DOOR:** Join connector 6A on jumper harness **6** (identified as: **ROOF**) to connector 7R on signal harness **7** (identified as: **RH DOOR**).

Connector 7Q is not used in this application.



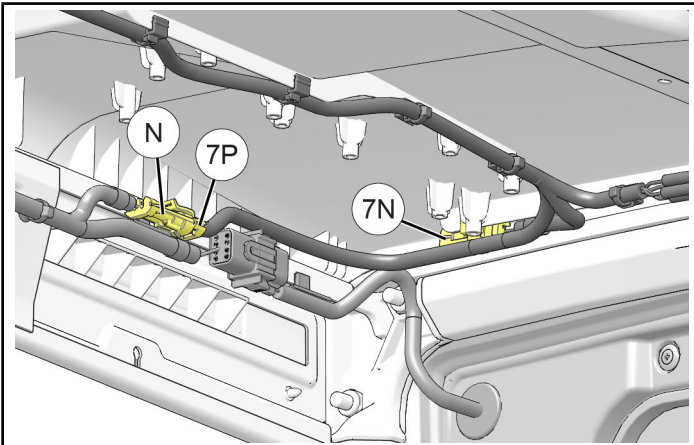
## POWER WINDOW DOORS ONLY:

### NOTE

Crossover harness included in Power Window Door Kit PN 2882562 (sold separately).

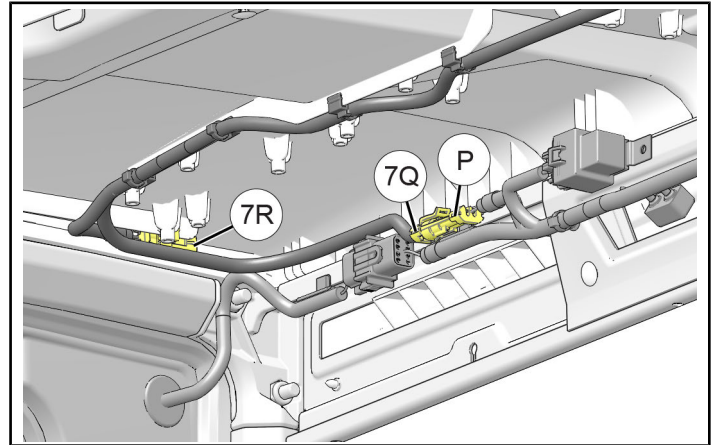
- **LH DOOR:** Remove cap from connector **(N)** on crossover harness (identified as: **LH DOOR SPEAKER**), then join to connector 7P on signal harness **(7)**.

Connector 7N is not used in this application.



- **RH DOOR:** Remove cap from connector **(P)** on crossover harness (identified as: **RH DOOR SPEAKER**), then join to connector 7Q on signal harness **(7)**.

Connector 7R is not used in this application.



9. Repeat Steps 1–8 for RH door.
10. Reinstall rear roof liner, instrument cluster, and roof (as applicable).

See Step 1 of section: **SIGNAL HARNESS INSTALLATION - DASH AUDIO SOURCE UNIT** or **SIGNAL HARNESS INSTALLATION - VISOR AUDIO SOURCE UNIT**.

11. If applicable, reconnect black negative (-) cable to battery, then reinstall under-seat storage compartment and driver's seat.

## FEEDBACK FORM

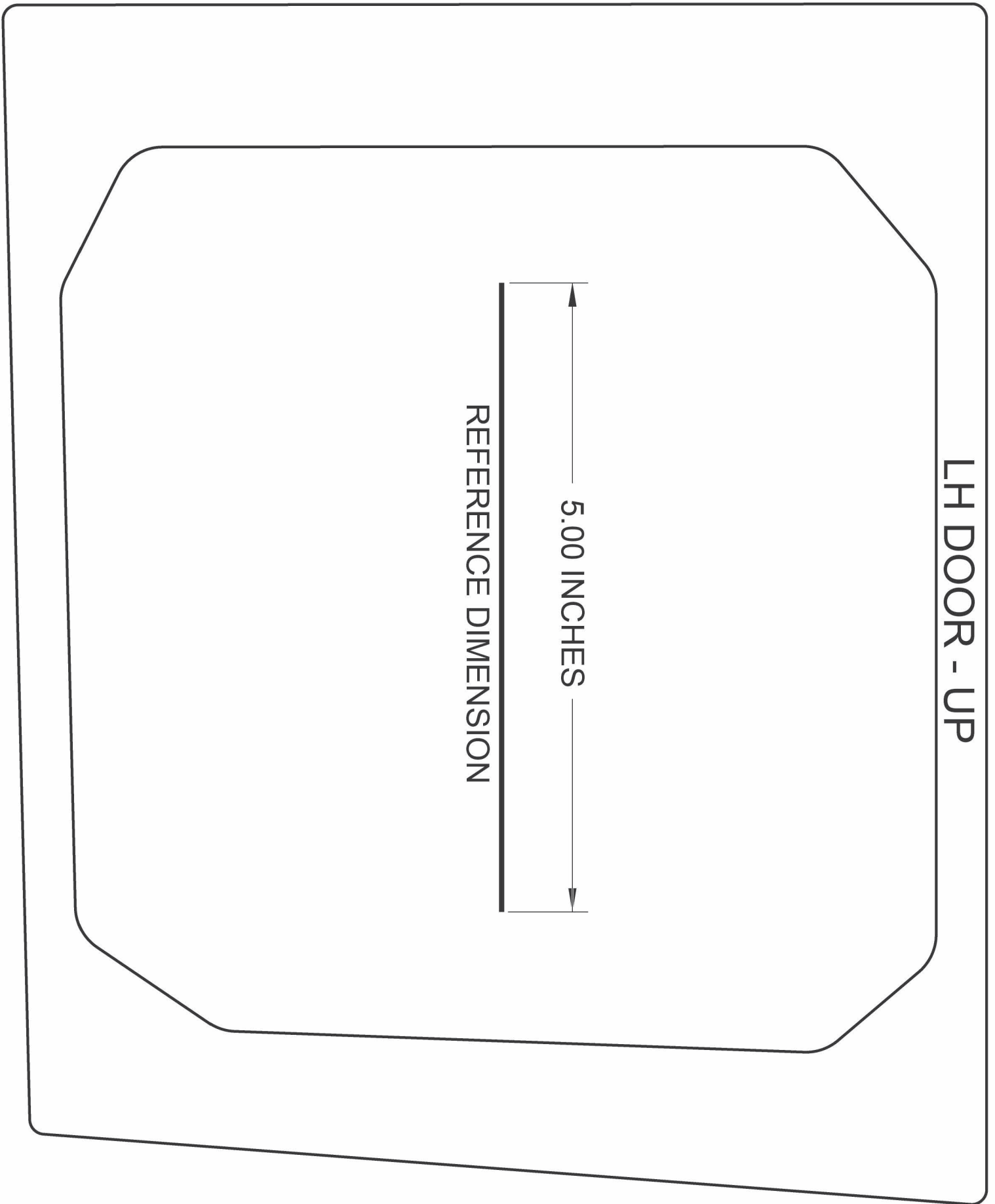
A feedback form has been created for the installer to provide any comments, questions or concerns about the installation instructions. The form is viewable on mobile devices by scanning the QR code or by clicking [HERE](#) if viewing on a PC.

### FEEDBACK FORM



**THIS PAGE INTENTIONALLY BLANK**

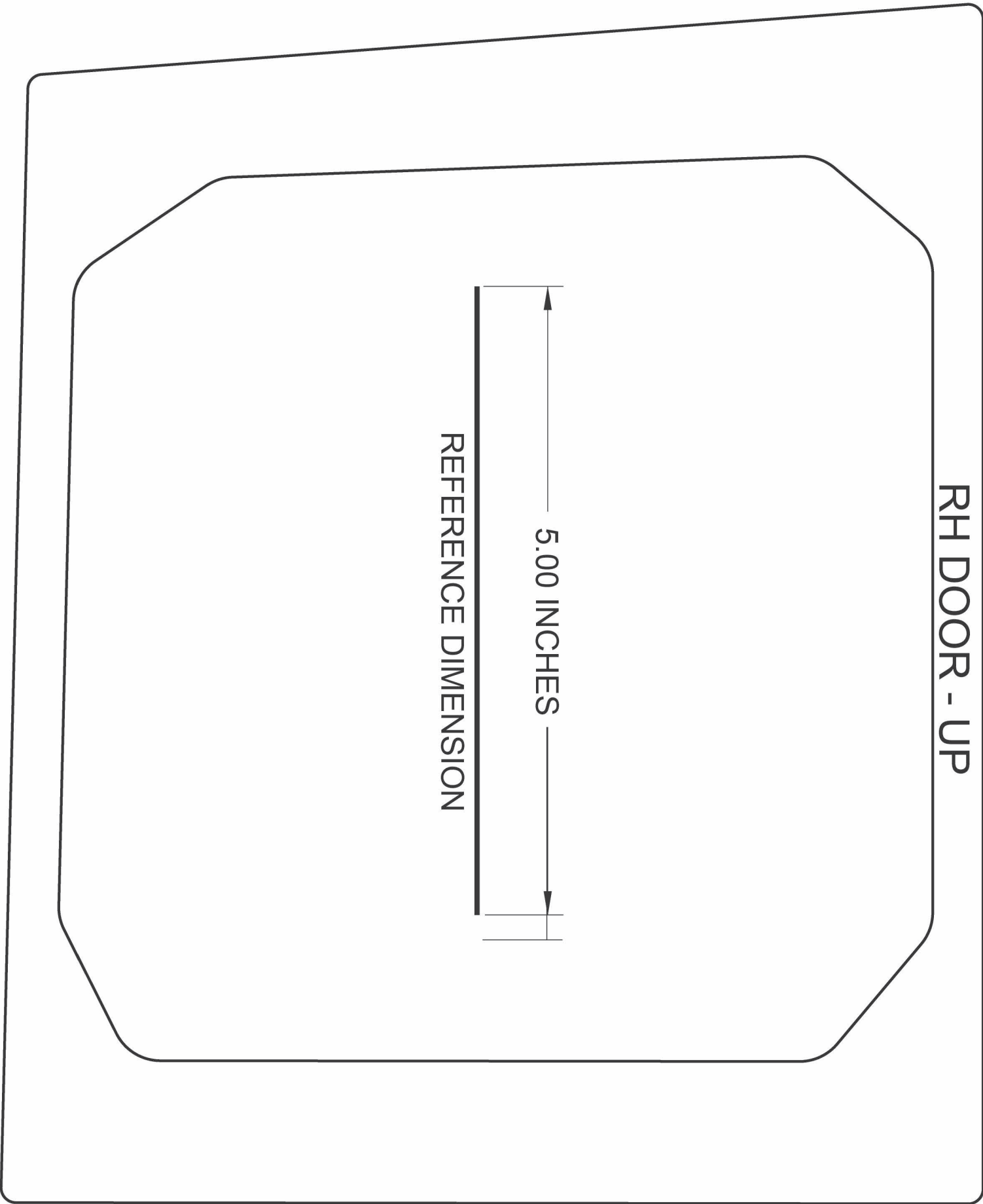
# LH DOOR SPEAKER TEMPLATE (1:1 SCALE)



**THIS PAGE INTENTIONALLY BLANK; TEMPLATE ON PREVIOUS PAGE**



# RH DOOR SPEAKER TEMPLATE (1:1 SCALE)



**THIS PAGE INTENTIONALLY BLANK; TEMPLATE ON PREVIOUS PAGE**