

ROOF POWER KIT



P/N 2882904

APPLICATION

Verify accessory fitment at Polaris.com.

BEFORE YOU BEGIN

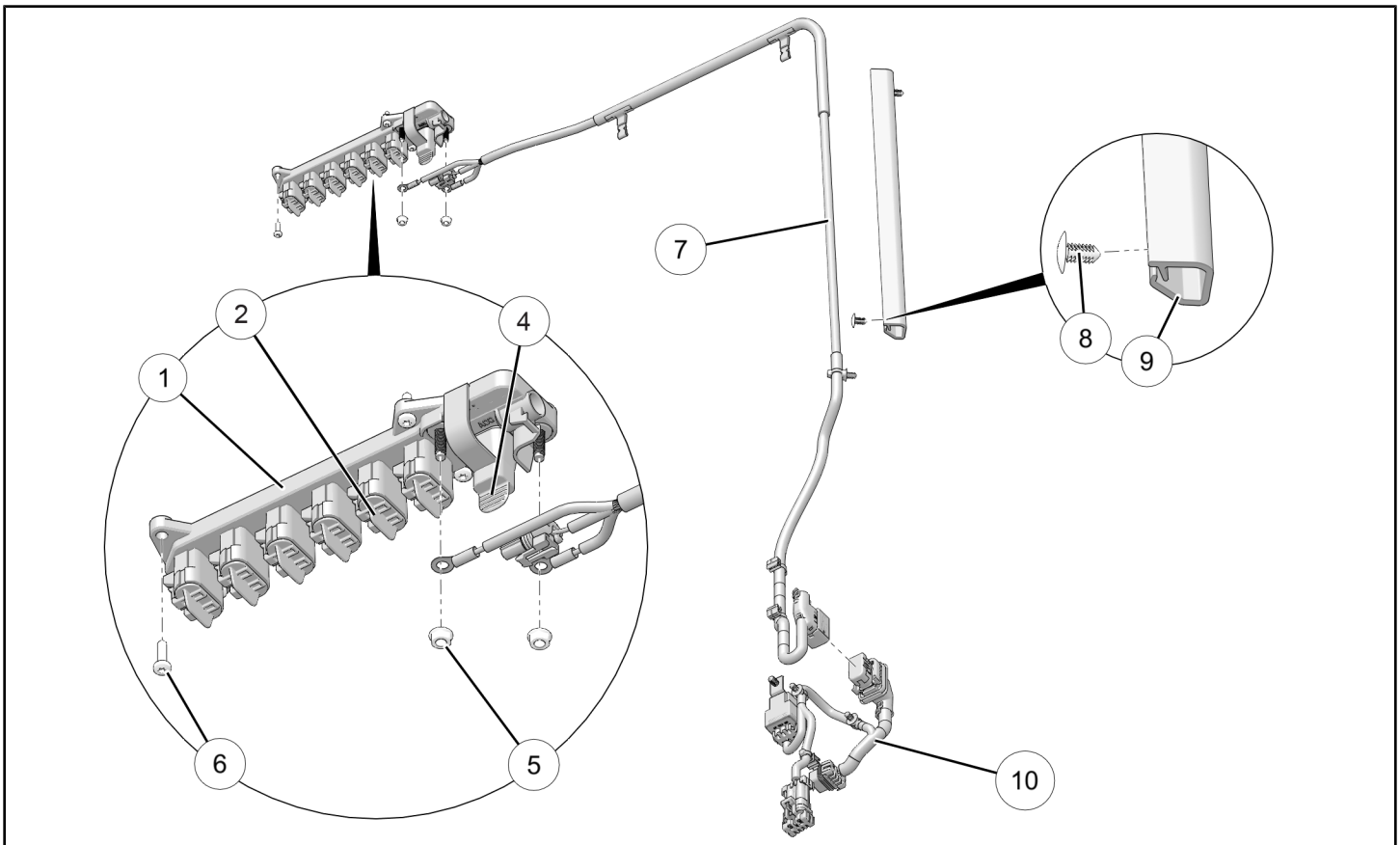
Read these instructions and check to be sure all parts and tools are accounted for. Please retain these installation instructions for future reference and parts ordering information.

KIT CONTENTS

This kit contains parts for installation of the Roof Power Kit only. Prior installation of one of the following additional kits is also required (sold separately):

- Premium Roof Kit, PN 2882912 or 2882913
- Poly Roof Kit, PN 2882911
- Other compatible roof kit

This Kit includes:



REF	QTY	PART DESCRIPTION	PART NUMBER
1	1	Terminal Block, Accessory (includes items 2–4)	4016007
2	6	. Plug	5454283
3	1	. Fuse, 40A (not shown)	4013891
4	1	. Cover, Fuse	5454284

REF	QTY	PART DESCRIPTION	PART NUMBER
5	2	Nut, Hex Flange, Serrated - M6	7547270
6	4	Screw, Torx® Pan Head, High/Low - #14 X 3/4	7519731
7	1	Harness, ROPS	2414243
8	2	Push Dart	7670088
9	1	Conduit, Routing	5416632
10	1	Harness, Rear Firewall	2414073
	1	Instructions	9928186

TOOLS REQUIRED

- Safety Glasses
- Cutting Tool
- Deburring Tool
- Drill
- Drill Bit: 1/4 inch (6 mm)
- Push Dart (Panel Clip) Tool*
- Screwdriver Set, Phillips*
- Screwdriver Set, Torx®
- Socket Set, Metric
- Wrench Set, Metric

* Tool requirement dependent on specific installation.

IMPORTANT

Your Roof Power Kit is exclusively designed for your vehicle. Please read the installation instructions thoroughly before beginning. Installation is easier if the vehicle is clean and free of debris. For your safety, and to ensure a satisfactory installation, perform all installation steps correctly in the sequence shown.

ASSEMBLY TIME

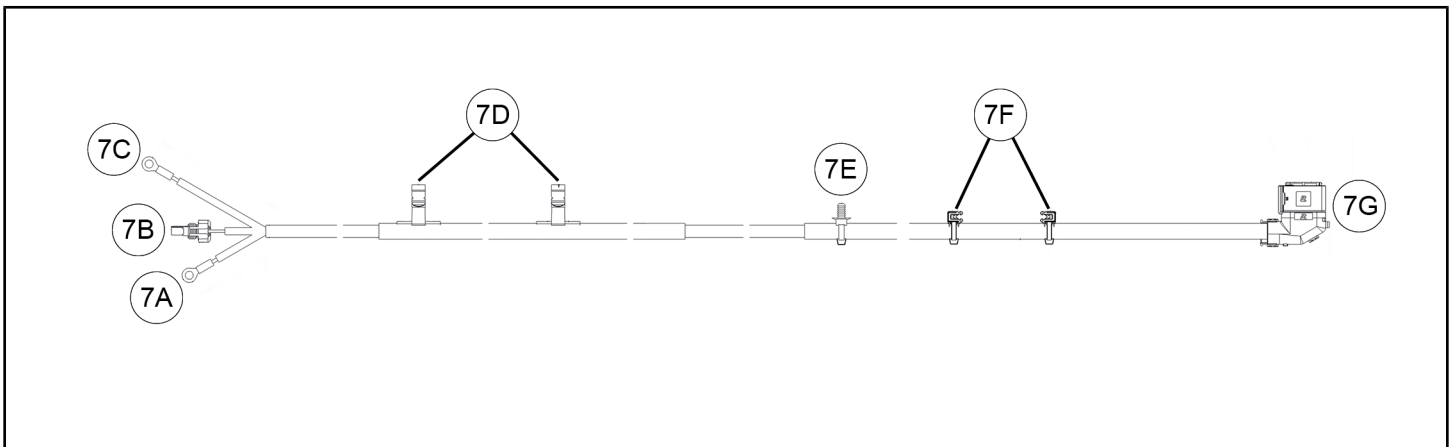
Approximately 35 minutes

NOTE

Additional time may be required for optional steps, or to accommodate other accessories.

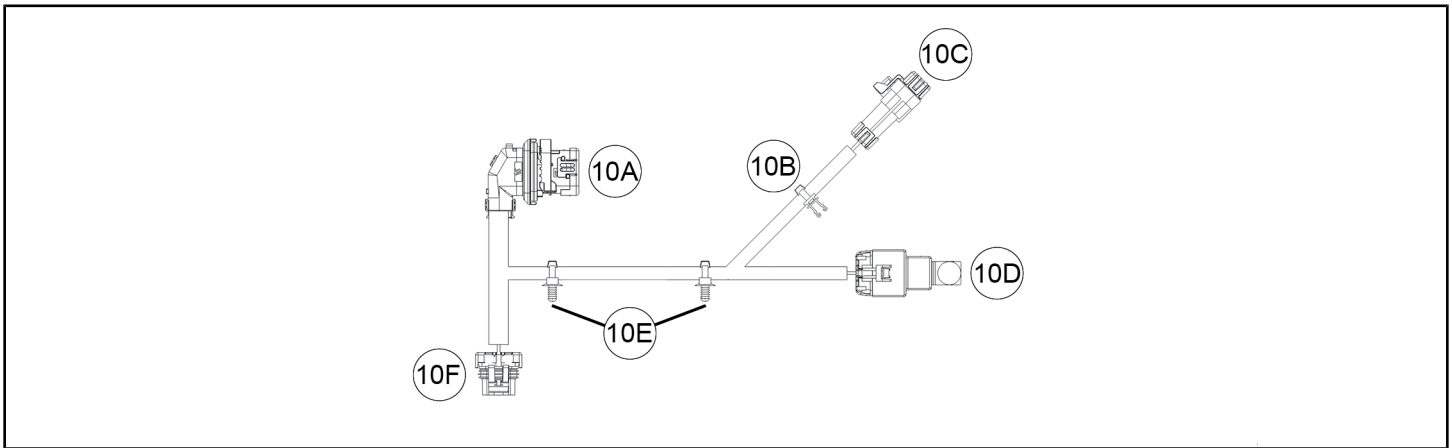
HARNESS DETAIL

ROPS HARNESS ⑦:



REF	PART DESCRIPTION	WIRE COLOR	PIN QTY/ GENDER	CONNECTS TO
7A	Ring Terminal, 1/4 inch (6 mm) ID (with boot)	Red	-	Accessory terminal block ①, stud BAT +
7B	Connector, Key Ignition	-	1 female	Accessory terminal block ①, connector ACC
7C	Ring Terminal, 1/4 inch (6 mm) ID	Black	-	Accessory terminal block ①, stud BAT -
7D	Clip, Edge (Spring)	-	-	Vehicle structure
7E	Clip, Routing	-	-	Vehicle structure
7F	Clip, Edge	-	-	Vehicle structure
7G	Connector, Chassis Cab Bulkhead, 90 degree	-	10 male	Rear firewall harness ⑩, connector 10A

REAR FIREWALL HARNESS ⑩:



REF	PART DESCRIPTION	WIRE COLOR	PIN QTY/ GENDER	CONNECTS TO
10A	Connector, Chassis Cab Bulkhead, 90 degree (with cap)	-	10 female	ROPS harness ⑦, connector 7G
10B	Clip, Edge	-	-	Vehicle structure
10C	Connector, Chassis Harness, Line Out (with cap)	-	7 male	Nothing (becomes new vehicle chassis connection point for other accessories; physically mounts to vehicle structure)
10D	Relay, Chassis (with nail clip)	-	-	Nothing (physically mounts to vehicle structure)
10E	Clip, Routing	-	-	Vehicle structure
10F	Connector, Chassis Harness, Line In	-	7 female	Vehicle chassis harness

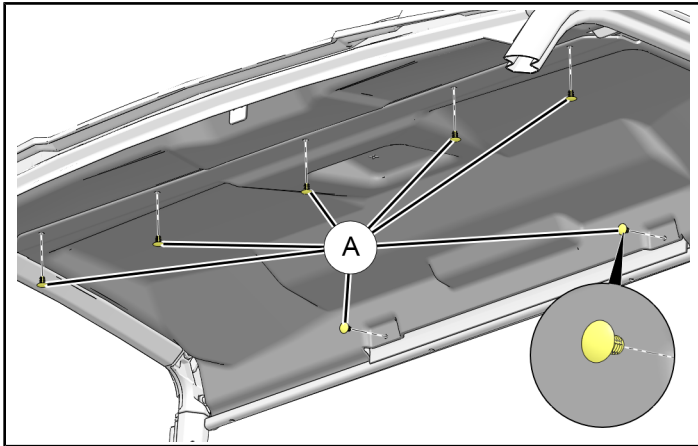
INSTALLATION INSTRUCTIONS

1. Shift vehicle transmission into "PARK". Turn key to "OFF" position and remove from vehicle.
2. Flip up passenger seat bottom, remove driver's seat and underseat storage compartment, then disconnect black negative (-) cable from battery.
3. Gain access.
 - a. Raise vehicle bed.
 - b. Remove rear roof liner (if installed).

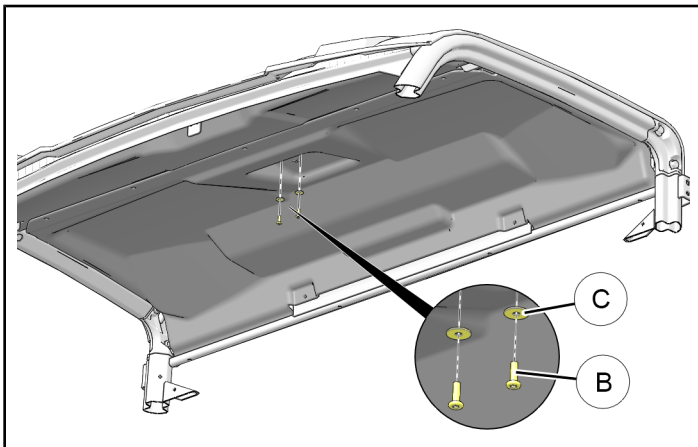
NOTE

Front roof liner can remain installed.

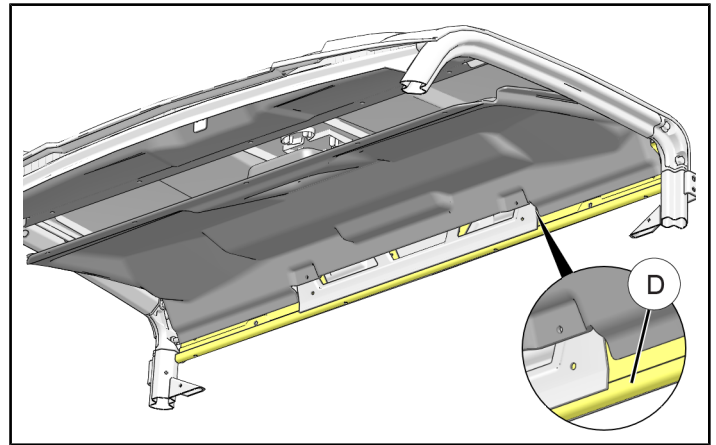
- i. Remove rear (roof mounted) speakers, if installed.
- ii. Remove seven push darts (A), two from rear edge and five from front edge. Retain push darts.



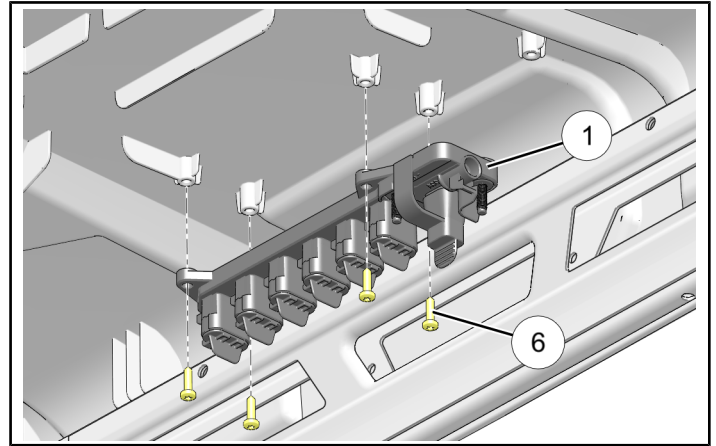
- iii. If overhead light is installed against liner, remove it. Otherwise, remove two each screws (B) and washers (C). Retain hardware.



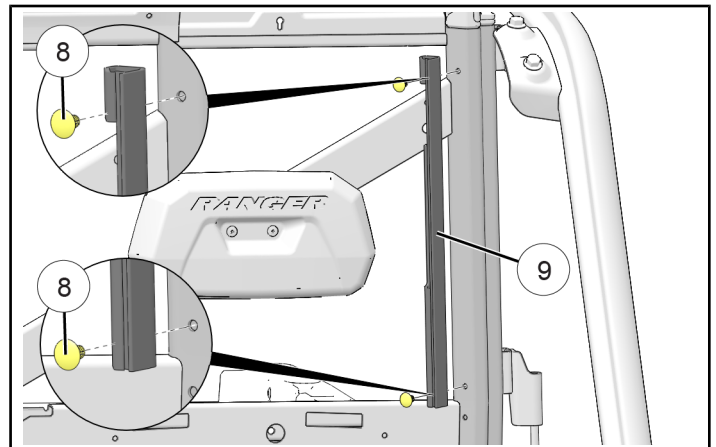
- iv. Carefully pull LH and RH edges of liner from between ROPS and roof seal, then remove rear edge of liner from roof support channel (D).



4. Install terminal block (1) to roof using four screws (6). Ensure terminal block is oriented with threaded battery studs on LH side of roof as shown. Do not over-tighten screws.



5. Carefully open conduit (9) to expose fastener holes, then push two darts (8) through holes. Do NOT install conduit to B-pillar until next step.



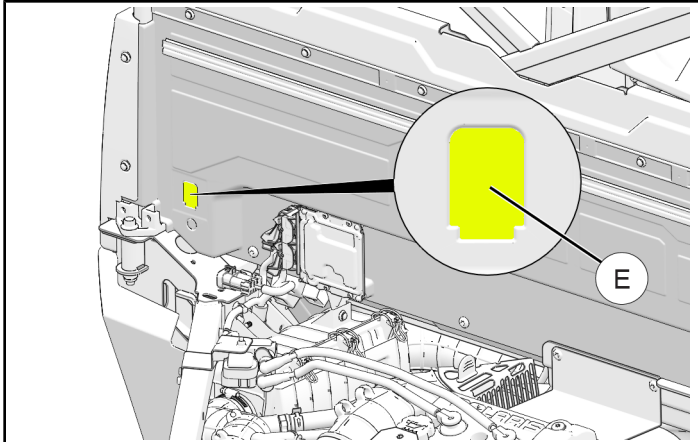
6. Clean B-pillar surface as required to ensure proper tape adhesion. Peel adhesive backing from conduit (9), push darts (8) into corresponding B-pillar holes, then press conduit firmly into place.

7. Install rear firewall harness ⑩.

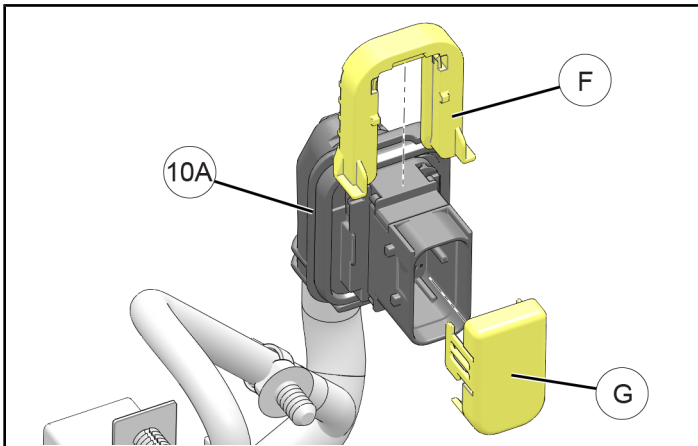
NOTE

See previous section, **HARNES DETAIL**, for connector identification.

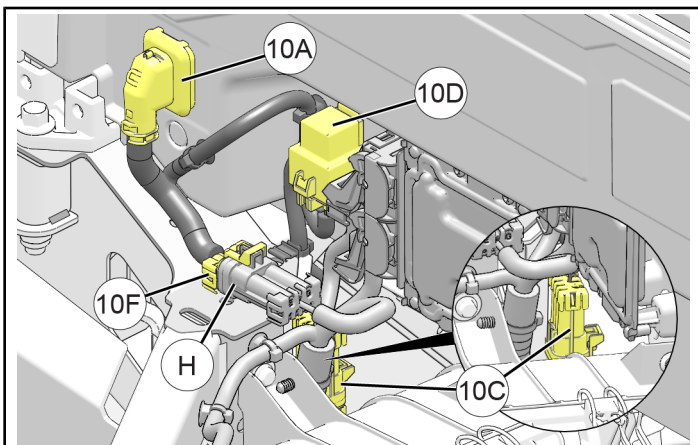
- a. Carefully cut opening ⑤ in rear close-off panel to allow installation of harness connector 10A. Deburr edges of opening as required.



- b. Remove locking clip ⑥ from connector 10A by sliding clip upward. Retain clip.



- c. Remove protective cap ⑦ from connector 10A.
d. Remove protective cap from existing chassis harness connector ⑧, then join to mating connector 10F.



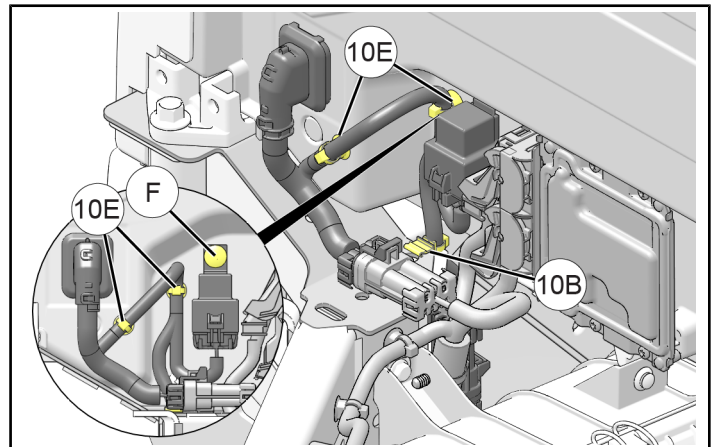
- e. Temporarily insert connector 10A into newly cut opening. It is not necessary to reinstall locking clip ⑥ at this time.
f. Hold connector 10C and chassis relay 10D in final positions, then mark and drill three 1/4 inch (6 mm) holes in rear close-off panel:
 - Two holes for routing clips 10E
 - One hole for nail clip ⑥ (on top of relay 10D)

IMPORTANT

Control drill depth to prevent damage to underlying structure or components.

NOTE

Specific hole location is not critical as long as chassis relay 10D fits into recessed cavity in panel.



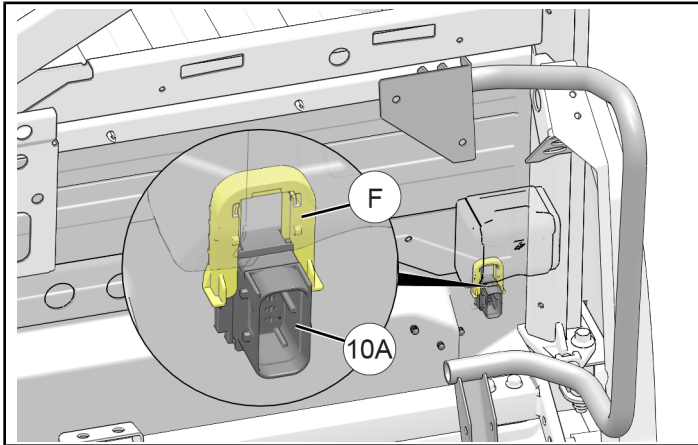
- g. Secure rear firewall harness ⑩ to rear close-off panel using two routing clips 10E, nail clip ⑥, and edge clip 10B.

- h. Re-insert connector 10A into opening (if removed during drilling), then reinstall locking clip **F** to secure connector to close-off panel.

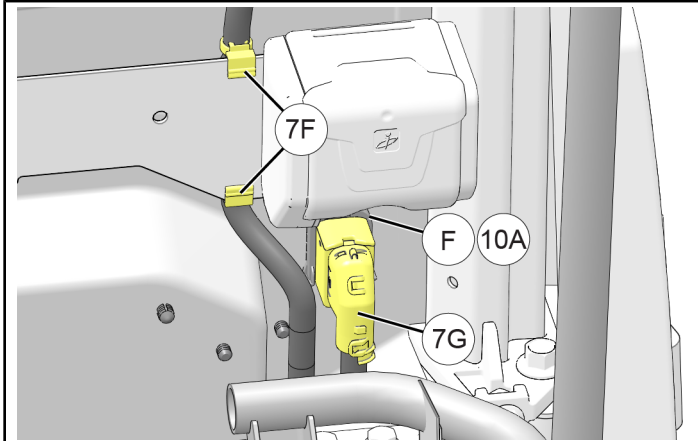
If locking clip binds in mating connector slot, ensure connector is fully inserted into opening so locking clip can be installed straight down.

NOTE

Seatbelt retractor and associated mounting bracket shown transparent for clarity.

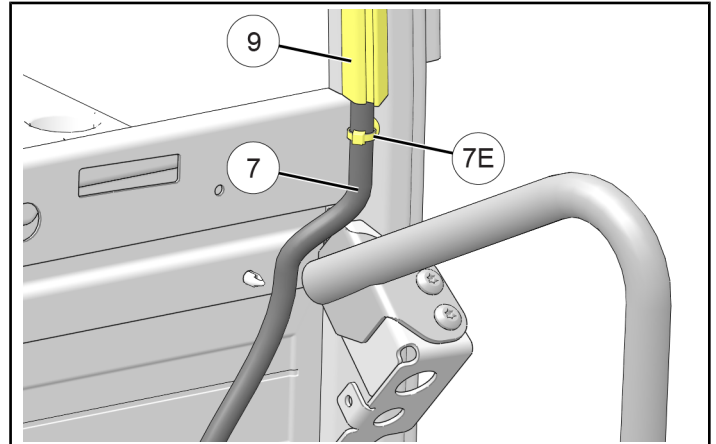


8. Install ROPS harness **7**.
- a. Join connector 7G on ROPS harness **7** to connector 10A on rear firewall harness **10**.

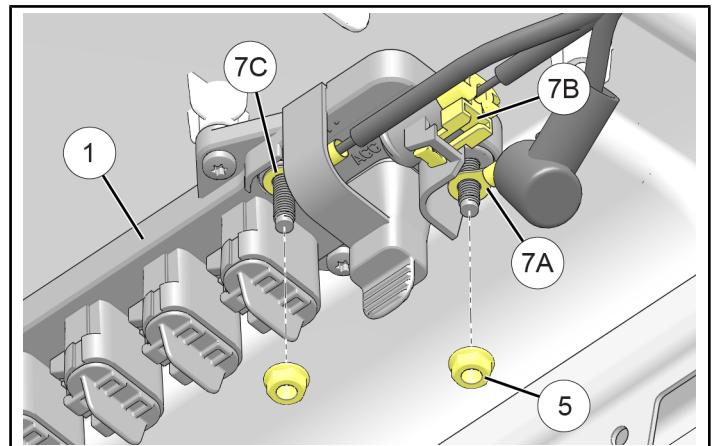


- b. Route opposite end of ROPS harness **7** behind seatbelt retractor mounting bracket upwards toward roof, then secure to bracket using two edge clips 7F.

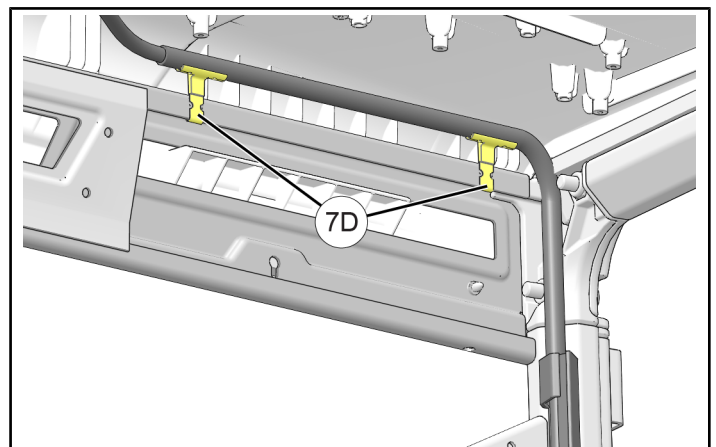
- c. Insert ROPS harness **7** into routing conduit **9**, then secure harness to ROPS B-pillar (at lower end of conduit) using routing clip 7E.



- d. Join connector 7B to mating connector identified as **ACC** on terminal block **1**.



- e. Install ring terminals to terminal block **1** using nuts **5** as follows:
- Ring terminal 7A (**RED** wire/heat shrink tubing) to post identified as **BAT +**; install boot over post
 - Ring terminal 7C (**BLACK** wire/heat shrink tubing) to post identified as **BAT -**
- f. Secure ROPS harness **7** to ROPS roof support using two edge clips 7D.



9. Restore access.
10. Reconnect black negative (-) cable to battery, then reinstall under-seat storage compartment and driver's seat.

FEEDBACK FORM

A feedback form has been created for the installer to provide any comments, questions or concerns about the installation instructions. The form is viewable on mobile devices by scanning the QR code or by clicking [HERE](#) if viewing on a PC.

